

Safety rules for the construction and installation of lifts —

Part 1: Electric lifts

ICS 91.140.90

National foreword

This British Standard is the UK implementation of EN 81-1:1998+A3:2009, incorporating corrigendum September 1999. It supersedes BS EN 81-1:1998, which will be withdrawn on 12 May 2011, and BS 5655-1:1986, which has been declared obsolescent.

The start and finish of text introduced or altered by amendment is indicated in the text by tags. Tags indicating changes to CEN text carry the number of the CEN amendment. For example, text altered by CEN amendment A1 is indicated by **A1** **A1**.

The start and finish of text introduced or altered by corrigendum is indicated in the text by tags. Text altered by CEN corrigendum September 1999 is indicated in the text by **AC1** **AC1**.

The UK participation in its preparation was entrusted by Technical Committee, MHE/4, Lifts, hoists and escalators.

A list of organizations represented on this committee can be obtained on request to its Secretary.

EN 81-1:1998+A3:2009 is a “harmonized” European Standard and fully takes into account the requirements of the Lift Directive (95/16/EC). EN 81-1:1998+A3:2009 and EN 81-1:1998 will have a transition period of eighteen months in which they will co-exist. It is intended that this period will allow manufacturers time to develop new products to meet the requirements contained in the A3 amendment. Based on this transition period, BS EN 81-1:1998 will be withdrawn in May, 2011.

Following the implementation of the Lift Directive on 1 July 1999, BS 5655-1:1986, together with BS 5655-11:1989, will apply only for modernization of existing lift installations. For all new installations this Standard will apply.

This publication does not purport to include all the necessary provisions of a contract. Users are responsible for its correct application.

Compliance with a British Standard cannot confer immunity from legal obligations.

Amendments/corrigenda issued since publication

Amd. No.	Date	Comments
10809 Corr. No. 1	March 2000	Implementation of CEN corrigendum September 1999
15794	March 2006	Implementation of CEN amendments A1:2005 and A2:2004
	31 March 2010	Implementation of CEN amendment A3:2009

This British Standard was published under the authority of the Standards Policy and Strategy Committee on 15 November 1998

© BSI 2010

ISBN 978 0 580 64221 0

English Version

Safety rules for the construction and installation of lifts - Part 1: Electric lifts

Règles de sécurité pour la construction et l'installation des ascenseurs - Partie 1: Ascenseurs électriques

Sicherheitsregeln für die Konstruktion und den Einbau von Aufzügen - Teil 1: Elektrisch betriebene Personen- und Lastenaufzüge

This European Standard was approved by CEN on 21 February 1998 and includes Corrigendum 1 issued by CEN on 22 September 1999, Amendment 1 approved by CEN on 13 May 2005, Amendment 2 approved by CEN on 22 April 2004 and Amendment 3 approved by CEN on 13 August 2009.

CEN members are bound to comply with the CEN/CENELEC Internal Regulations which stipulate the conditions for giving this European Standard the status of a national standard without any alteration. Up-to-date lists and bibliographical references concerning such national standards may be obtained on application to the CEN Management Centre or to any CEN member.

This European Standard exists in three official versions (English, French, German). A version in any other language made by translation under the responsibility of a CEN member into its own language and notified to the CEN Management Centre has the same status as the official versions.

CEN members are the national standards bodies of Austria, Belgium, Bulgaria, Cyprus, Czech Republic, Denmark, Estonia, Finland, France, Germany, Greece, Hungary, Iceland, Ireland, Italy, Latvia, Lithuania, Luxembourg, Malta, Netherlands, Norway, Poland, Portugal, Romania, Slovakia, Slovenia, Spain, Sweden, Switzerland and United Kingdom.



EUROPEAN COMMITTEE FOR STANDARDIZATION
COMITÉ EUROPÉEN DE NORMALISATION
EUROPÄISCHES KOMITEE FÜR NORMUNG

Management Centre: Avenue Marnix 17, B-1000 Brussels

Contents

Page

Foreword.....	6
Introduction	8
1 Scope	11
2 Normative references	12
3 Terms and definitions	14
4 Units and symbols	17
4.1 Units	17
4.2 Symbols	17
5 Lift well.....	18
5.1 General provisions	18
5.2 Well enclosure.....	18
5.3 Walls, floor and ceiling of the well	21
5.4 Construction of the walls of lift wells and landing doors facing a car entrance	22
5.5 Protection of any spaces located below the car, the counterweight or the balancing weight.....	23
5.6 Protection in the well.....	23
5.7 Headroom and pit	24
5.8 Exclusive use of the lift well	26
5.9 Lighting of the well	26
5.10 Emergency release	26
6 Machinery and pulley spaces	27
6.1 General provisions	27
6.2 Access	27
6.3 Machinery in machine room	27
6.4 Machinery inside the well	29
6.5 Machinery outside of the well.....	34
6.6 Devices for emergency and test operations	35
6.7 Construction and equipment of pulley spaces.....	36
7 Landing doors	37
7.1 General provisions	37
7.2 Strength of doors and their frames.....	38
7.3 Height and width of entrances	39
7.4 Sills, guides, door suspension.....	39
7.5 Protection in relation to door operation	39
7.6 Local lighting and “car here” signal lights	41
7.7 Locking and closed landing door check	42
7.8 Closing of automatically operated doors.....	45
8 Car, counterweight and balancing weight	45
8.1 Height of car	45
8.2 Available car area, rated load, number of passengers	45
8.3 Walls, floor and roof of the car	47
8.4 Apron	48
8.5 Car entrance	48
8.6 Car doors	48
8.7 Protection during operation of doors.....	50
8.8 Reversal of closing movement.....	51
8.9 Electrical device for proving the car doors closed	51

8.10	Sliding doors with multiple, mechanically linked panels.....	51
8.11	Opening the car door	52
8.12	Emergency trap doors and emergency doors.....	52
8.13	Car roof.....	53
8.14	Car header	54
8.15	Equipment on top of the car	54
8.16	Ventilation	54
8.17	Lighting.....	54
8.18	Counterweight and balancing weight.....	55
9	A3 Suspension, compensation, overspeed protection and protection against unintended car movement A3	55
9.1	Suspension	55
9.2	Sheave, pulley, drum and rope diameter ratios, rope/chain terminations	55
9.3	Rope traction	56
9.4	Winding up of ropes for positive drive lifts	56
9.5	Distribution of load between the ropes or the chains	57
9.6	Compensation with ropes.....	57
9.7	Protection for traction sheaves, pulleys and sprockets	57
9.8	Safety gear	59
9.9	Overspeed governor	60
9.10	Ascending car overspeed protection means.....	62
9.11	Protection against unintended car movement	63
10	Guide rails, buffers and final limit switches	66
10.1	General provisions concerning guide rails	66
10.2	Guiding of the car, counterweight or balancing weight	67
10.3	Car and counterweight buffers	68
10.4	Stroke of car and counterweight buffers	68
10.5	Final limit switches.....	69
11	Clearances between car and wall facing the car entrance, and between car, counterweight or balancing weight.....	70
11.1	General provision	70
11.2	Clearances between car and wall facing the car entrance.....	71
11.3	Clearances between car, counterweight or balancing weight.....	72
12	Lift machine	72
12.1	General provision	72
12.2	Drive of the car and the counterweight or balancing weight.....	72
12.3	Use of overhung pulleys or sprockets	72
12.4	Braking system.....	73
12.5	Emergency operation	74
12.6	Speed	74
12.7	Stopping the machine and checking its stopped condition	74
12.8	Monitoring the normal slowdown of the machine in case of reduced buffer stroke.....	76
12.9	Safety devices against slack rope or slack chain.....	76
12.10	Motor run time limiter.....	77
12.11	Protection of machinery	77
12.12	Normal stopping of the car at landings and levelling accuracy	77
13	Electric installations and appliances	78
13.1	General provisions	78
13.2	Contactors, relay-contactors, components of safety circuits	79
13.3	Protection of motors and other electrical equipment.....	80
13.4	Main switches	80
13.5	Electric wiring	81
13.6	Lighting and socket outlets.....	83
14	Protection against electric faults; controls; priorities.....	83
14.1	Failure analysis and electric safety devices.....	83
14.2	Controls.....	95

15	Notices, markings and operating instructions	99
15.1	General provisions	99
15.2	Car	100
15.3	Car roof	101
15.4	A₂ Machinery and pulley spaces A₂	101
15.5	Well	102
15.6	Overspeed governor	102
15.7	Pit	102
15.8	Buffers	102
15.9	Landing identification	102
15.10	Electrical identification	102
15.11	Unlocking key for landing doors	103
15.12	Alarm device	103
15.13	Locking devices	103
15.14	Safety gear	103
15.15	Groups of lifts	103
15.16	Ascending car overspeed protection means	103
16	Examinations - Tests - Register - Maintenance	104
16.1	Examinations and tests	104
16.2	Register	104
16.3	Installer information	105
Annex A (normative) List of the electric safety devices		107
Annex B (normative) Unlocking triangle		109
Annex C (informative) Technical dossier		110
C.1	Introduction	110
C.2	General	110
C.3	Technical details and plans	110
C.4	Electric schematic diagrams	111
C.5	Verification of conformity	111
Annex D (normative) Examinations and tests before putting into service		112
D.1	Examinations	112
D.2	Tests and verifications	112
Annex E (informative) Periodical examinations and tests, examinations and tests after an important modification or after an accident		116
E.1	Periodical examinations and tests	116
E.2	Examinations and tests after an important modification or after an accident	116
Annex F (normative) Safety components - Test procedures for verification of conformity		118
F.1	Landing door locking devices	120
F.2	Kept free	124
F.3	Safety gear	124
F.4	Overspeed governors	130
F.5	Buffers	132
F.6	A₁ Safety circuits containing electronic components and/or programmable electronic systems (PESSRAL) A₁	138
F.7	Ascending car overspeed protection means	141
F.8	Unintended car movement protection means	143
Annex G (informative) Proof of guide rails		148
G.1	General	148
G.2	Loads and forces	148
G.3	Load cases	150
G.4	Impact factors	150
G.5	Calculations	151
G.6	Permissible deflections	158
G.7	Examples of calculation method	158
Annex H (normative) Electronic components - Failure exclusion		183

Annex J (normative) Pendulum shock tests	191
J.1 General	191
J.2 Test rig	191
J.3 Panels	191
J.4 Test procedure	192
J.5 Interpretation of the results	192
J.6 Test report	192
J.7 Exceptions from the tests	193
Annex K (normative) Top clearances for traction drive lifts	197
Annex L (normative) Necessary buffer stroke	198
Annex M (informative) Traction evaluation	199
M.1 Introduction	199
M.2 Traction calculation	199
M.3 Practical example	204
Annex N (normative) Evaluation of safety factor for suspension ropes	207
N.1 General	207
N.2 Equivalent number N_{equiv} of pulleys	207
N.3 Safety factor	208
N.4 Examples	210
Annex O (informative) A_2 Machinery spaces - Access (6.1) A_2	212
Annex P (informative) A_1 Description of possible measures A_1	213
Annex ZA (informative) A_3 Relationship between this European Standard and the Essential Requirements of EC Directive 95/16/EC amended by Directive 2006/42/EC A_3	218

Foreword

This document (EN 81-1:1998+A3:2009) has been prepared by Technical Committee CEN/TC 10 "Lifts, escalators and moving walks", the secretariat of which is held by AFNOR.

This European Standard shall be given the status of a national standard, either by publication of an identical text or by endorsement, at the latest by June 2010, and conflicting national standards shall be withdrawn at the latest by June 2011.

Attention is drawn to the possibility that some of the elements of this document may be the subject of patent rights. CEN [and/or CENELEC] shall not be held responsible for identifying any or all such patent rights.

This European Standard was approved by CEN on 21 February 1998 and includes Corrigendum 1 issued by CEN on 22 September 1999, Amendment 1 approved by CEN on 13 May 2005, Amendment 2 approved by CEN on 22 April 2004 and Amendment 3 approved by CEN on 13 August 2009.

This document will supersede **A3** EN 81-1:1998. **A3**

The start and finish of text introduced or altered by amendment is indicated in the text by tags **A1**, **A1**, **A2**, **A2** and **A3**, **A3**.

The modifications of the related CEN Corrigendum have been implemented at the appropriate places in the text and are indicated by the tags **AC1**, **AC1**.

This European Standard has been prepared under a mandate given to CEN by the European Commission and the European Free Trade Association, and supports essential requirements of EU Directive(s).

For relationship with EU Directive(s), see informative Annex ZA, which is an integral part of this standard.

This is the third edition of the standard. It is an amendment of the 1985 edition and shall be given the status of a harmonised standard. The amendment is mainly based on the following points:

- elimination of national deviations;
- incorporation of essential health and safety requirements from the relevant EU Directives;
- elimination of obvious errors;
- incorporation of proposals resulting from interpretation requests dealing with the improvement relative to the progress in technology;
- improvement of the references to other standards according to the progress in that field.

After the CEN Enquiry on prEN81-1:1994 the EU Directive on Lifts (95/16/EC) was adopted. The requirements resulting from the essential health and safety requirements of this Directive being not taken into consideration in the draft have been summarised in the Addendum prA1:1996 to prEN81-1:1994 and submitted to the members of CEN/TC 10 for approval. Having received the approval this Addendum has been incorporated into this standard taking into account the comments received from TC members.

This standard does not correspond in all points to the present internal rules of CEN regarding the format of safety standards. However, the format of this standard has been accepted by the interested parties and is therefore regarded as the better way of implementation of the essential health and safety requirements than a formalistic re-draft. This is mainly because of the coming into force of the EU Directive 95/16/EC on 97-07-01.

With the next revision of the standard, being already intended, these shortcomings will be removed.

A3 Amendment 3 is needed on one hand because of the revision of the machinery directive, amendment of the lifts directive, and on the other hand because of improvements in the state of the art.

New ESR's in the revised machinery directive give new requirements for the fixation of protective guards. The amendment is addressing these new requirements.

Furthermore the borderline between the scope of the machinery directive and the lifts directive has changed. As a result of this the scope of EN 81-1 (and EN 81-2) is revised by means of this amendment.

Additionally this amendment is giving more severe requirements for (1) measures against the risk of stumbling during loading and unloading, and for (2) measures against the risks due to uncontrolled movements. These requirements are not linked to the revision of the machinery directive, but are a result of improved state of the art. By means of this amendment, an improved conformity to the relevant ESR's in the Lifts Directive and Machinery Directive is achieved. **A3**

According to the CEN/CENELEC Internal Regulations, the national standards organizations of the following countries are bound to implement this European Standard: Austria, Belgium, Bulgaria, Cyprus, Czech Republic, Denmark, Estonia, Finland, France, Germany, Greece, Hungary, Iceland, Ireland, Italy, Latvia, Lithuania, Luxembourg, Malta, Netherlands, Norway, Poland, Portugal, Romania, Slovakia, Slovenia, Spain, Sweden, Switzerland and United Kingdom.

Introduction

0.1 General

0.1.1 The object of this standard is to define safety rules related to passenger- and goods/passenger-lifts with a view to safeguarding persons and objects against the risk of accidents associated with the user-, maintenance- and emergency operation of lifts¹⁾

0.1.2 A study has been made of the various aspects of incidents possible with lifts in the following areas:

0.1.2.1 Risks possible due to:

- a) shearing;
- b) crushing;
- c) falling;
- d) impact;
- e) trapping;
- f) fire;
- g) electric shock;
- h) failure of material due to:
 - 1) mechanical damage;
 - 2) wear;
 - 3) corrosion.

0.1.2.2 Persons to be safeguarded:

- a) users;
- b) maintenance and inspection personnel;
- c) persons outside the lift well, the machine room and pulley room (if any).

0.1.2.3 Objects to be safeguarded:

- a) loads in car;

1) Within CEN/TC 10 an interpretation committee has been established to answer questions about the spirit in which the experts have drafted the various clauses of this standard. The issued interpretations are available from National Standards Bodies.

- b) components of the lift installation;
- c) building in which the lift is installed.

0.2 Principles

In drawing up this standard the following have been used.

0.2.1 This standard does not repeat all the general technical rules applicable to every electrical, mechanical, or building construction including the protection of building elements against fire.

It has, however, seemed necessary to establish certain requirements of good construction, either because they are peculiar to lift manufacture or because in the case of lift utilization the requirements may be more stringent than elsewhere.

0.2.2 This standard does not only address the essential safety requirements of the Lift Directive, but additionally states minimum rules for the installation of lifts into buildings/constructions. There may be in some countries regulations for the construction of buildings etc. which cannot be ignored.

Typical clauses affected by this are those defining minimum values for the height of the machine and pulley rooms and for their access doors dimensions.

0.2.3 When the weight, size and/or shape of components prevent them from being moved by hand, they are:

- a) either fitted with attachments for lifting gear, or
 - b) designed so that they can be fitted with such attachments (e.g. by means of threaded holes),
- or
- c) shaped in such a way that standard lifting gear can easily be attached.

0.2.4 As far as possible the standard sets out only the requirements that materials and equipment have to meet in the interests of safe operation of lifts.

0.2.5 Negotiations have been made between the customer and the supplier about:

- a) the intended use of the lift;
- b) environmental conditions;
- c) civil engineering problems;
- d) other aspects related to the place of installation.

A1

0.2.6 Risk analysis, terminology and technical solutions have been considered taking into account the methods of the EN 61508 series of standards. This led to a necessary classification of safety functions applied to PESSRAL. **A1**

0.3 Assumptions

Possible risks have been considered of each component that may be incorporated in a complete lift installation.

Rules have been drawn up accordingly.

0.3.1 Components are:

- a) designed in accordance with usual engineering practice and calculation codes, taking into account all failure modes;
- b) of sound mechanical and electrical construction;
- c) made of materials with adequate strength and of suitable quality;
- d) be free of defects.

Harmful materials such as asbestos are not used.

0.3.2 Components are kept in good repair and working order, so that the required dimensions remain fulfilled despite wear.

0.3.3 Components will be selected and installed so that foreseeable environmental influences and special working conditions do not affect the safe operation of the lift.

0.3.4 By design of the load bearing elements, a safe operation of the lift is assured for loads ranging from 0 % to 100 % of the rated load.



0.3.5 The requirements of this European Standard regarding electrical safety devices are such that the possibility of a failure of an electric safety device (see 14.1.2.1.1 b)) complying with all the requirements of this European Standard need not to be taken into consideration.

0.3.6 Users have to be safeguarded against their own negligence and unwitting carelessness when using the lift in the intended way.

0.3.7 A user may, in certain cases, make one imprudent act. The possibility of two simultaneous acts of imprudence and/or the abuse of instructions for use is not considered.

0.3.8 If in the course of maintenance work a safety device, normally not accessible to the users, is deliberately neutralised, safe operation of the lift is no longer assured, but compensatory measures will be taken to ensure users safety in conformity with maintenance instructions.

It is assumed that maintenance personnel is instructed and works according to the instructions.

0.3.9 For horizontal forces, the following have been used:

- a) static force: 300 N;
- b) force resulting from impact: 1000 N;

reflecting the values that one person can exert.

0.3.10 With the exception of the items listed below, a mechanical device built according to good practice and the requirements of the standard will not deteriorate to a point of creating hazard without the possibility of detection.

The following mechanical failures are considered:

- a) breakage of the suspension;
- b) uncontrolled slipping of the ropes on the traction sheave;

- c) breakage and slackening of all linkage by auxiliary ropes, chains and belts;
- d) failure of one of the mechanical components of the electromechanical brake which take part in the application of the braking action on the drum or disk;
- e) failure of a component associated with the main drive elements and the traction sheave.

0.3.11 The possibility of the safety gear not setting, should the car free fall from the lowest landing, before the car strikes the buffer(s) is considered acceptable.

0.3.12 When the speed of the car is linked to the electrical frequency of the mains up to the moment of application of the mechanical brake, the speed is assumed not to exceed 115 % of the rated speed or a corresponding fractional speed.

0.3.13 The organisation within the building, where the lift is installed, is such that it can respond effectively to emergency calls without undue delay (see **0.2.5**).

0.3.14 Means of access are provided for the hoisting of heavy equipment (see **0.2.5**).

0.3.15 $\boxed{A_2}$ To ensure the correct functioning of the equipment in the machinery space(s), i.e. taking into account the heat dissipated by the equipment, the ambient temperature in the machinery space(s) is assumed to be maintained between + 5 °C and + 40 °C. $\boxed{A_2}$

$\boxed{A_2}$

0.3.16 Access ways to the working areas are adequately lit (see 0.2.5).

0.3.17 Minimum passageways required by building regulations are not obstructed by the open door/trap of the lift and/or any protection means for working areas outside of the well, where fitted according to the maintenance instructions (see 0.2.5).

0.3.18 Where more than one person is working at the same time on a lift, an adequate means of communication between these persons is ensured. $\boxed{A_2}$

$\boxed{A_3}$

0.3.19 The fixing system of guards, used specifically to provide protection against mechanical, electrical or any other hazards by means of a physical barrier, which have to be removed during regular maintenance and inspection, remains attached to the guard or to the equipment when the guard is removed. $\boxed{A_3}$

1 Scope

1.1 This standard specifies the safety rules for the construction and installation of permanently installed new electric lifts, with traction or positive drive, serving defined landing levels, having a car designed for the transportation of persons or persons and goods, suspended by ropes or chains and moving between guide rails inclined not more than 15° to the vertical.

1.2 In addition to the requirements of this standard supplementary requirements shall be considered in special cases (potentially explosive atmosphere, extreme climate conditions, seismic conditions, transporting dangerous goods, etc.).

1.3 This standard does not cover:

- a) lifts with drives other than those stated in 1.1;
- b) installation of electric lifts in existing buildings²⁾ to the extent that space does not permit;
- c) important modifications (see **annex E**) to a lift installed before this standard is brought into application;
- d) lifting appliances, such as paternosters, mine lifts, theatrical lifts, appliances with automatic caging, skips, lifts and hoists for building and public works sites, ships' hoists, platforms for exploration or drilling at sea, construction and maintenance appliances;
- e) installations where the inclination of the guide rails to the vertical exceeds 15°;
- f) safety during transport, installation, repairs, and dismantling of lifts;

A3

- g) lifts with rated speed ≤ 0.15 m/s. **A3**

However, this standard may usefully be taken as a basis.

Noise and vibrations are not dealt with in this standard because these are not relevant to the safe use of the lift.

1.4 This standard does not specify the additional requirements necessary for the use of lifts in case of fire.

2 Normative references

This European standard incorporates by dated or undated reference, provisions from other publications. These normative references are cited at the appropriate places in the text and the publications are listed hereafter. For dated references, subsequent amendments to or revisions of any of these publications apply to this European standard only when incorporated in it by amendment or revision. For undated references the latest edition of the publication referred to applies.

CEN/CENELEC standards

EN 294:1992, Safety of machinery - Safety distances to prevent danger zones being reached by the upper limbs.

EN 1050, Safety of machinery - Principles for risk assessment.

EN 10025, Hot rolled products of non alloy structural steels - Technical delivery conditions.

EN 50214, Flexible cables for lifts.

EN 60068-2-6, Environmental testing - Part 2: Tests - Test Fc: Vibration (sinusoidal).

EN 60068-2-27, Basic environmental testing procedures - Part 2: Tests - Test Ea and guidance: Shock.

EN 60068-2-29, Basic environmental testing procedures - Part 2: Tests - Test Eb and guidance: Bump.

2) Existing building is a building which is used or was already used before the order for the lift was placed. A building whose internal structure is completely renewed is considered as a new building.

EN 60249-2-2, Base materials for printed circuits - Part 2: Specifications - Specification N° 2: Phenolic cellulose paper copper-clad laminated sheet, economic quality.

EN 60249-2-3, Base materials for printed circuits - Part 2: Specifications - Specification N° 3: Epoxyde cellulose paper copper-clad laminated sheet of defined flammability (vertical burning test).

EN 60742, Isolating transformers and safety isolating transformers – Requirements.

EN 60947-4-1, Low-voltage switchgear and controlgear - Part 4: Contactors and motor-starters - Section 1: Electromechanical contactors and motor-starters.

EN 60947-5-1, Low-voltage switchgear and controlgear - Part 5: Control circuit devices and switching elements - Section 1: Electromechanical control circuit devices.

EN 60950, Safety of information technology equipment, including electrical business equipment.

EN 62326-1, Printed boards – Part 1: Generic specification.

EN 12015 1998, Electromagnetic compatibility - Product family standard for lifts, escalators and passenger conveyors – Emission.

EN 12016 1998, Electromagnetic compatibility - Product family standard for lifts, escalators and passenger conveyors – Immunity.

prEN 81-8 1997, Fire resistance tests of lift landing doors - Method of test and evaluation.

A1 EN 61508-1:2001, *Functional safety of electrical/electronic/programmable electronic safety-related systems - Part 1: General requirements (IEC 61508-1:1998 + Corrigendum 1999).*

EN 61508-2:2001, *Functional safety of electrical/electronic/programmable electronic safety-related systems - Part 2: Requirements for electrical/electronic/programmable electronic safety-related systems (IEC 61508-2:2000).*

EN 61508-3:2001, *Functional safety of electrical/electronic/programmable electronic safety related systems - Part 3: Software requirements (IEC 61508-3:1998 + Corrigendum 1999).*

EN 61508-4:2001, *Functional safety of electrical/electronic/programmable electronic safety related systems - Part 4: Definitions and abbreviations (IEC 61508-4:1998 + Corrigendum 1999).*

EN 61508-5:2001, *Functional safety of electrical/electronic/programmable electronic safety related systems - Part 5: Examples of methods for the determination of safety integrity levels (IEC 61508-5:1998 + Corrigendum 1999).*

EN 61508-7:2001, *Functional safety of electrical/electronic/programmable electronic safety related systems – Part 7: Overview of techniques and measures (IEC 61508-7:2000).* **A1**

IEC standards

IEC 60664-1, Insulation co-ordination for equipment within low-voltage systems - Part 1: Principles, requirements and tests.

IEC 60747-5, Semiconductor devices – Discrete devices and integrated circuits – Part 5: Optoelectronic devices.

CENELEC Harmonization Documents

HD 21.1 S3, Polyvinyl chloride insulated cables of rated voltages up to and including 450/750 V - Part 1: General requirements.

HD 21.3 S3, Polyvinyl chloride insulated cables of rated voltages up to and including 450/750 V - Part 3: Non-sheathed cables for fixed wiring.

HD 21.4 S2, Polyvinyl chloride insulated cables of rated voltages up to and including 450/750 V – Part 4: Sheathed cables for fixed wiring.

HD 21.5 S3, Polyvinyl chloride insulated cables of rated voltages up to and including 450/750 V - Part 5: Flexible cables (cords).

HD 22.4 S3, Rubber insulated cables of rated voltages up to and including 450/750 V - Part 4: Cords and flexible cables.

HD 214 S2, Method for determining the comparative and the proof tracking indices of solid insulating materials under moist conditions.

HD 323.2.14 S2, Basic environmental testing procedures - Part 2: Tests - Test N: Change of temperature.

HD 360 S2, Circular rubber insulated lift cables for normal use.

HD 384.4.41 S2, Electrical installations of buildings - Part 4: Protection for safety - Chapter 41: Protection against electric shock.

HD 384.5.54 S1, Electrical installations of buildings - Part 5: Selection and erection of electrical equipment - Chapter 54: Earthing arrangements and protective conductors.

HD 384.6.61 S1, Electrical installations of buildings - Part 6: Verification - Chapter 61: Initial verification.

ISO Standards

ISO 7465:1997, Passenger lifts and service lifts – Guide rails for lifts and counterweights – T type applies.

3 Terms and definitions

For the purposes of this standard, the following definitions apply:

apron (garde-pieds) (Schürze)

smooth vertical part extending downwards from the sill of the landing or car entrance

available car area (surface utile de la cabine) (Nutzfläche des Fahrkorbes)

area of the car measured at a height of 1 m above floor level, disregarding handrails, which is available for passengers or goods during operation of the lift

balancing weight (masse d'équilibrage) (Ausgleichgewicht)

mass which saves energy by balancing all or part of the mass of the car

buffer (amortisseur) (Puffer)

a resilient stop at the end of travel, and comprising a means of braking using fluids or springs (or other similar means)


car (cabine) (Fahrkorb)

a part of the lift which carries the passengers and/or other loads

counterweight (contrepoids) (Gegengewicht)

mass which ensures traction

 drive control system (système de commande de l'entraînement) (Antriebssteuerung)

system controlling and monitoring the running of the lift machine 

electric safety chain (chaîne électrique des sécurités) (elektrische Sicherheitskette)
the total of the electric safety devices connected in series

goods passenger lift (ascenseur de charge)³⁾ (Lastenaufzug)
a lift mainly intended for the transport of goods, which are generally accompanied by persons

guide rails (guides) (Führungsschienen)
the rigid components which provide guiding for the car, the counterweight or the balancing weight

headroom (partie supérieure de la gaine) (Schachtkopf)
part of the well between the highest landing served by the car and the ceiling of the well

instantaneous safety gear (parachute à prise instantanée) (Sperrfangvorrichtung)
a safety gear in which the full gripping action on the guide rails is almost immediate

instantaneous safety gear with buffered effect (parachute à prise instantanée avec effet amorti)
(Sperrfangvorrichtung mit Dämpfung)
a safety gear in which the full gripping action on the guide rails is almost immediate, but the reaction on the car, counterweight or balancing weight is limited by presence of an intermediate buffering system

laminated glass (verre feuilleté) (Verbundsicherheitsglas VSG)
an assembly of 2 or more glass layers, each of which is bonded together using a plastic film

levelling (nivelage) (Einfahren)
an operation which improves the accuracy of stopping at landings

A₃ levelling accuracy (précision du maintien au niveau) (Nachregulierungsgenauigkeit)
vertical distance between car sill and landing sill during loading or unloading of the car **A₃**

lift machine (machine) (Triebwerk)
the unit including the motor which drives and stops the lift

A₂ machinery (machinerie) (Triebwerk und Steuerung)
equipment traditionally placed in the machine room: control cabinet(s) and drive system, lift machine, main switch(es), and means for emergency operations **A₂**

A₂ machinery space (emplacement de machinerie) (Aufstellungsort von Triebwerk und Steuerung)
space(s) inside or outside of the well where the machinery as a whole or in parts is placed **A₂**

machine room (local de machines) (Triebwerksraum)
a room in which machine or machines and/or the associated equipment are placed

minimum breaking load of a rope (charge de rupture minimale d'un câble) (Mindestbruchkraft eines Seiles)
the product of the square of the nominal diameter of the rope (in square millimetres) and the nominal tensile strength of the wires (in newtons per square millimetre) and a coefficient appropriate to the type of rope construction

overspeed governor (limiteur de vitesse) (Geschwindigkeitsbegrenzer)
a device which, when the lift attains a predetermined speed, causes the lift to stop, and if necessary causes the safety gear to be applied

3) The French expression "ascenseur de charge" has been introduced into the French language document with the aim of harmonizing the texts in the three languages of CEN and of simplifying the wording. It does not in any way define a particular or supplementary category of lift.

passenger (passager) (Fahrgast)
any person transported by a lift in the car

pit (cuvette) (Schachtgrube)
the part of the well situated below the lowest landing served by the car

positive drive lift (includes drum drive) (ascenseur à treuil attelé) (Trommelaufzug, Kettenaufzug)
a lift suspended by chains or ropes driven by means other than friction

A1) programmable electronic system in safety related applications for lifts (PESSRAL)
(système électronique programmable dans les applications liées à la sécurité des ascenseurs (PESSRAL))
(programmierbares elektronisches System in sicherheitstechnisch relevanten Anwendungen für Aufzüge (PESSRAL))

system for control, protection or monitoring based on one or more programmable electronic devices, including all elements of the system such as power supplies, sensors and other input devices, data highways and other communication paths, and actuators and other output devices, used in safety related applications as listed in Tables A.1 and A.2. **A1**

progressive safety gear (parachute à prise amortie) (Bremsfangvorrichtung)
a safety gear in which retardation is effected by a braking action on the guide rails and for which special provisions are made so as to limit the forces on the car, counterweight or balancing weight to a permissible value

pulley room (local de poulies) (Rollenraum)
a room not containing the machine, in which pulleys are located, and in which the overspeed governor and the electrical equipment can also be housed

A2) pulley space (emplacement de poulies) (Aufstellungsort von Seilrollen)
space(s) inside or outside of the well where pulleys are placed **A2**

rated load (charge nominale) (Nennlast)
the load for which the equipment has been built

rated speed (vitesse nominale) (Nenngeschwindigkeit)
the speed v in metres per second of the car for which the equipment has been built

re-levelling (isonivelage) (Nachstellen)
an operation, after the lift has stopped, to permit the stopping position to be corrected during loading or unloading, if necessary by successive movements (automatic or inching)

safety gear (parachute) (Fangvorrichtung)
a mechanical device for stopping, and maintaining stationary on the guide rails, the lift car, counterweight or balancing weight in case of overspeeding or breaking of the suspension

A1) safety integrity level (SIL) (niveau d'intégrité de sécurité) (Sicherheits-Integritätslevel)
discrete level for specifying the safety integrity requirements of the safety functions to be allocated to the PESSRAL

NOTE In this European Standard SIL 1 is representing the lowest level and SIL 3 the highest. **A1**

safety rope (câble de sécurité) (Sicherheitsseil)
an auxiliary rope attached to the car, the counterweight or balancing weight for the purpose of tripping a safety gear in case of suspension failure

sling (étrier) (Rahmen)

the metal framework carrying the car, counterweight or balancing weight, connected to the means of suspension. This sling can be integral with the car enclosure

A3 stopping accuracy (précision d'arrêt) (Anhaltegenauigkeit)

vertical distance between car sill and landing sill at the moment when a car is stopped by the control system at its destination floor and the doors reach their fully open position **A3**

A1 system reaction time (temps de réaction système) (Systemreaktionszeit)

sum of the following two values:

- a) time period between the occurrence of a fault in the PESSRAL and the initiation of the corresponding action on the lift;
- b) time period for the lift to respond to the action, maintaining a safe state. **A1**

traction drive lift (ascenseur à adhérence) (Treibscheiben-Aufzug)

a lift whose lifting ropes are driven by friction in the grooves of the driving sheave of the machine

travelling cable (câble pendentif) (Hängekabel)

flexible cable between the car and a fixed point

A3 unintended car movement (mouvement incontrôlé de la cabine) (unbeabsichtigte Bewegung des Fahrkorbs)

non-commanded movement of the car with doors open within the door zone away from the landing, excluding movements resulting from loading/unloading operation **A3**

unlocking zone (zone de déverrouillage) (Enriegelungszone)

a zone, extending above and below the stopping level, in which the car floor must be to enable the corresponding landing door to be unlocked

user (usager) (Benutzer)

person making use of the services of a lift installation

well (gaine) (Schacht)

the space in which the car, the counterweight or the balancing weight travels. This space is usually bounded by the bottom of the pit, the walls and the ceiling of the well

4 Units and symbols

4.1 Units

The units used are chosen from the International System of units (SI).

4.2 Symbols

Symbols are explained relevant to the formulae used.

5 Lift well

5.1 General provisions

5.1.1 The requirements of this clause relate to wells containing one or more lift cars.

5.1.2 The counterweight or the balancing weight of a lift shall be in the same well as the car.

5.2 Well enclosure

5.2.1 A lift shall be separated from the surroundings by:

- a) walls, floor and ceiling, or
- b) sufficient space.

5.2.1.1 Totally enclosed well

In sections of the building where the well is required to contribute against the spread of fire, the well shall be totally enclosed by imperforate walls, floor and ceiling.

The only permissible openings are:

- a) openings for landing doors;
- b) openings for inspection and emergency doors to the well and inspection traps;
- c) vent openings for escape of gases and smoke in the event of fire;
- d) ventilation openings;
- e) necessary openings for the functioning of the lift between the well and the machine or pulley rooms;
- f) openings in partition between lifts according to **5.6**.

5.2.1.2 Partially enclosed well

Where the well is not required to contribute against the spread of fire, e.g. observation lifts in connection with galleries or atriums, tower buildings, etc., the well does not need to be totally enclosed, provided:

- a) the height of the enclosure at places normally accessible to persons shall be sufficient to prevent such persons:
 - being endangered by moving parts of the lift, and
 - interfering with the safe operation of the lift by reaching lift equipment within the well either directly or with hand-held objects.

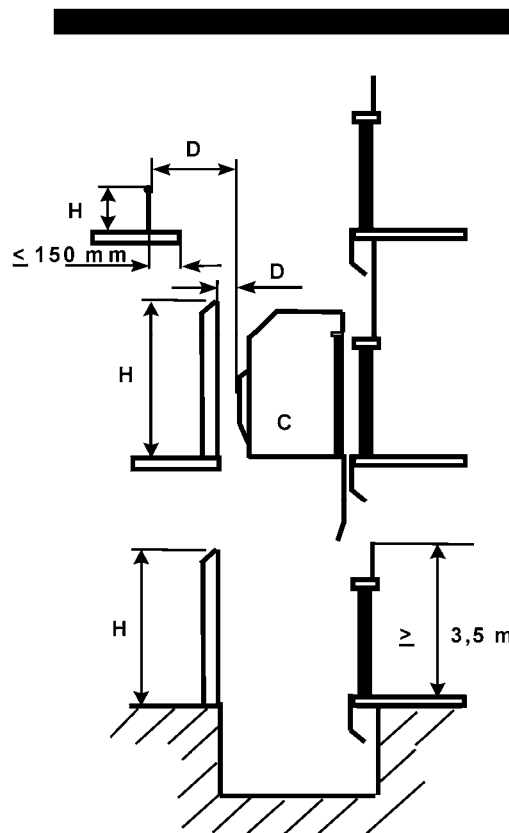
The height is assumed to be sufficient if it is in conformity with figure 1 and 2, that means:

- 1) minimum 3,50 m at a landing door side;
- 2) minimum 2,50 m at other sides and with a minimum horizontal distance of 0,50 m to moving parts of the lift.

If the distance to moving parts exceeds 0,50 m, the value of 2,50 m can be reduced progressively to a minimum height of 1,10 m in a distance of 2,0 m;

- b) the enclosure shall be imperforate;
- c) the enclosure shall be located within 0,15 m maximum of the edges of floors, stairs or platforms (see **figure 1**);
- d) provisions shall be taken to prevent the interference with the operation of the lift by other equipment (see **5.8 b**) and **AC1** 16.3.1 c) **AC1**);
- e) special precautions shall be taken for lifts exposed to weather (see **0.3.3**), e.g. wall climbing lifts installed against the exterior walls of a building.

NOTE Installation of lifts with partially enclosed well should only occur after full consideration of the environmental-/location conditions.



- C car
- H height of the enclosure
- D distance to moving parts of the lift (see figure 2)

Figure 1 — Partially enclosed well

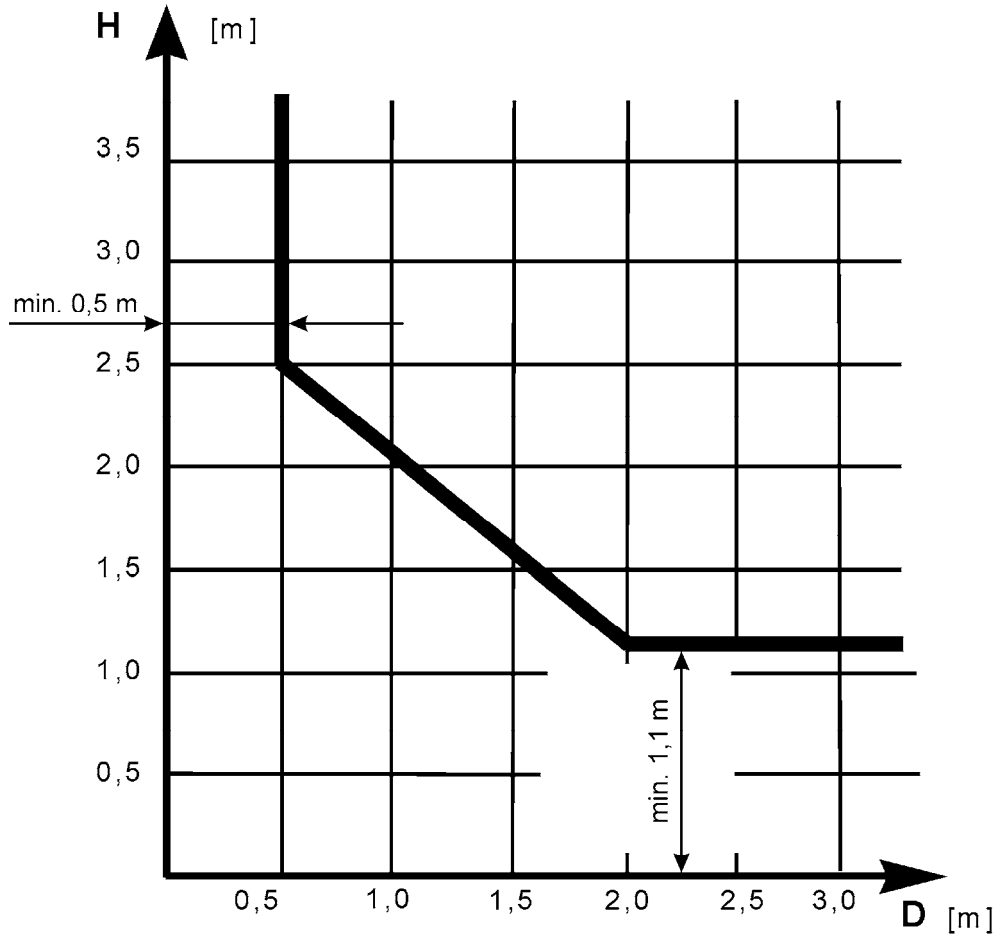


Figure 2 — Partially enclosed well – Distances

5.2.2 Inspection and emergency doors - Inspection traps

5.2.2.1 Inspection and emergency doors, and inspection traps to the well, shall not be used except on grounds of safety to users or the requirements of maintenance.

5.2.2.1.1 Inspection doors shall have a minimum height of 1,40 m and a minimum width of 0,60 m.

Emergency doors shall have a minimum height of 1,80 m and a minimum width of 0,35 m.

Inspection traps shall have a maximum height of 0,50 m and a maximum width of 0,50 m.

5.2.2.1.2 When the distance between consecutive landing doorsills exceeds 11 m, intermediate emergency doors shall be provided, such that the distance between sills is not more than 11 m. This requirement is not called for in the case of adjacent cars, each fitted with an emergency door provision for which is made in **8.12.3**.

5.2.2.2 Inspection and emergency doors and inspection traps shall not open towards the interior of the well.

5.2.2.2.1 The doors and traps shall be provided with a key-operated lock, capable of being reclosed and relocked without a key.

Inspection and emergency doors shall be capable of being opened from inside the well without a key even when locked.

5.2.2.2.2 Operation of the lift shall automatically depend on maintaining these doors and traps in the closed position. For this purpose electric safety devices in conformity with **14.1.2** shall be employed.

An electric safety device is not required in case of access door(s) to the pit (**5.7.3.2**) provided the door(s) does not give access to a hazardous zone. This is regarded to be the case if the free vertical distance between the lowest parts of car, counterweight or balancing weight including guide shoes, apron, etc. during normal operation and the bottom of the pit is at least 2 m.

The presence of travelling cables, compensating ropes/chains and their equipment, tensioning pulleys for the overspeed governor and similar installations is not regarded as being hazardous.

5.2.2.3 Inspection and emergency doors and inspection traps shall be imperforate, satisfy the same requirements for mechanical strength as the landing doors, and comply with the regulations relevant to the fire protection for the building concerned.

5.2.3 Ventilation of the well

The well shall be suitably ventilated. It shall not be used to provide ventilation of rooms other than those belonging to the lift.

NOTE In the absence of relevant regulations or standards, it is recommended that ventilation openings at the top of the well, with a minimum area of 1 % of the horizontal section of the well, are provided.

5.3 Walls, floor and ceiling of the well

The structure of the well shall conform to National Building Regulations and be able to support at least the loads which may be applied by the machine, by the guide rails at the moment of safety gear operation, in the case of eccentric load in the car, by the action of the buffers, by those which may be applied by the anti-rebound device, by loading and unloading the car, etc..

5.3.1 Strength of the walls

5.3.1.1 For the safe operation of the lift the walls shall have a mechanical strength such that when a force of 300 N, being evenly distributed over an area of 5 cm² in round or square section, is applied at right angles to the wall at any point on either face they shall:

- a) resist without permanent deformation;
- b) resist without elastic deformation greater than 15 mm.

AC1 See also 5.4. **AC1**

5.3.1.2 Glass panels, plane or formed, placed at points normally accessible to persons shall be made of laminated glass up to a height as required in **5.2.1.2**.

5.3.2 Strength of the pit floor

5.3.2.1 The floor of the pit shall be able to support beneath each guide rail except hanging guide rails:

force in newtons, due to the mass in kilograms of the guide rails plus the reaction in newtons at the moment of operation of the safety gear (see **G.2.3** and **G.2.4**).

5.3.2.2 The floor of the pit shall be able to support beneath the car buffer supports 4 times the static load being imposed by the mass of the fully loaded car:

$$4 \cdot g_n \cdot (P + Q)$$

where:

P = masses of the empty car and components supported by the car, i.e. part of the travelling cable, compensating ropes/chains (if any), etc. in kilograms;

Q = rated load (mass) in kilograms;

g_n = standard acceleration of free fall, [9,81 (m/s²)];

5.3.2.3 The floor of the pit shall be able to support beneath the counterweight buffer supports, or the balancing weight travelling area, 4 times the static load being imposed by the mass of the counterweight or the balancing weight:

$$4 \cdot g_n \cdot (P + q \cdot Q) \quad \text{for counterweight}$$

$$4 \cdot g_n \cdot q \cdot P \quad \text{for balancing weight}$$

where:

P = masses of the empty car and components supported by the car, i.e. part of the travelling cable, compensating ropes/chains (if any), etc. in kilograms;

Q = rated load (mass) in kilograms;

g_n = standard acceleration of free fall, [9,81 (m/s²)];

q = balance factor (see **G.2.4**).

5.3.3 Strength of the ceiling

A₂ Notwithstanding the requirements of 6.3.2 and/or 6.7.1.1, in the case of hanging guide rails the suspension points shall be able to take at least the loads and forces according to G.5.1. **A₂**

5.4 Construction of the walls of lift wells and landing doors facing a car entrance

5.4.1 The following requirements relating to landing doors and walls, or parts of walls, facing a car entrance shall apply over the full height of the well.

For clearances between car and wall of the lift well facing the car entrance, see **11**.

5.4.2 The assembly comprising the landing doors and any wall or part of a wall facing the car entrance shall form an imperforate surface over the full entrance width of the car, excluding the operational clearances of doors.

5.4.3 Below each landing door sill the wall of the lift well shall comply with the following requirements:

- a) it shall form a vertical surface which is directly connected to the landing door sill, whose height is at least half the unlocking zone plus 50 mm and whose width is at least the clear opening of the car access plus 25 mm on both sides;
- b) this surface shall be continuous and be composed of smooth and hard elements, such as metal sheets, and shall be capable of withstanding a force of 300 N applied at a right angle to the wall at any point, being evenly distributed over an area of 5 cm² in round or square section, it shall resist:
 - 1) without permanent deformation;
 - 2) without elastic deformation greater than 10 mm;
- c) any projections shall not exceed 5 mm. Projections exceeding 2 mm shall be chamfered at least 75° to the horizontal;
- d) furthermore, it shall be either:
 - 1) connected to the lintel of the next door, or
 - 2) extended downwards using a hard smooth chamfer whose angle to the horizontal plane shall be at least 60°. The projection to this chamfer on the horizontal plane shall not be less than 20 mm.

5.5 Protection of any spaces located below the car, the counterweight or the balancing weight

If accessible spaces do exist below the car, the counterweight or the balancing weight, the base of the pit shall be designed for an imposed load of at least 5 000 N/m², and:

- a) either there shall be installed below the counterweight buffer or under the travelling area of the balancing weight, a solid pier extending down to solid ground, or
- b) the counterweight or the balancing weight shall be equipped with safety gear.

NOTE Lift wells should preferably not be situated above a space accessible to persons.

5.6 Protection in the well

5.6.1 The travelling area of the counterweight or the balancing weight shall be guarded by means of a rigid screen extending from a position of not more than 0,30 m above the lift pit floor to a position at least 2,50 m.

The width shall be at least equal to that of the counterweight $\langle AC_1 \rangle$ or balancing weight $\langle AC_1 \rangle$ plus 0,10 m on each side.

If this partition is perforate, EN 294, subclause 4.5.1 has to be respected.

5.6.2 Where the well contains several lifts there shall be a partition between the moving parts of different lifts.

If this partition is perforate, EN 294, subclause 4.5.1 has to be respected.

5.6.2.1 This partition shall extend at least from the lowest point of travel of the car, the counterweight or the balancing weight to a height of 2,50 m above the floor of the lowest landing.

The width shall be as to prevent access from one pit to another, except where the conditions of **5.2.2.2** are met.

5.6.2.2 The partition shall extend through the full height of the well if the horizontal distance between the edge of the car roof and a moving part (car, counterweight or balancing weight) of an adjacent lift is less than 0,50 m.

The width of the partition shall be at least equal to that of the moving part, or part of this, which is to be guarded, plus 0,10 m on each side.

5.7 Headroom and pit

5.7.1 Top clearances for traction drive lifts

The top clearances for traction drive lifts, as required in the following, are illustrated in **annex K**.

5.7.1.1 When the counterweight rests on its fully compressed buffer(s), the following four conditions shall be satisfied at the same time:

- a) the car guide rail lengths shall be such as would accommodate a further guided travel, expressed in metres, of at least $0,1 + 0,035 v^2$ ⁴⁾
- b) the free vertical distance between the level of the highest area on the car roof whose dimensions comply with **8.13.2** (areas on parts according to **5.7.1.1 c)** excluded) and the level of the lowest part of the ceiling of the well (including beams and components located under the ceiling) situated in the projection of the car, expressed in metres, shall be at least $1,0 + 0,035 v^2$;
- c) the free vertical distance, expressed in metres, between the lowest parts of the ceiling of the well and:
 - 1) the highest pieces of equipment fixed on the roof of the car enclosure, except for those covered in 2) below, shall be at least $0,3 + 0,035 v^2$;
 - 2) the highest part of the guide shoes or rollers, of the rope attachments and of the header or parts of vertically sliding doors, if any, shall be at least $0,1 + 0,035 v^2$;
- d) there shall be above the car sufficient space to accommodate a rectangular block not less than 0,50 m x 0,60 m x 0,80 m resting on one of its faces. For lifts with direct roping, the suspension ropes and their attachments may be included in this space, provided that no rope centre-line shall be at a distance exceeding 0,15 m from at least one vertical surface of the block.

5.7.1.2 When the car rests on its fully compressed buffers, the counterweight guide rail lengths shall be such as would accommodate a further guided travel expressed in metres, of at least $0,1 + 0,035 v^2$.

5.7.1.3 When the slowdown of the machine is monitored, in accordance with **12.8**, the value of $0,035 v^2$ in **5.7.1.1** and **5.7.1.2** for calculation of clearances may be reduced:

4) $0,035 v^2$ represents half the gravity stopping distance corresponding to 115 % of the rated speed:

$$1/2 \cdot \frac{(1,15v)^2}{2 \cdot g_n} = 0,0337 v^2 \text{ rounded to } 0,035 v^2$$

- a) to one half for lifts whose rated speed does not exceed 4 m/s; however, this value shall not be less than 0,25 m;
- b) to one third for lifts whose rated speed exceeds 4 m/s; however, this value shall not be less than 0,28 m.

5.7.1.4 For lifts which are fitted with compensating ropes having a tensioning pulley equipped with an anti-rebound device (braking or lock-down device), the value of $0,035 v^2$ may be replaced in the calculation of the clearances by a figure related to the possible travel of that pulley (depending on the roping used) plus 1/500 of the travel of the car, with a minimum of 0,20 m to take account of the elasticity of the ropes.

5.7.2 Top clearances for positive drive lifts

5.7.2.1 The guided travel of the car upwards from the top floor until it strikes the upper buffers shall be at least 0,50 m. The car shall be guided to the limit of its buffer stroke.

5.7.2.2 When the upper buffers are fully compressed by the car, the following three conditions shall be satisfied at the same time:

- a) the free vertical distance between the level of the highest area on the car roof whose dimensions comply with **8.13.2** (areas on parts according to **5.7.2.2 b)** excluded) and the level of the lowest part of the ceiling of the well (including beams and components located under the ceiling) situated in the projection of the car, shall be at least 1 m;
- b) the free vertical distance between the lowest part of the ceiling of the well and:
 - 1) the highest pieces of equipment fixed on the car roof, except for those covered by 2) below, shall be at least 0,30 m;
 - 2) the highest part of the guide shoes or rollers, of the rope attachments, or of the header, or the parts of vertically sliding doors, if any, shall be at least 0,10 m;
- c) there shall be above the car sufficient space to accommodate a rectangular block not less than 0,50 m x 0,60 m x 0,80 m resting on one of its faces. For lifts with direct roping, the suspension ropes or chains and their attachments may be included in this space, provided that no rope, or chain, centre-line shall be at a distance exceeding 0,15 m from at least one vertical surface of the block.

5.7.2.3 When the car rests on its fully compressed buffers, the guide rail lengths of the balancing weight, if there is one, shall be such as would accommodate a further guided travel of at least 0,30 m.

5.7.3 Pit

5.7.3.1 The lower part of the well shall consist of a pit, the bottom of which shall be smooth and approximately level, except for any buffer and guide rail bases and water drainage devices.

After the building-in of guide rail fixings, buffers, any grids, etc., the pit shall be impervious to infiltration of water.

5.7.3.2 If there is an access door to the pit, other than the landing door, it shall comply with the requirements of **5.2.2**.

Such a door shall be provided if the pit depth exceeds 2,50 m and if the layout of the building so permits.

If there is no other access a permanent means shall be provided inside the well, easily accessible from the landing door, to permit competent persons to descend safely to the floor of the pit. This shall not project into the clear running space of the lift equipment.

5.7.3.3 When the car rests on its fully compressed buffers, the following three conditions shall be satisfied at the same time:

- a) there shall be in the pit sufficient space to accommodate a rectangular block not less than 0,50 m x 0,60 m x 1,0 m resting on one of its faces;
- b) the free vertical distance between the bottom of the pit and the lowest parts of the car, shall be at least 0,50 m. This distance may be reduced to a minimum of 0,10 m within a horizontal distance of 0,15 m between:
 - 1) apron or parts of the vertically sliding car door(s) and the adjacent wall(s);
 - 2) the lowest parts of the car and the guide rails;
- c) the free vertical distance between the highest parts fixed in the pit, for instance a tensioning device for compensation ropes being in its highest position and the lowest parts of the car, except for items detailed in b) 1) and b) 2) above, shall be at least 0,30 m.

5.7.3.4 There shall be in the pit:

- a) stopping device(s) accessible on opening the door(s) to the pit, and from the pit floor, in conformity with the requirements of **14.2.2** and **15.7**;
- b) a socket outlet (**13.6.2**);
- c) means to switch the lift well lighting (**5.9**), accessible on opening the door(s) to the pit.

5.8 Exclusive use of the lift well

The well shall be exclusively used for the lift. It shall not contain cables or devices, etc., other than for the lift. The well may, however, contain heating equipment for the lift well excluding steam heating and high pressure water heating. However, any control and adjustment devices of the heating apparatus shall be located outside the well.

In the case of lifts according to **5.2.1.2**, it is regarded as "well" in the case where enclosures:

- a) are present: the area inside the enclosure;
- b) are missing: the area being inside a horizontal distance of 1,50 m from movable components of the lift (see **5.2.1.2**).

5.9 Lighting of the well

The well shall be provided with permanently installed electric lighting, giving an intensity of illumination of at least 50 lux, 1 m above the car roof and the pit floor, even when all doors are closed.

This lighting shall comprise one lamp at most 0,50 m from the highest and lowest points in the well with intermediate AC_1 lamp(s) AC_1 .

If use is made of the exception provided for in **5.2.1.2**, this lighting may not be necessary if the electric lighting existing in the neighbourhood of the well is sufficient.

5.10 Emergency release

If there is a risk for persons working in the well being trapped and no means are provided to escape, either through the car, or through the well, alarm devices shall be installed at places where this risk exists.

The alarm devices shall fulfil the requirements of **14.2.3.2** and **14.2.3.3**.

A2

6 Machinery and pulley spaces

6.1 General provisions

Machinery and pulleys shall be located in machinery and pulley spaces. These spaces and the associated working areas shall be accessible. Provisions shall be made to allow access to the spaces only to authorised persons (maintenance, inspection and rescue). The spaces and the associated working areas shall be suitably protected against environmental influences to be taken into consideration and provisions made for suitable areas for maintenance/inspection work and emergency operation. See 0.2.2, 0.2.5 and 0.3.3.

a) See Annex O.

6.2 Access

6.2.1 The access way adjacent to any door/trap giving access to machinery and pulley spaces shall be:

- a) capable of being properly lit by a permanent electric light fixture(s);
- b) easy to use in complete safety in all circumstances without necessitating entry into private premises.

6.2.2 A safe access for persons to machinery and pulley spaces shall be provided. For preference this should be effected entirely by way of stairs. If it is not possible to install stairs, ladders satisfying the following requirements shall be used:

- a) the access to the machinery and pulley spaces shall not be situated more than 4 m above the level accessible by stairs;
- b) ladders shall be fastened to the access in such a way that they cannot be removed;
- c) ladders exceeding 1,50 m in height shall, when in position for access, form an angle between 65° and 75° to the horizontal and shall not be liable to slip or turn over;
- d) the clear width of the ladder shall be at least 0,35 m, the depth of the steps shall not be less than 25 mm and in the case of vertical ladders the distance between the steps and the wall behind the ladder shall not be less than 0,15 m. The steps shall be designed for a load of 1500 N;
- e) adjacent to the top end of the ladder there shall be at least one hand hold within easy reach;
- f) around a ladder, within a horizontal distance of 1,50 m, the risk of falling by more than the height of the ladder shall be prevented.

6.3 Machinery in machine room

6.3.1 General provisions

6.3.1.1 When lift machines and their associated equipment are located in a machine room, it shall comprise solid walls, ceiling, floor and door and / or trap.

Machine rooms shall not be used for purposes other than lifts. They shall not contain ducts, cables or devices other than for the lift.

These rooms may, however, contain:

- a) machines for service lifts or escalators;
- b) equipment for air-conditioning or heating of these rooms, excluding steam heating and high pressure water heating;
- c) fire detectors or extinguishers, with a high operating temperature, appropriate for the electrical equipment, stable over a period of time, and suitably protected against accidental impact.

6.3.1.2 The traction sheave may be installed in the well, provided that:

- a) examinations and the tests and the maintenance operations may be carried out from the machine room;
- b) openings between the machine room and the well are as small as possible.

6.3.2 Mechanical strength, floor surface

6.3.2.1 Machine rooms shall be so constructed to withstand the loads and forces to which they are intended to be subjected.

They shall be in durable material not favouring the creation of dust.

6.3.2.2 Room floors shall be of non-slip material, e.g. trowelled concrete or chequer plate.

6.3.3 Dimensions

6.3.3.1 The dimensions of machine rooms shall be sufficient to permit easy and safe working on equipment, especially the electrical equipment.

In particular there shall be provided at least a clear height of 2 m at working areas, and:

- a) a clear horizontal area in front of the control panels and cabinets. This area is defined as follows:
 - 1) depth, measured from the external surface of the enclosures, at least 0,70 m;
 - 2) width, the greater of the following values: 0,50 m or the full width of the cabinet or panel;
- b) a clear horizontal area of at least 0,50 m x 0,60 m for maintenance and inspection of moving parts at points where this is necessary and, if need be, manual emergency operation (12.5.1).

6.3.3.2 The clear height for movement shall not be less than 1,80 m.

The access ways to the clear spaces mentioned in 6.3.3.1 shall have a width of at least 0,50 m. This value may be reduced to 0,40 m where there are no moving parts.

This clear height for movement is taken to the underside of the structural roof beams and measured from the floor of the access area.

6.3.3.3 There shall be a clear vertical distance of at least 0,30 m above the rotating parts of the machine.

6.3.3.4 When the machine room floor comprises a number of levels differing by more than 0,50 m, stairways or steps and guardrails shall be provided.

6.3.3.5 When the floor of the machine rooms has any recesses greater than 0,50 m deep and less than 0,50 m wide, or any ducts, they shall be covered.

6.3.4 Doors and trap doors

6.3.4.1 Access doors shall have a minimum width of 0,60 m and a minimum height of 1,80 m. They shall not open towards the inside of the room.

6.3.4.2 Access trap doors for persons shall give a clear passage of at least 0,80 m x 0,80 m, and shall be counterbalanced.

All trap doors, when they are closed, shall be able to support two persons, each counting for 1000 N on an area of 0,20 m x 0,20 m at any position, without permanent deformation.

Trap doors shall not open downwards, unless they are linked to retractable ladders. Hinges, if any, shall be of a type which cannot be unhooked.

When a trap door is in the open position, precautions shall be taken to prevent the fall of persons (e.g. a guardrail).

6.3.4.3 Doors or trap doors shall be provided with a key operated lock, capable of being opened without a key from inside the room.

Trap doors used only for access of material may be locked from the inside only.

6.3.5 Other openings

The dimension of holes in the slab and room floor shall be reduced to a minimum for their purpose.

With the aim of removing the danger of objects falling through openings situated above the well, including those for electric cables, ferrules shall be used, which project at least 50 mm above the slab or finished floor.

6.3.6 Ventilation

The machine rooms shall be suitably ventilated. Should the well be ventilated through the machine room, this has to be taken into account. Stale air from other parts of the building shall not be extracted directly into the machine room. It shall be such that the motors, and equipment, as well as electric cables, etc., are protected as far as it is reasonably practicable from dust, harmful fumes and humidity.

6.3.7 Lighting and socket outlets

The machine room shall be provided with permanently installed electric lighting with an intensity of at least 200 lux at floor level. The supply for this lighting shall be in conformity with 13.6.1.

A switch placed inside close to the access point(s), at an appropriate height, shall control lighting of the room.

At least one socket outlet (13.6.2) shall be provided.

6.3.8 Handling of equipment

One or more metal supports or hooks with the indication of the safe working load (15.4.5), as appropriate, are provided in the machine room ceiling or on the beams, conveniently positioned to permit the hoisting of heavy equipment (see 0.2.5 and 0.3.14).

6.4 Machinery inside the well

6.4.1 General provisions

6.4.1.1 Machinery supports and working areas inside the well shall be so constructed to withstand the loads and forces to which they are intended to be subjected.

6.4.1.2 In the case of wells partially enclosed at the exterior of buildings the machinery shall be suitably protected against the environmental influences.

6.4.1.3 The clear height for moving inside the well from one working area to another one shall not be less than 1,80 m.

6.4.2 Dimensions of working areas inside the well

6.4.2.1 The dimensions of working areas at the machinery inside the well shall be sufficient to permit easy and safe working on equipment.

In particular there shall be provided at least a clear height of 2 m at working areas, and:

- a) a clear horizontal working area of at least 0,50 m x 0,60 m for maintenance and inspection of parts at points where this is necessary;
- b) a clear horizontal space in front of the control panels and cabinets, defined as follows:
 - 1) depth, measured from the external surface of the enclosures, at least 0,70 m;
 - 2) width, the greater of the following values: 0,50 m or the full width of the cabinet or panel.

6.4.2.2 There shall be a clear vertical distance of at least 0,30 m above unprotected rotating parts of the machine. If the distance is less than 0,30 m guarding shall be provided according to 9.7.1 a).

See also 5.7.1.1 or 5.7.2.2.

6.4.3 Working areas in the car or on the car roof

6.4.3.1 Where maintenance/inspection work on the machinery is to be carried out from inside the car or from the car roof and if any kind of uncontrolled or unexpected car movement resulting from maintenance/inspection can be dangerous to persons, the following applies:

- a) any dangerous movement of the car shall be prevented by a mechanical device;
- b) all movement of the car shall be prevented by means of an electric safety device in conformity with **14.1.2** unless the mechanical device is in its inactive position;
- c) when this device is in its active position, it shall be possible to carry out maintenance work and to leave the working area safely.

6.4.3.2 The necessary devices for emergency operation and for dynamic tests (such as brake tests, traction tests, safety gear tests, buffer tests or tests of ascending car overspeed protection means) shall be arranged so that they can be carried out from outside of the well in accordance with 6.6.

6.4.3.3 If inspection door and/or traps are located in the walls of the car, they shall:

- a) have sufficient dimensions to carry out the required work through the door/trap;
- b) be as small as possible to avoid falling into the well;
- c) not open towards the outside of the car;
- d) be provided with a key-operated lock, capable of being reclosed and relocked without a key;
- e) be provided with an electrical safety device in conformity with 14.1.2, checking the locked position;
- f) be imperforate and satisfy the same requirements for mechanical strength as the walls of the car.

6.4.3.4 Where it is necessary to move the car from the inside with open inspection door/trap the following applies:

- a) an inspection control station according to 14.2.1.3 shall be available near the inspection door/trap;
- b) the inspection control station in the car shall render inoperative the electric safety device according to 6.4.3.3 e);
- c) the inspection control station in the car shall be accessible only to authorised persons and so arranged that it is not possible to use it to drive the car when standing on the car roof, e.g. by placing it behind the inspection door/trap;
- d) if the smaller dimension of the opening exceeds 0,20 m the clear horizontal distance between the outside edge of the opening in the car wall and equipment installed in the well in front of that opening shall be at least 0,30 m.

6.4.4 Working areas in the pit

6.4.4.1 Where machinery is to be maintained or inspected from the pit and if this work requires movement of the car, or is likely to result in uncontrolled or unexpected car movement, the following applies:

- a) a permanently installed device shall be provided to mechanically stop the car with any load up to rated load and from any speed up to rated speed to create a free distance of at least 2 m between the floor of the working area and the lowest parts of the car, excluding those mentioned in 5.7.3.3 b) 1) and 2). The retardation of mechanical devices other than safety gears shall not exceed that produced by the buffers (10.4);
- b) mechanical device shall be able to maintain the car stopped;
- c) mechanical device can be operated manually or automatically;
- d) where it is necessary to move the car from the pit, an inspection control station according to 14.2.1.3 shall be available for use in the pit;
- e) opening by the use of a key of any door providing access to the pit shall be checked by an electric safety device according to 14.1.2 which prevents all further movement of the lift. Movement shall only be possible under the requirements given in g) below;
- f) all movement of the car shall be prevented by means of an electric safety device in conformity with 14.1.2 unless the mechanical device is in its inactive position;
- g) when the mechanical device is in its active position as checked by means of an electric safety device in conformity with 14.1.2, electrically driven movement of the car shall only be possible from the inspection control station(s);
- h) return of the lift to normal service shall only be made by operation of an electrical reset device placed outside of the well and accessible to authorised persons only, e. g. inside a locked cabinet.

6.4.4.2 When the car is in the position according to 6.4.4.1 a), it shall be possible to leave the working area safely.

6.4.4.3 The necessary devices for emergency operation and for dynamic tests (such as brake tests, traction tests, safety gear tests, buffer tests or tests of ascending car overspeed protection means) shall be arranged so that they can be carried out from outside of the well in accordance with 6.6.

6.4.5 Working areas on a platform

6.4.5.1 Where machinery is to be maintained or inspected from a platform, it shall be:

- a) permanently installed, and
- b) retractable if it is in the travel path of the car or counterweight/balancing weight.

6.4.5.2 Where machinery is to be maintained or inspected from a platform positioned into the travel path of the car, the counterweight or the balancing weight:

- a) the car shall be stationary by using a mechanical device in conformity with 6.4.3.1 a) and b), or
- b) where the car needs to be moved, the travel path of the car shall be limited by movable stops in such a way that the car is stopped
 - at least 2 m above the platform if the car runs down towards the platform;
 - below the platform in compliance with 5.7.1.1 b), c) and d) if the car runs up towards the platform.

6.4.5.3 The platform shall be:

- a) able to support at any position the mass of two persons, each counting for 1000 N over an area of 0,20 m × 0,20 m without permanent deformation. If the platform is intended to be used for handling heavy equipment the dimensions shall be considered accordingly and the platform shall have a mechanical strength to withstand the loads and forces to which it is intended to be subjected (see 6.4.10);
- b) provided with a balustrade in conformity with 8.13.3;
- c) equipped with means ensuring that:
 - 1) the step rise between the floor of the platform and the level of the access does not exceed 0,50 m;
 - 2) it shall not be possible to pass a ball with a diameter of 0,15 m through any gap between the platform and the sill of the access door;
 - 3) any gap measured horizontally between the fully open landing door panel and the platform edge does not exceed 0,15 m, unless additional provisions have been taken to prevent falling into the well.

6.4.5.4 In addition to 6.4.5.3 any retractable platform shall be:

- a) provided with an electric safety device in conformity with 14.1.2, checking the fully retracted position;
- b) provided with means for putting it into or removing it from the working position. This operation shall be possible from the pit or by means located outside of the well and accessible only to authorised persons.

If the access to the platform is not through a landing door, the opening of the access door shall be impossible when the platform is not in the working position, or alternatively, means shall be provided to prevent persons from falling into the well.

6.4.5.5 In the case of 6.4.5.2 b) movable stops shall be automatically operated when the platform is lowered. They shall be provided with:

- a) buffers in conformity with 10.3 and 10.4;
- b) an electric safety device in conformity with 14.1.2, which only allows car movement if the stops are in their fully retracted position;

c) an electrical safety device in conformity with 14.1.2, which only allows car movement with a lowered platform if the stops are in their fully extended position.

6.4.5.6 Where it is necessary to move the car from the platform, an inspection control station according to **14.2.1.3** shall be available for use on the platform.

When the movable stop(s) is(are) in its active position, electrically driven movement of the car shall only be possible from the inspection control station(s).

6.4.5.7 The necessary devices for emergency operation and dynamic tests (such as brake tests, traction tests, safety gear tests, buffer tests or tests of ascending car overspeed protection means) shall be arranged so that they can be carried out from outside of the well in conformity with 6.6.

6.4.6 Working areas outside of the well

When the machinery is in the well and is intended to be maintained/inspected from outside of the well, deviating from **6.1**, the working areas in accordance with 6.3.3.1 and 6.3.3.2 can be provided outside of the well. Access to this equipment shall only be possible by a door/trap in conformity with 6.4.7.2.

6.4.7 Doors and traps

6.4.7.1 Working areas inside the well shall be accessible through doors in the well enclosure. Doors shall be either the landing doors or doors satisfying the following requirements. They shall:

- a) have a minimum width of 0,60 m and a minimum height of 1,80 m;
- b) not open towards the inside of the well;
- c) be provided with a key-operated lock, capable of being reclosed and relocked without a key;
- d) be capable of being opened from inside the well without a key, even when locked;
- e) be provided with an electrical safety device in conformity with 14.1.2, checking the closed position;
- f) be imperforate, satisfy the same requirements for mechanical strength as the landing doors, and comply with the regulations relevant to the fire protection for the building concerned.

6.4.7.2 Access to machinery inside of the well from a working area outside of the well shall:

- a) have sufficient dimensions to carry out the required work through the door/trap;
- b) be as small as possible to avoid falling into the well;
- c) not open towards the inside of the well;
- d) be provided with a key-operated lock, capable of being reclosed and relocked without a key;
- e) be provided with an electrical safety device in conformity with 14.1.2, checking the closed position;
- f) be imperforate, satisfy the same requirements for mechanical strength as the landing doors, and comply with the regulations relevant to the fire protection for the building concerned.

6.4.8 Ventilation

The machinery spaces shall be suitably ventilated. The electric equipment of the machinery shall be protected as far as it is reasonably practicable from dust, harmful fumes and humidity.

6.4.9 Lighting and socket outlets

The working areas and machinery spaces shall be provided with permanently installed electric lighting with an intensity of at least 200 lux at floor level. The supply for this lighting shall be in conformity with 13.6.1.

NOTE This lighting may be part of the lighting of the well.

A switch accessible only to authorised persons and placed close to the access point(s) to working area(s), at an appropriate height, shall control the lighting of the areas and spaces.

At least one socket outlet (13.6.2) shall be provided at an appropriate place for each working area.

6.4.10 Handling of equipment

One or more metal supports or hooks with the indication of the safe working load (15.4.5), as appropriate, are provided in the machinery spaces, conveniently positioned to permit the hoisting of heavy equipment (see 0.2.5 and 0.3.14).

6.5 Machinery outside of the well

6.5.1 General provisions

Machinery spaces outside of the well and not located in a separate machine room shall be so constructed to withstand the loads and forces to which they are intended to be subjected.

6.5.2 Machinery cabinet

6.5.2.1 The machinery of a lift shall be located inside a cabinet which shall not be used for purposes other than the lift. It shall not contain ducts, cables or devices other than for the lift.

6.5.2.2 The machinery cabinet shall consist of imperforate walls, floor, roof and door(s).

The only permissible openings are:

- a) ventilation openings;
- b) necessary openings for the functioning of the lift between the well and the machinery cabinet;
- c) vent openings for escape of gases and smoke in the event of fire.

These openings when accessible to non-authorised persons shall comply with the following requirements:

- 1) protection according to EN 294:1992, Table 5 against contact with danger zones, and
- 2) degree of protection of at least IP 2XD against contact with electrical equipment.

6.5.2.3 The door(s) shall:

- a) have sufficient dimensions to carry out the required work through the door;
- b) not open towards the inside of the cabinet;
- c) be provided with a key-operated lock, capable of being reclosed and relocked without a key.

6.5.3 Working area

The working area in front of a machinery cabinet shall comply with the requirements according to 6.4.2.

6.5.4 Ventilation

The machinery cabinet shall be suitably ventilated. It shall be such that the machinery is protected as far as it is reasonably practicable from dust, harmful fumes and humidity.

6.5.5 Lighting and socket outlets

The inside of the machinery cabinet shall be provided with permanently installed electric lighting with an intensity of at least 200 lux at floor level. The supply for this lighting shall be in conformity with 13.6.1.

A switch placed inside close to the door(s), at an appropriate height, shall control lighting of the cabinet.

At least one socket outlet (13.6.2) shall be provided.

6.6 Devices for emergency and test operations

6.6.1 In the case of 6.4.3, 6.4.4 and 6.4.5 the necessary devices for emergency and test operations shall be provided on a panel(s) suitable for carrying out from outside of the well all emergency operations and any necessary dynamic tests of the lift. The panel(s) shall be accessible to authorised persons only. This applies also to means for maintenance where maintenance procedure(s) require(s) moving the car and the work cannot be carried out safely from the intended work areas provided inside the well.

If the emergency and test devices are not protected inside a machinery cabinet, they shall be enclosed with a suitable cover, which:

- a) does not open towards the inside of the well;
- b) is provided with a key-operated lock, capable of being reclosed and relocked without a key.

6.6.2 The panel(s) shall provide the following:

- a) emergency operation devices according to 12.5, together with an intercom system in conformity with 14.2.3.4;
- b) control equipment which enables dynamic tests to be carried out (6.4.3.2, 6.4.4.3, 6.4.5.7);
- c) direct observation of the lift machine or display device(s), which give indication of :
 - direction of movements of the car;
 - reaching of an unlocking zone, and
 - speed of the lift car.

6.6.3 The devices on the panel(s) shall be lit by a permanently installed electric lighting with an intensity of at least 50 lux measured at the device.

A switch placed on or close to the panel shall control lighting of the panel(s).

The electrical supply for this lighting shall be in conformity with 13.6.1.

6.6.4 The panel(s) for emergency and test operations shall be installed only where a working area in accordance with 6.3.3.1 is available.

6.7 Construction and equipment of pulley spaces

6.7.1 Pulley rooms

Pulleys outside of the well shall be located in a pulley room.

6.7.1.1 Mechanical strength, floor surface

6.7.1.1.1 The pulley rooms shall be so constructed to withstand the loads and forces to which they will normally be subjected.

They shall be in durable material, not favouring the creation of dust.

6.7.1.1.2 The floors of the pulley rooms shall be of non-slip material, e.g. troweled concrete or chequer plate.

6.7.1.2 Dimensions

6.7.1.2.1 Pulley room dimensions shall be sufficient to provide easy and safe access for maintenance personnel to all the equipment.

The requirements of 6.3.3.1 b) and 6.3.3.2, sentence two and three, are applicable.

6.7.1.2.2 The height under the ceiling shall be at least 1,50 m.

6.7.1.2.3 There shall be a clear space of at least 0,30 m high above the pulleys.

6.7.1.2.4 If there are control panels and cabinets in the pulley room the provisions of 6.3.3.1 and 6.3.3.2 apply to this room.

6.7.1.3 Doors and trap doors

6.7.1.3.1 Access doors shall have a minimum width of 0,60 m and minimum height of 1,40 m. They shall not open towards the inside of the room.

6.7.1.3.2 Access trap doors for persons shall give a clear passage of at least 0,80 m x 0,80 m and shall be counterbalanced.

All trap doors, when they are closed, shall be able to support two persons, each counting for 1000 N on an area of 0,20 m x 0,20 m at any position, without permanent deformation.

Trap doors shall not open downwards, unless they are linked to retractable ladders. Hinges, if any, shall be of a type which cannot be unhooked.

When a trap door is in the open position, precautions shall be taken to prevent the fall of persons (e.g. a guardrail).

6.7.1.3.3 Doors or trap doors shall be provided with a key operated lock, capable of being opened without a key from inside the room.

6.7.1.4 Other openings

The dimensions of holes in the slab and pulley room floor shall be reduced to a minimum for their purpose.

With the aim of removing the danger of objects falling through openings situated over the well, including those for electric cables, ferrules shall be used which project at least 50 mm above the slab or finished floor.

6.7.1.5 Stopping device

A stopping device, in conformity with 14.2.2 and 15.4.4, shall be installed in the pulley room, close to the point(s) of access.

6.7.1.6 Temperature

If there is a risk of frost or condensation in the pulley rooms, precautions shall be taken to protect the equipment.

If the pulley rooms also contain electrical equipment, the ambient temperature shall be similar to that of the machine room.

6.7.1.7 Lighting and socket outlets

The pulley room shall be provided with permanently installed electric lighting with an intensity of at least 100 lux at the pulley(s). The supply for this lighting shall be in conformity with 13.6.1.

A switch, placed inside, close to the access point, at an appropriate height, shall control the lighting of the room.

At least one socket outlet in conformity with 13.6.2 shall be provided. See also 6.7.1.2.4.

If there are control panels and cabinets in the pulley room, the provisions of 6.3.7 apply.

6.7.2 Pulleys in the well

Diverter pulleys may be installed in the headroom of the well provided that they are located outside the projection of the car roof and that examinations and tests and maintenance operations can be carried out in complete safety from the car roof, from inside the car (6.4.3), from a platform (6.4.5) or from outside of the well.

However, a diverter pulley, with single or double wrap, may be installed above the car roof for diverting towards the counterweight, provided that its shaft can be reached in complete safety from the car roof or from a platform (6.4.5). ^{A2}

7 Landing doors

7.1 General provisions

The openings in the well giving access to the lift car shall be provided with imperforate landing doors.

When closed, the clearance between panels, or between panels and uprights, lintels or sills, shall be as small as possible.

This condition is considered to be fulfilled when the operational clearances do not exceed 6 mm. This value, due to wear, may reach 10 mm. These clearances are measured at the back of recesses, if present.

7.2 Strength of doors and their frames

7.2.1 Doors and their frames shall be constructed in such a way that they will not become deformed in the course of time. To this effect, it is recommended that they are made of metal.

7.2.2 Behaviour under fire conditions

Landing doors shall comply with the regulations relevant to the fire protection for the building concerned. PrEN 81-8 describes a method of the fire test.

7.2.3 Mechanical strength.

7.2.3.1 Doors, with their locks, shall have a mechanical strength such that in the locked position and when a force of 300 N, being evenly distributed over an area of 5 cm² in round or square section, is applied at right angles to the panel at any point on either face they shall:

- a) resist without permanent deformation;
- b) resist without elastic deformation greater than 15 mm;
- c) during and after such a test the safety function of the door shall not be affected.

7.2.3.2 Under the application of a manual force (without a tool) of 150 N in the direction of the opening of the leading door panel(s) of horizontally sliding doors and folding doors, at the most unfavourable point, the clearances defined in 7.1 may exceed 6 mm, but they shall not exceed:

- a) 30 mm for side opening doors;
- b) 45 mm in total for centre opening doors.

7.2.3.3 Door panels made of glass shall be fixed in such a way that forces demanded by this standard which may be applied are transferred without damaging the fixing of the glass.

Doors, with glass of dimensions greater than stated in 7.6.2, shall use laminated glass and, additionally withstand the pendulum shock tests, described in **annex J**.

After the tests the safety function of the door shall not be affected.

7.2.3.4 The fixing of the glass in doors shall ensure that the glass cannot slip out of the fixings, even when sinking.

7.2.3.5 The glass panels shall have markings giving the following information:

- a) name of the supplier and trade mark;
- b) type of glass;
- c) thickness (e.g. 8/8/0,76 mm).

7.2.3.6 To avoid dragging of children hands, automatic power operated horizontally sliding doors made of glass of dimensions greater than stated in 7.6.2 shall be provided with means to minimise the risk, such as:

- a) reducing the coefficient of friction between hands and glass;
- b) making the glass opaque up to a height of 1,10 m;

- c) sensing the presence of fingers, or
- d) other equivalent methods.

7.3 Height and width of entrances

7.3.1 Height

Landing doors shall be such that a minimum clear height of the entrance is 2 m.

7.3.2 Width

The clear entrance of the landing doors shall not extend more than 50 mm in width beyond the clear car entrance on both sides.

7.4 Sills, guides, door suspension

7.4.1 Sills

Every landing entrance shall incorporate a sill of sufficient strength to withstand the passage of loads being introduced into the car.

NOTE It is recommended that a slight counter slope be provided in front of each landing sill to avoid water from washing, sprinkling, etc., draining into the well.

7.4.2 Guides

7.4.2.1 Landing doors shall be designed to prevent, during normal operation, derailment, mechanical jamming, or displacement at the extremities of their travel.

Where the guides may become ineffective due to wear, corrosion or fire, emergency guidance shall be provided to maintain the landing doors in their position.

7.4.2.2 Horizontally sliding landing doors shall be guided top and bottom.

7.4.2.3 Vertically sliding landing doors shall be guided at both sides.

7.4.3 Suspension of vertically sliding doors

7.4.3.1 Panels of vertically sliding landing doors shall be fixed to two independent suspension elements.

7.4.3.2 Suspension ropes, chains, belts shall be designed with a safety factor of at least 8.

7.4.3.3 The pitch diameter of suspension rope pulleys shall be at least 25 times the rope diameter.

7.4.3.4 Suspension ropes and chains shall be guarded against leaving the pulley grooves or sprockets.

7.5 Protection in relation to door operation

7.5.1 General

The doors and their surrounds shall be designed in such a way as to minimize risk of damage or injury due to jamming of a part of the person, clothing or other object.

To avoid the risk of shearing during operation, the exterior face of automatic power operated sliding doors shall not have recesses or projections exceeding 3 mm. Edges of these shall be chamfered in the opening direction of movement.

Exception to these requirements is made for the access to the unlocking triangle defined in **annex B**.

7.5.2 Power operated doors

Power operated doors shall be designed to reduce to a minimum the harmful consequences of a person being struck by a door panel.

To this effect, the following requirements shall be met:

7.5.2.1 Horizontally sliding doors

7.5.2.1.1 Automatic power operated doors

7.5.2.1.1.1 The effort needed to prevent the door closing shall not exceed 150 N. This measurement shall not be made in the first third of the travel of the door.

7.5.2.1.1.2 The kinetic energy of the landing door and the mechanical elements which are rigidly connected to it, calculated or measured ⁵⁾ at the average closing speed shall not exceed 10 J.

The average closing speed of a sliding door is calculated over its whole travel, less:

- a) 25 mm at each end of the travel in the case of centrally closing doors;
- b) 50 mm at each end of the travel in the case of side closing doors.

7.5.2.1.1.3 A protective device shall automatically initiate re-opening of the door in the event of a person being struck, or about to be struck, by the door in crossing the entrance during the closing movement.

This protective device may be that for the car door (see **8.7.2.1.1.3**).

The effect of the device may be neutralized during the last 50 mm of travel of each leading door panel.

In the case of a system, which makes the protective device inoperative after a predetermined time, to counteract persistent obstructions when closing the door, the kinetic energy defined in **7.5.2.1.1.2** shall not exceed 4 J during movement of the door with the protective device inoperative.

7.5.2.1.1.4 In the case of coupled car and landing doors operated simultaneously, the requirements of **7.5.2.1.1.1** and **7.5.2.1.1.2** are valid for the joined door mechanism.

7.5.2.1.1.5 The effort needed to prevent a folding door from opening shall not exceed 150 N. This measurement shall be made with the door collapsed such that the adjacent outer edges of the folded panels or equivalent, e.g. door frame, are at a distance of 100 mm.

5) Measured using, for example, a device consisting of a graduated piston acting on a spring with a spring constant of 25 N/mm, and fitted with an easy sliding ring allowing the extreme point of movement at the moment of impact to be measured. An easy calculation allows the graduation corresponding to the limits fixed to be determined.

7.5.2.1.2 Non-automatic power operated doors

When the closing of the door is carried out under the continuous control and supervision of the user, by continuous pressure on a button or similar (hold-to-run control), the average closing speed of the fastest panel shall be limited to 0,3 m/s, when the kinetic energy, calculated or measured as stated in **7.5.2.1.1.2**, exceeds 10 J.

7.5.2.2 Vertically sliding doors

This type of sliding door shall only be used for goods passenger lifts.

Power closing shall only be used if the following four conditions are fulfilled at the same time:

- a) the closing is carried out under the continuous control and supervision of the users;
- b) the average closing speed of the panels is limited to 0,3 m/s;
- c) the car door is of construction as provided for in **8.6.1**;
- d) the car door is at least two-thirds closed before the landing door begins to close.

7.5.2.3 Other types of doors

When using other types of doors, e.g. swing doors, with power operation, where there is a risk when opening or closing, of striking persons, precautions similar to those laid down for power operated sliding doors shall be taken.

7.6 Local lighting and “car here” signal lights

7.6.1 Local lighting

The natural or artificial lighting of the landings in the vicinity of landing doors shall be at least 50 lux at floor level, such that a user can see ahead when he is opening the landing door to enter the lift, even if the car light has failed (see **0.2.5**).

7.6.2 “Car here” indication

In the case of landing doors with manual opening, the user needs to know, before opening the door, whether the car is there or not.

To this effect, there shall be installed, either:

- a) one or more transparent vision panels conforming to the following four conditions at the same time:
 - 1) mechanical strength as specified in **7.2.3.1**, with the exception of the pendulum shock tests;
 - 2) minimum thickness of 6 mm;
 - 3) minimum glazed area per landing door of 0,015 m² with a minimum of 0,01 m² per vision panel;
 - 4) width of at least 60 mm, and at most 150 mm. The lower edge of vision panels which are wider than 80 mm shall be at least 1 m above floor level, or
- b) an illuminated “car here” signal which can only light up when the car is about to stop or has stopped at the particular landing. The signal shall remain illuminated whilst the car remains there.

7.7 Locking and closed landing door check

7.7.1 Protection against the risk of falling

It shall not be possible in normal operation to open a landing door (or any of the panels in the case of a multi-panel door) unless the car has stopped, or is on the point of stopping, in the unlocking zone of that door.

The unlocking zone shall not extend more than 0,20 m above and below the landing level.

In the case, however, of mechanically operated car and landing doors operating simultaneously, the unlocking zone may extend to a maximum of 0,35 m above and below the landing level.

7.7.2 Protection against shearing

7.7.2.1 With the exception of **7.7.2.2**, it shall not be possible in normal operation to start the lift nor keep it in motion if a landing door, or any of the panels in the case of a multi-panel door is open. However, preliminary operations for the movement of the car may take place.

7.7.2.2 Operation with doors open is permitted in the following zones:

- a) in the unlocking zone to permit levelling or relevelling at the corresponding floor level, provided the requirements of **14.2.1.2** are met;
- b) in a zone extending to a maximum height of 1,65 m above the landing level to permit the loading or unloading of the car, provided the requirements of **8.4.3**, **8.14** and **14.2.1.5** are met, and:
 - 1) the clear height between the landing door header and the floor of the car, in any position, shall not be less than 2 m, and
 - 2) whatever the position of the car inside this zone, it must be possible, without special operation, to effect the complete closure of the landing door.

7.7.3 Locking and emergency unlocking

Each landing door shall be provided with a locking device satisfying the conditions of **7.7.1**.

This device shall be protected against deliberate misuse.

7.7.3.1 Locking

The effective locking of the landing door in the closed position shall precede the movement of the car. However, preliminary operations for the movement of the car may take place. The locking must be proved by an electric safety device in conformity with **14.1.2**.

7.7.3.1.1 The car shall not be able to start until the locking elements are engaged by at least 7 mm; see **figure 3**.

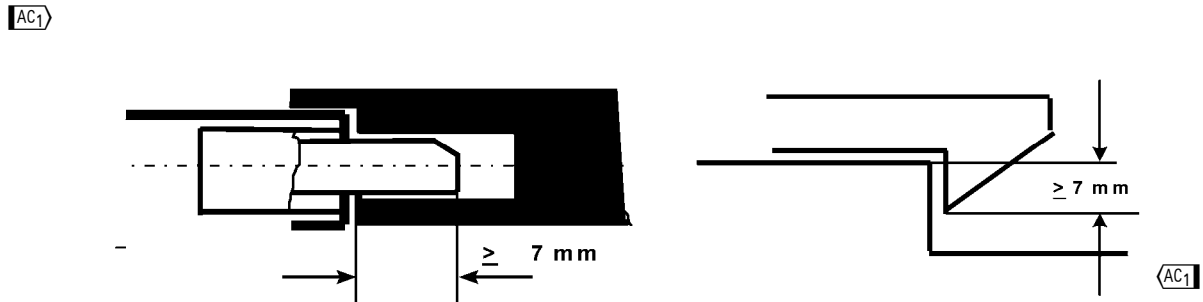


Figure 1 — Examples of locking elements

7.7.3.1.2 The element of the electric safety device proving the locked condition of the door panel(s) shall be positively operated without any intermediate mechanism by the locking element. It shall be foolproof but adjustable if necessary.

Specific case: In the case of locking devices used in installations requiring special protection against risks of humidity or explosion the connection may be only positive, provided the link between the mechanical lock and the element of the electric safety device proving the locked condition, can only be interrupted by destroying deliberately the locking device.

7.7.3.1.3 For hinged doors, locking shall be effected as near as possible to the vertical closing edge(s) of the doors, and maintained even in the case of panels sagging.

7.7.3.1.4 The locking elements and their fixings shall be resistant to shock, and be made or reinforced with metal.

7.7.3.1.5 The engagement of the locking elements shall be achieved in such a way that a force of 300 N in the opening direction of the door does not diminish the effectiveness of locking.

7.7.3.1.6 The lock shall resist, without permanent deformation during the test laid down in F.1, a minimum force at the level of the lock and in the direction of opening of the door of:

- a) 1000 N in the case of sliding doors;
- b) 3000 N on the locking pin, in the case of hinged doors.

7.7.3.1.7 The locking action shall be effected and maintained by the action of gravity, permanent magnets, or springs. The springs shall act by compression, be guided and of such dimensions that, at the moment of unlocking, the coils are not compressed solid.

In the event of the permanent magnet (or spring) no longer fulfilling its function, gravity shall not cause unlocking.

If the locking element is maintained in position by the action of a permanent magnet, it shall not be possible to neutralize its effect by simple means (e.g. heat or shock).

7.7.3.1.8 The locking device shall be protected against the risk of an accumulation of dust, which could hinder its proper functioning.

7.7.3.1.9 Inspection of the working parts shall be easy, as, for example, by use of a vision panel.

7.7.3.1.10 In the case where the lock contacts are in a box, the fixing screws for the cover shall be of the captive type, so that they remain in the holes in the cover or box when opening the cover.

7.7.3.2 Emergency unlocking

Each of the landing doors shall be capable of being unlocked from the outside with the aid of a key, which will fit the unlocking triangle as defined in **annex B**.

Keys of this type shall be given only to a responsible person. They shall be accompanied by a written instruction detailing the essential precautions to be taken in order to avoid accidents which could result from an unlocking which was not followed by effective relocking.

After an emergency unlocking, the locking device shall not be able to remain in the unlocked position with the landing door closed.

In the case of landing doors driven by the car door, a device (either weight or springs) shall ensure the automatic closing of the landing door if this door becomes open, for whatever reason, when the car is outside the unlocking zone.

7.7.3.3 The locking device is regarded as a safety component and shall be verified according to the requirements in F.1.

7.7.4 Electrical device for proving the landing door closed

7.7.4.1 Each landing door shall be provided with an electric safety device in conformity with **14.1.2** for proving the closed position, so that the conditions imposed by **7.7.2** are satisfied.

7.7.4.2 In the case of horizontally sliding landing doors, coupled with car doors, this device may be in common with the device for proving the locked condition, provided that it is dependent upon the effective closing of the landing door.

7.7.4.3 In the case of hinged landing doors, this device shall be placed adjacent to the closing edge of the door or on the mechanical device proving the closed condition of the door.

7.7.5 Requirements common to devices for proving the locked condition and the closed condition of the door

7.7.5.1 It shall not be possible, from positions normally accessible to persons, to operate the lift with a landing door open or unlocked, after one single action not forming part of the normal operating sequence.

7.7.5.2 The means used to prove the position of a locking element shall have positive operation.

7.7.6 Sliding doors with multiple, mechanically linked panels

7.7.6.1 If a sliding door comprises several directly mechanically linked panels, it is permitted:

- a) to place the device required in **7.7.4.1** or **7.7.4.2**, on a single panel, and
- b) to lock only one panel, provided that this single locking prevents the opening of the other panel(s) by hooking the panels in the closed position in case of telescopic doors.

7.7.6.2 If a sliding door comprises several indirectly, mechanically linked panels (e.g. by rope, belt or chain), it is permitted to lock only one panel provided that this single locking will prevent the opening of other panels, and that these are not fitted with a handle.

The closed position of the other panel(s), not locked by the locking device, shall be proved by an electric safety device in conformity with **14.1.2**.

7.8 Closing of automatically operated doors

In normal operation, automatically operated landing doors shall be closed after the necessary period of time, which may be defined according to the traffic using the lift, in the absence of a command for the movement of the car.

8 Car, counterweight and balancing weight

8.1 Height of car

8.1.1 The interior clear height of the car shall be at least 2 m.

8.1.2 The clear height of the car entrance(s) for the normal access of users shall be at least 2 m.

8.2 Available car area, rated load, number of passengers

8.2.1 General case

To prevent an overloading of the car by persons, the available area of the car shall be limited. To this effect the relationship between rated load and maximum available area is given in **table 1.1**.

Recesses and extensions, even of height less than 1 m, whether protected or not by separating doors, are only permitted if their area is taken into account in the calculation of maximum available car area.

Any available area in the entrance, when the doors are closed, shall also be taken into account.

Furthermore, overloading of the car shall be monitored by means of a device according to **14.2.5**.

Table 1.1

Rated load, mass kg	Maximum available car area m ²	Rated load, mass kg	Maximum available car area m ²
100 ¹⁾	0,37	900	2,20
180 ²⁾	0,58	975	2,35
225	0,70	1000	2,40
300	0,90	1050	2,50
375	1,10	1125	2,65
400	1,17	1200	2,80
450	1,30	1250	2,90
525	1,45	1275	2,95
600	1,60	1350	3,10
630	1,66	1425	3,25
675	1,75	1500	3,40
750	1,90	1600	3,56
800	2,00	2000	4,20
825	2,05	2500 ³⁾	5,00

1) Minimum for 1 person lift.
2) Minimum for 2 persons lift.
3) Beyond 2500 kg add 0,16 m² for each extra 100 kg.
For intermediate loads the area is determined by linear interpolation.

8.2.2 Goods passenger lifts

The requirements of 8.2.1 shall be applied and, in addition, design calculations shall take into account not only the rated load but also the weight of handling devices, which may enter the car.

8.2.3 Number of passengers

The number of passengers shall be obtained from:

- a) either, the formula, $\frac{\text{rated load}}{75}$, and the result rounded down to the nearest whole number, or
- b) **table 1.2** which gives the smaller value.

Table 1.2

Number of passengers	Minimum available car area m ²	Number of passengers	Minimum available car area m ²
1	0,28	11	1,87
2	0,49	12	2,01
3	0,60	13	2,15
4	0,79	14	2,29
5	0,98	15	2,43
6	1,17	16	2,57
7	1,31	17	2,71
8	1,45	18	2,85
9	1,59	19	2,99
10	1,73	20	3,13

Beyond 20 passengers add 0,115 m² for each extra passenger.

8.3 Walls, floor and roof of the car

8.3.1 The car shall be completely enclosed by walls, floor and roof, the only permissible openings being as follows:

- a) entrances for the normal access of users;
- b) emergency trap doors and doors;
- c) ventilation apertures.

8.3.2 The walls, floor and roof shall have sufficient mechanical strength. The assembly comprising the sling, guide shoes, walls, floor and roof of the car shall have sufficient mechanical strength to resist the forces which will be applied in normal lift operation, in safety gear operation or impact of the car on its buffers.

8.3.2.1 Each wall of the car shall have a mechanical strength such that when a force of 300 N, being evenly distributed over an area of 5 cm² in round or square section, is applied at right angles to the wall at any point from the inside of the car towards the outside, it shall:

- a) resist without any permanent deformation;
- b) resist without elastic deformation greater than 15 mm.

8.3.2.2 Walls with glass shall use laminated glass and, additionally withstand the pendulum shock tests, described in **annex J**.

After the tests the safety function of the wall shall not be affected.

Car walls with glass placed lower than 1,10 m from the floor shall have a handrail at a height between 0,90 m and 1,10 m. This handrail shall be fastened independently from the glass.

8.3.2.3 The fixing of the glass in the wall shall ensure that the glass cannot slip out of the fixings, even when sinking.

8.3.2.4 The glass panels shall have markings giving the following information:

- a) name of the supplier and trademark;
- b) type of glass;
- c) thickness (e.g. 8/8/0,76 mm).

8.3.2.5 The car roof shall satisfy the requirements of **8.13**.

8.3.3 The walls, floor and roof shall not be made of materials likely to become dangerous through too great a flammability or through the nature and quantity of gas and fumes they may generate.

8.4 Apron

8.4.1 Each car sill shall be fitted with an apron, which extends to the full width of the clear landing entrance, which it faces. This vertical section shall be extended downwards by a chamfer whose angle with the horizontal plane shall be greater than 60°. The projection of this chamfer of the horizontal plane shall be not less than 20 mm.

8.4.2 The height of the vertical portion shall be at least 0,75 m.

8.4.3 In the case of a lift with a docking operation (**14.2.1.5**), the height of the vertical portion shall be such that, with the car in the highest loading or unloading position, it extends at least 0,10 m below the landing sill.

8.5 Car entrance

Car entrances shall be provided with doors.

8.6 Car doors

8.6.1 The car doors shall be imperforate, except for goods passenger lifts, which may use vertically sliding car doors, opening upwards, and these may be in mesh or perforated panel form. The dimensions of the mesh or perforations shall not exceed 10 mm horizontally and 60 mm vertically.

8.6.2 The car doors when closed shall, apart from the necessary clearances, completely close the car entrances.

8.6.3 When closed, the clearance between panels, or between panels and uprights, lintels or sills, shall be as small as possible.

This condition is considered to be fulfilled when the operational clearances do not exceed 6 mm. This value, due to wear, may reach 10 mm. These clearances are measured at the back of recesses, if present. Exception is made for vertically sliding doors, according to 8.6.1.

8.6.4 In the case of hinged doors, they shall strike stops to prevent them swinging outside the car.

8.6.5 The car door shall be fitted with a vision panel(s) if the landing door has a vision panel(s) (**7.6.2 a**) unless the car door is automatic and remains in the open position when the car is stationary at the level of a landing.

When a vision panel(s) is fitted it shall satisfy the requirements of **7.6.2 a)** and be positioned in the car door such that it is in visual alignment with the landing door vision panel(s) when the car is at the level of the landing.

8.6.6 Sills, guides, door suspension

The provisions of **7.4** relevant to car doors shall be observed.

8.6.7 Mechanical strength

8.6.7.1 Car doors in the closed position shall have a mechanical strength such that when a force of 300 N, being evenly distributed over an area of 5 cm² in round or square section, is applied at right angles to the door, at any point, from the inside of the car towards the outside, they shall:

- a) resist without permanent deformation;
- b) resist without elastic deformation greater than 15 mm;
- c) during and after such a test the safety function of the door shall not be affected.

8.6.7.2 Door panels made of glass shall be fixed in such a way that forces demanded by this standard which may be applied are transferred without damaging the fixing of the glass.

Doors, with glass of dimensions greater than stated in **7.6.2**, shall use laminated glass and, additionally withstand the pendulum shock tests, described in **annex J**.

After the tests the safety function of the door shall not be affected.

8.6.7.3 The fixing of the glass in doors shall ensure that the glass cannot slip out of the fixings, even when sinking.

8.6.7.4 The glass panels shall have markings giving the following information:

- a) name of the supplier and trademark;
- b) type of glass;
- c) thickness (e.g. 8/8/0,76 mm).

8.6.7.5 To avoid dragging of children hands, automatic power operated horizontally sliding doors made of glass of dimensions greater than stated in **7.6.2** shall be provided with means to minimise the risk, such as:

- a) reducing the coefficient of friction between hands and glass;
- b) making the glass opaque up to a height of 1,10 m;
- c) sensing the presence of fingers, or
- d) other equivalent methods.

8.7 Protection during operation of doors

8.7.1 General

The doors and their surrounds shall be designed in such a way as to minimize risk of damage or injury due to jamming of a part of the person, clothing or other object.

To avoid the risk of shearing during operation, the face on the car side of automatic power operated sliding doors shall not have recesses or projections exceeding 3 mm. Edges of these shall be chamfered in the opening direction of movement. Both is not required for perforated doors in accordance with **8.6.1**.

8.7.2 Power operated doors

Power operated doors shall be designed to reduce to a minimum the harmful consequences of a person being struck by a door panel.

To this effect the following requirements shall be met.

In the case of coupled car and landing doors, operated simultaneously the following requirements are valid for the joint door mechanism.

8.7.2.1 Horizontally sliding doors

8.7.2.1.1 Automatic power operated doors

8.7.2.1.1.1 The effort needed to prevent the door closing shall not exceed 150 N. This measurement shall not be made in the first third of the travel of the door.

8.7.2.1.1.2 The kinetic energy of the car door and the mechanical elements, which are rigidly connected to it, calculated or measured ⁶⁾ at the average closing speed shall not exceed 10 J.

The average closing speed of a sliding door is calculated over its whole travel, less:

- a) 25 mm at each end of the travel in the case of centrally closing doors;
- b) 50 mm at each end of the travel in the case of side closing doors.

8.7.2.1.1.3 A protective device shall automatically initiate re-opening of the door in the event of a person being struck, or about to be struck, by the door in crossing the entrance during the closing movement.

The effect of the device may be neutralized during the last 50 mm of travel of each leading door panel.

In the case of a system which makes the protection device inoperative after a predetermined period of time, to counteract persistent obstructions when closing the door, the kinetic energy defined in **8.7.2.1.1.2** shall not exceed 4 J during movement of the door with the protective device inoperative.

6) Measured using, for example, a device consisting of a graduated piston acting on a spring with a spring constant of 25 N/mm, and fitted with an easy sliding ring allowing the extreme point of movement at the moment of impact to be measured. An easy calculation allows the graduation corresponding to the limits fixed to be determined.

8.7.2.1.1.4 The effort needed to prevent a folding door from opening shall not exceed 150 N. This measurement shall be made with the door collapsed such that the adjacent outer edges of the folded panels or equivalent, e.g. doorframe, are at a distance of 100 mm.

8.7.2.1.1.5 If a folding door is going into a recess the distance between any outer edge of the doorfold and the recess shall be at least 15 mm.

8.7.2.1.2 Non-automatic power operated doors

When the closing of the door is carried out under the continuous control and supervision of the user, by continuous pressure on a button or similar (hold-to-run control), the average closing speed of the fastest panel shall be limited to 0,3 m/s, when the kinetic energy, calculated or measured as stated in **7.5.2.1.1.2**, exceeds 10 J.

8.7.2.2 Vertically sliding doors

This type of sliding door shall only be used for goods passenger lifts.

Power closing shall only be used if the following four conditions are fulfilled at the same time:

- a) the closing is carried out under the continuous control and supervision of the users;
- b) the average closing speed of the panels is limited to 0,3 m/s;
- c) the car door is of construction as provided for in **8.6.1**;
- d) the car door is at least two-thirds closed before the landing door begins to close.

8.8 Reversal of closing movement

If doors are automatic power operated a device permitting the closing movement to be reversed shall be located with the other car controls.

8.9 Electrical device for proving the car doors closed

8.9.1 With the exception of **7.7.2.2**, it shall not be possible in normal operation to start the lift nor keep it in motion if a car door (or any of the panels in the case of a multi-panel door) is open.

However, preliminary operations for the movement of the car may take place.

8.9.2 Each car door shall be provided with an electric safety device for proving the closed position in conformity with **14.1.2** so that the conditions imposed by **8.9.1** are satisfied.

8.9.3 If the car door needs to be locked (see **11.2.1 c**)), the locking device shall be designed and operated in analogy to the landing door locking device (see **7.7.3.1** and **7.7.3.3**).

8.10 Sliding doors with multiple, mechanically linked panels

8.10.1 If a sliding door comprises several directly mechanically linked panels, it is permitted:

- a) to place the device (**8.9.2**) either:
 - 1) on a single panel (the rapid panel in the case of telescopic doors), or
 - 2) on the door driving element if the mechanical connection between this element and the panels is direct, and

b) in the case and conditions laid down in **11.2.1 c)**, to lock only one panel, provided that this single locking prevents the opening of the other panels by hooking the panels in the closed position in the case of telescopic doors.

8.10.2 If a sliding door comprises several indirectly mechanically linked panels (e.g. by rope, belt or chain), it is permitted to place the device (**8.9.2**) on a single panel, provided that:

- a) this is not the driven panel, and
- b) the driven panel is directly mechanically linked to the door driving element.

8.11 Opening the car door

8.11.1 In order to permit passengers to leave the lift car, if the lift stops for any reason close to a landing, it shall be possible with the car stopped and the supply to the door operator (if any) disconnected:

- a) to open or partly open the car door by hand from the landing;
- b) to open or partly open the car door together with the landing door linked to it if they are coupled, by hand from within the car.

8.11.2 The opening of the car door provided for in **8.11.1** shall be able to be carried out at least in the unlocking zone.

The force necessary to open it shall not exceed 300 N.

In the case of lifts covered by **11.2.1 c)**, the opening of the car door from inside the car shall be possible only when the car is in the unlocking zone.

8.11.3 The opening of the car door with the lift in motion, the rated speed of which exceeds 1 m/s, shall require a force greater than 50 N.

This requirement is not obligatory in the unlocking zone.

8.12 Emergency trap doors and emergency doors

8.12.1 Assistance to passengers in the car shall always come from outside, being provided in particular by the emergency operation mentioned in **12.5**.

8.12.2 If there is an emergency trap door in the car roof to permit the rescue and evacuation of passengers, it shall measure at least 0,35 m x 0,50 m.

8.12.3 Emergency doors may be used in the case of adjacent cars, provided, however, that the horizontal distance between cars does not exceed 0,75 m (see **5.2.2.1.2**).

If emergency doors exist, they shall measure at least 1,80 m high and 0,35 m wide.

8.12.4 If emergency trap doors or doors are installed, they shall conform to **8.3.2** and **8.3.3**, also to the following:

8.12.4.1 Emergency trap doors and doors shall be provided with a means for manual locking.

8.12.4.1.1 Emergency trap doors shall be opened from outside the car without a key and from inside the car with a key suited to the triangle defined in **annex B**.

Emergency trap doors shall not open towards the inside of the car.

Emergency trap doors in the open position shall not project beyond the edge of the lift car.

8.12.4.1.2 Emergency doors shall be opened from outside the car without a key and from inside the car using a key suited to the triangle defined in **annex B**.

Emergency doors shall not open towards the outside of the car.

Emergency doors shall not be located in the path of a counterweight or a balancing weight or in front of a fixed obstacle (except for beams separating the cars) preventing passage from one car to another.

8.12.4.2 The locking called for in **8.12.4.1** shall be proved by means of an electric safety device in conformity with **14.1.2**.

This device shall cause the lift to stop if the locking ceases to be effective.

Restoring the lift to service shall only be possible after deliberate relocking.

8.13 Car roof

In addition to **8.3**, the car roof shall fulfil the following requirements:

8.13.1 The car roof shall be able to support at any position the mass of two persons, each counting for 1000 N on an area of 0,20 m x 0,20 m, without permanent deformation.

8.13.2 The car roof shall have at one point a clear area for standing of at least 0,12 m², in which the lesser dimension is at least 0,25 m.

8.13.3 The car roof shall be provided with a balustrade where the free distance in a horizontal plane, beyond and perpendicular to its outer edge exceeds 0,30 m.

The free distances shall be measured to the wall of the well allowing a larger distance in recesses, the width or height of which is less than 0,30 m.

The balustrade shall fulfil the following requirements:

8.13.3.1 It shall consist of a handrail, a toe guard of 0,10 m height and an intermediate bar at half the height of the balustrade.

8.13.3.2 Considering the free distance in a horizontal plane beyond the outer edge of the handrail of the balustrade, its height shall be at least:

a) 0,70 m where the free distance is up to 0,85 m;

b) 1,10 m where the free distance exceeds 0,85 m.

8.13.3.3 The horizontal distance between the outer edge of the handrail and any part in the well (counterweight or balancing weight, switches, rails, brackets, etc.) shall be at least 0,10 m.

8.13.3.4 The balustrade at the access side(s) shall provide safe and easy access to the car roof.

8.13.3.5 The balustrade shall be located within 0,15 m maximum of the edges of the car roof.

8.13.4 In case of a balustrade, a warning sign or a notice about the danger of leaning over the balustrade shall be fixed to it, where appropriate.

8.13.5 Glass used for the car roof shall be laminated.

8.13.6 Pulleys and/or sprockets fixed to the car shall have protection according to **9.7**.

8.14 Car header

If a gap can exist between the car roof and the header of a landing door when this door is opened, the upper part of the car entrance shall be extended upwards, over the whole width of the landing door, by a rigid vertical panel to fill the gap considered. This possibility is to be envisaged in particular in the case of a lift with a docking operation (**14.2.1.5**).

8.15 Equipment on top of the car

The following shall be installed on top of the car:

- a) control device in conformity with **14.2.1.3** (inspection operation);
- b) stopping device in conformity with **14.2.2** and **15.3**;
- c) socket outlet in conformity with **13.6.2**.

8.16 Ventilation

8.16.1 Cars with imperforate doors shall be provided with ventilation apertures in the upper and lower parts of the car.

8.16.2 The effective area of ventilation apertures situated in the upper part of the car shall be at least 1 % of the available car area, and the same also applies for the apertures in the lower part of the car.

The gaps round the car doors may be taken into account in the calculation of the area of ventilation holes, up to 50 % of the required effective area.

8.16.3 Ventilation apertures shall be built or arranged in such a way that it is not possible to pass a straight rigid rod 10 mm in diameter through the car walls from the inside.

8.17 Lighting

8.17.1 The car shall be provided with electrical lighting that is permanently installed ensuring a light intensity of at least 50 lux at floor level and on the control devices.

8.17.2 If lighting is of the incandescent type, there shall be at least two lamps connected in parallel.

8.17.3 The car shall be continuously illuminated when the lift is in use.

In the case of automatically power operated doors the light may be switched off when the car is parked at a landing with the doors closed in accordance with **7.8**.

8.17.4 There shall be an automatically rechargeable emergency supply, which is capable of feeding at least a 1 W lamp for 1 h in case of an interruption of the normal lighting supply. This lighting shall come on automatically upon failure of the normal lighting supply.

8.17.5 If the supply referred to **8.17.4** is also used to feed the emergency alarm signal called for in **14.2.3**, its capacity shall be rated accordingly.

8.18 Counterweight and balancing weight

The use of a balancing weight is defined in **12.2.1**.

8.18.1 If the counterweight or the balancing weight incorporates filler weights, necessary measures shall be taken to prevent their displacement. To this effect the following shall be used:

- a) either a frame in which the fillers are secured, or
- b) if the fillers are made of metal, and if the rated speed of the lifts does not exceed 1 m/s, a minimum of two tie-rods on which the fillers are secured.

8.18.2 Pulleys and/or sprockets fixed to the counterweight or to the balancing weight shall have protection according to **9.7**.

9 Suspension, compensation, overspeed protection and protection against unintended car movement

9.1 Suspension

9.1.1 Cars, counterweights or balancing weights shall be suspended from steel wire ropes, or steel chains with parallel links (Galle type) or roller chains.

9.1.2 The ropes shall correspond to the following requirements:

- a) the nominal diameter of the ropes shall be at least 8 mm;
- b) the tensile strength of the wires shall be:
 - 1) 1570 N/mm² or 1770 N/mm² for ropes of single tensile, or
 - 2) 1370 N/mm² for the outer wires and 1770 N/mm² for the inner wires of ropes of dual tensile.
- c) the other characteristics (construction, extension, ovality, flexibility, tests....) shall at least correspond to those specified in the relevant European standards.

9.1.3 The minimum number of ropes or chains shall be two.

Ropes or chains shall be independent.

9.1.4 Where reeving is used the number to take into account is that of the ropes or chains and not the falls.

9.2 Sheave, pulley, drum and rope diameter ratios, rope/chain terminations

9.2.1 The ratio between the pitch diameter of sheaves, pulleys or drums and the nominal diameter of the suspension ropes shall be at least 40, regardless of the number of strands.

9.2.2 The safety factor of the suspension ropes shall be calculated according to **annex N**. In no case it shall be less than:

- a) 12 in the case of traction drive with three ropes or more;

- b) 16 in the case of traction drive with two ropes;
- c) 12 in the case of drum drive.

The safety factor is the ratio between the minimum breaking load, in newtons, of one rope and the maximum force, in newtons, in this rope, when the car is stationary at the lowest landing, with its rated load.

9.2.3 The junction between the rope and the rope termination, according to **9.2.3.1**, shall be able to resist at least 80 % of the minimum breaking load of the rope.

9.2.3.1 The ends of the ropes shall be fixed to the car, counterweight or balancing weight, or suspension points of the dead parts of reeved ropes by means of metal or resin filled sockets, self tightening wedge type sockets, heart shaped thimbles with at least three suitable rope grips, hand spliced eyes, ferrule secured eyes, or any other system with equivalent safety.

9.2.3.2 The fixing of the ropes on the drums shall be carried out using a system of blocking with wedges, or using at least two clamps or any other system with equivalent safety.

9.2.4 The safety factor of the suspension chains shall be at least 10.

The safety factor is defined in a manner analogous to that indicated in **9.2.2** for ropes.

9.2.5 The ends of each chain shall be fixed to the car, counterweight or balancing weight, or suspension points of the dead parts of reeved chains by suitable terminations. The junction between the chain and the chain termination shall be able to resist at least 80 % of the minimum breaking load of the chain.

9.3 Rope traction

Rope traction shall be such that the following three conditions are fulfilled:

- a) the car shall be maintained at floor level without slip when loaded to 125 % as per **8.2.1** or **8.2.2**;
- b) it shall be ensured that any emergency braking causes the car, whether empty or with rated load, to decelerate with a value not exceeding the setting of the buffer, including reduced stroke buffer;
- c) it shall not be possible to raise the empty car when the counterweight is resting on the buffers, and the lift machine is rotated in the "up" direction.

Design considerations are given in **annex M**.

9.4 Winding up of ropes for positive drive lifts

9.4.1 The drum, which can be used in the conditions laid down in **12.2.1 b)** shall be helically grooved and the grooves shall be suited to the ropes used.

9.4.2 When the car rests on its fully compressed buffers, one and a half turns of rope shall remain in the grooves of the drum.

9.4.3 There shall only be one layer of rope wound on the drum.

9.4.4 The angle of deflection (fleet angle) of the ropes in relation to the grooves shall not exceed 4°.

9.5 Distribution of load between the ropes or the chains

9.5.1 An automatic device shall be provided for equalizing the tension of suspension ropes or chains, at least at one of their ends.

9.5.1.1 For chains engaging with sprockets, the ends fixed to the car as well as the ends fixed to the balancing weight shall be provided with such equalization devices.

9.5.1.2 For chains in the case of multiple return sprockets on the same shaft, these sprockets shall be able to rotate independently.

9.5.2 If springs are used to equalize the tension they shall work in compression.

9.5.3 In the case of two rope or two chain suspension of the car an electric safety device in conformity with **14.1.2** shall cause the lift to stop in case of abnormal relative extension of one rope or chain.

9.5.4 The devices for adjusting the length of ropes or chains shall be made in such a way that these devices cannot work themselves loose after adjustment.

9.6 Compensation with ropes

9.6.1 Whenever compensating ropes are used the following shall apply:

- a) tensioning pulleys shall be used;
- b) the ratio between the pitch diameter of the tensioning pulleys and the nominal diameter of the compensating ropes shall be at least 30;
- c) tensioning pulleys shall have protection according to **9.7**;
- d) the tension shall be provided by gravity;
- e) the minimum tension shall be checked by an electric safety device in conformity with **14.1.2**.

9.6.2 For lifts whose rated speed exceeds 3,5 m/s there shall be, in addition to **9.6.1**, an antirebound device.

The operation of the anti-rebound device shall initiate the stopping of the lift machine by means of an electric safety device in conformity with **14.1.2**.

9.7 Protection for traction sheaves, pulleys and sprockets

9.7.1 For traction sheaves, pulleys and sprockets, provisions shall be made according to **table 2** to avoid:

- a) bodily injury;
- b) the ropes/chains leaving the pulleys/sprockets, if slack;
- c) the introduction of objects between ropes/chains and pulleys/sprockets.

Table 2

Location of traction sheaves, pulleys and sprockets		Risk according to 9.7.1			
		a	b	c	
At the car	on the roof	x	x	x	
	under the floor		x	x	
On the counterweight / balancing weight			x	x	
In the machine room		x ²⁾	x	x ¹⁾	
In the pulley room			x		
In the well	Headroom	above car	x	x	
		beside car		x	
	between pit and headroom			x	x ¹⁾
	pit		x	x	x
At the overspeed governor and its tensioning pulley			x	x ¹⁾	
<p>x risk must be taken into account.</p> <p>1) required only if the ropes/chains are entering the traction sheave or the pulley/sprocket horizontally or at any angle above the horizontal up to a maximum of 90°.</p> <p>2) protection shall be nip guards as a minimum.</p>					

9.7.2 The devices used shall be constructed so that the rotating parts are visible, and do not hinder examination and maintenance operation. If they are perforated the gaps shall comply with EN 294, table 4.

The dismantling shall be necessary only in the following cases:

- a) replacement of a rope/chain;
- b) replacement of a pulley/sprocket;
- c) re-cutting of the grooves.

9.8 Safety gear

9.8.1 General provisions

9.8.1.1 The car shall be provided with a safety gear capable of operating in the downward direction and capable of stopping a car carrying the rated load, at the tripping speed of the overspeed governor, even if the suspension devices break, by gripping the guide rails, and of holding the car there.

A safety gear operating in upward direction may be used in accordance with **9.10**.

NOTE The safety gear operating devices shall preferably be located at the lower part of the car.

9.8.1.2 In the case envisaged in **5.5 b)**, the counterweight or the balancing weight shall also be equipped with safety gear, operating only on a downward moving counterweight or balancing weight, capable of stopping it, at the tripping speed of the overspeed governor (or if the suspension devices break in the specific case of **9.8.3.1**), by gripping the guide rails, and of holding the counterweight or the balancing weight there.

9.8.1.3 The safety gear is regarded as a safety component and shall be verified according to the requirements in **F.3**.

9.8.2 Conditions of use for different types of safety gear

9.8.2.1 Car safety gear shall be of the progressive type if the rated speed of the lift exceeds 1 m/s. It can be:

- a) of the instantaneous type with buffered effect if the rated speed does not exceed 1 m/s;
- b) of the instantaneous type if the rated speed does not exceed 0,63 m/s.

9.8.2.2 If the car carries several safety gears they shall all be of the progressive type.

9.8.2.3 The safety gear of the counterweight or balancing weight shall be of the progressive type if the rated speed exceeds 1 m/s, otherwise the safety gear may be of the instantaneous type.

9.8.3 Methods of tripping

9.8.3.1 The safety gear of the car, counterweight or balancing weight shall each be tripped by its own overspeed governor.

When the rated speed does not exceed 1 m/s, the safety gear of a counterweight or balancing weight may be tripped by the failure of the suspension gear or by a safety rope.

9.8.3.2 Safety gears shall not be tripped by devices, which operate electrically, hydraulically or pneumatically.

9.8.4 Retardation

For progressive safety gear the average retardation in the case of free fall with rated load in the car shall lie between $0,2 g_n$ and $1 g_n$.

9.8.5 Release

9.8.5.1 When a safety gear has tripped its release shall require the intervention of a competent person.

9.8.5.2 The release and automatic reset of a safety gear on the car, counterweight or balancing weight shall only be possible by raising the car, counterweight or balancing weight.

9.8.6 Constructional conditions

9.8.6.1 Jaws or blocks of safety gears shall not be used as guide shoes.

9.8.6.2 For safety gear of the instantaneous type with buffered effect, the design of the buffering systems shall be of the energy accumulation type with buffered return movement or the energy dissipation type, satisfying the requirements of **10.4.2** or **10.4.3**.

9.8.6.3 If the safety gear is adjustable, the final setting shall be sealed.

9.8.7 Inclination of the car floor

When the car safety gear operates, the floor of the car without or with the load uniformly distributed shall not incline more than 5 % from its normal position.

9.8.8 Electrical checking

When the car safety gear is engaged, an electric safety device in conformity with 14.1.2, mounted on the car shall initiate the stopping of the machine before or at the moment of safety gear operation.

9.9 Overspeed governor

9.9.1 Tripping of the overspeed governor for the car safety gear shall occur at a speed at least equal to 115 % of the rated speed and less than:

- a) 0,8 m/s for instantaneous safety gears except for the captive roller type, or
- b) 1 m/s for safety gears of the captive roller type, or
- c) 1,5 m/s for instantaneous safety gears with buffered effect and for progressive safety gear used for rated speeds not exceeding 1,0 m/s, or
- d) $1,25 \cdot v + \frac{0,25}{v}$, in metres per second for progressive safety gear for rated speeds exceeding 1,0 m/s.

NOTE For lifts where the rated speed exceeds 1 m/s, it is recommended to choose a tripping speed as close as possible to the value required in d).

9.9.2 For lifts with very heavy rated loads and low rated speeds, the overspeed governor shall be specially designed for this purpose.

NOTE It is recommended to choose a tripping speed as close as possible to the lower limit indicated in **9.9.1**.

9.9.3 The tripping speed of an overspeed governor for a counterweight or balancing weight safety gear shall be higher than that for the car safety gear according to **9.9.1**, not, however exceeding it by more than 10 %.

9.9.4 The tensile force in the overspeed governor rope produced by the governor, when tripped, shall be at least the greater of the following two values:

- a) twice that necessary to engage the safety gear, or

b) 300 N.

Overspeed governors using only traction to produce the force shall have grooves which:

- a) have been submitted to an additional hardening process, or
- b) have an undercut in accordance with **M.2.2.1**.

9.9.5 The direction of rotation, corresponding to the operation of the safety gear, shall be marked on the overspeed governor.

9.9.6 Overspeed governor ropes

9.9.6.1 The overspeed governor shall be driven by a wire rope designed for that purpose.

9.9.6.2 The minimum breaking load of the rope shall be related by a safety factor of at least 8 to the tensile force produced in the rope of the overspeed governor when tripped taking into account a friction factor μ_{\max} equal to 0,2 for traction type overspeed governor.

9.9.6.3 The nominal rope diameter shall be at least 6 mm.

9.9.6.4 The ratio between the pitch diameter of the pulleys for the overspeed governor rope and the nominal rope diameter shall be at least 30.

9.9.6.5 The overspeed governor rope shall be tensioned by a tensioning pulley. This pulley (or its tensioning weight) shall be guided.

9.9.6.6 During the engagement of the safety gear, the overspeed governor rope and its attachments shall remain intact, even in the case of a braking distance greater than normal.

9.9.6.7 The overspeed governor rope shall be easily detachable from the safety gear.

9.9.7 Response time

The response time of the overspeed governor before tripping shall be sufficiently short not to permit a dangerous speed to be reached before the moment of safety gear operation (see **F.3.2.4.1**).

9.9.8 Accessibility

9.9.8.1 The overspeed governor shall be accessible and reachable for inspection and maintenance.

9.9.8.2 If located in the well the overspeed governor shall be accessible and reachable from outside the well.

9.9.8.3 The requirement of **9.9.8.2** does not apply if the following three conditions are fulfilled:

- a) the tripping of the overspeed governor according to **9.9.9** is effected by means of a remote control, except cableless, from outside the well whereby an involuntary tripping is not effected and the actuation device is not accessible to unauthorised persons, and
- b) the overspeed governor is accessible for inspection and maintenance from the roof of the car or from the pit, and
- c) the overspeed governor returns after tripping automatically into the normal position, as the car, counterweight or balancing weight is moved in the upward direction.

However the electrical parts may return into the normal position by remote control from the outside of the well which shall not influence the normal function of the overspeed governor.

9.9.9 Possibility of tripping the overspeed governor

During checks or tests it shall be possible to operate the safety gear at a lower speed than that indicated in **9.9.1** by tripping the overspeed governor in a safe way.

9.9.10 If the overspeed governor is adjustable, the final setting shall be sealed.

9.9.11 Electrical checking

9.9.11.1 The overspeed governor or another device shall, by means of an electric safety device in conformity with **14.1.2**, initiate the stopping of the lift machine before the car speed, either up or down, reaches the tripping speed of the governor.

However, for rated speeds not exceeding 1 m/s, this device may operate at latest at the moment when the tripping speed of the governor is reached.

9.9.11.2 If after release of the safety gear (**9.8.5.2**) the overspeed governor does not automatically reset itself, an electric safety device in conformity with **14.1.2** shall prevent the starting of the lift while the overspeed governor is not in the reset position. This device shall, however, be made inoperative in the case provided for in **AC1** 14.2.1.4 c) 2) **AC1**.

9.9.11.3 The breakage or excessive rope stretch of the governor rope shall cause the motor to stop by means of an electric safety device in conformity with **14.1.2**.

9.9.12 The overspeed governor is regarded as a safety component and shall be verified according to the requirements in **F.4**.

9.10 Ascending car overspeed protection means

A traction drive lift shall be provided with ascending car overspeed protection means conforming to the following:

9.10.1 The means, comprising speed monitoring and speed reducing elements, shall detect uncontrolled movement of the ascending car at a minimum 115 % of the rated speed, and maximum as defined in **9.9.3**, and shall cause the car to stop, or at least reduce its speed to that for which the counterweight buffer is designed.

9.10.2 The means shall be capable of performing as required in **9.10.1** without assistance from any lift component that, during normal operation, controls the speed or retardation, or stops the car, unless there is built-in redundancy.

A mechanical linkage to the car, whether or not such linkage is used for any other purpose, may be used to assist in this performance.

9.10.3 The means shall not allow a retardation of the empty car in excess of 1 g_n during the stopping phase.

9.10.4 The means shall act:

- a) to the car, or
- b) to the counterweight, or

- c) on the rope system (suspension or compensating), or
- d) on the traction sheave (e.g. on the sheave directly or on the same shaft in the immediate vicinity of the sheave).

9.10.5 The means shall operate an electric safety device in conformity with **14.1.2** if it is engaged.

9.10.6 When the means has been activated its release shall require the intervention of a competent person.

9.10.7 The release of the means shall not require the access to the car or the counterweight.

9.10.8 After its release, the means shall be in a condition to operate.

9.10.9 If the means requires external energy to operate, the absence of energy shall cause the lift to stop and keep it stopped. This does not apply for guided compressed springs.

9.10.10 The speed monitoring element of the lift to cause the ascending car overspeed protection means to actuate shall be, either:

- a) a governor conforming to the requirements of **9.9**, or
- b) a device conforming to **9.9.1, 9.9.2, 9.9.3, 9.9.7, 9.9.8.1, 9.9.9, 9.9.11.2**, and where equivalence to **9.9.4, 9.9.6.1, 9.9.6.2, 9.9.6.5, 9.9.10** and **9.9.11 .3** is assured.

9.10.11 The ascending car overspeed protection means is regarded as a safety component and shall be verified according to the requirements in **F.7**.

A3

9.11 Protection against unintended car movement

9.11.1 Lifts shall be provided with a means to stop unintended car movement away from the landing with the landing door not in the locked position and the car door not in the closed position, as a result of failure in any single component of the lift machine or drive control system upon which the safe movement of the car depends, except failure of the suspension ropes or chains and the traction sheave or drum or sprockets of the machine.

NOTE A failure of the traction sheave includes a loss of traction.

9.11.2 The means shall detect unintended movement of the car, shall cause the car to stop, and keep it stopped.

9.11.3 The means shall be capable of performing as required without assistance from any lift component that, during normal operation, controls the speed or retardation, stops the car or keeps it stopped, unless there is built-in redundancy and correct operation is self-monitored.

NOTE Machine brake according 12.4.2 is considered to have built-in redundancy.

In the case of using the machine brake, self-monitoring could include verification of correct lifting or dropping of the mechanism or verification of braking force. If a failure is detected, next normal start of the lift shall be prevented.

Self-monitoring is subject to type examination.

9.11.4 The stopping element of the means shall act:

- a) on the car, or
- b) on the counterweight, or
- c) on the rope system (suspension or compensating), or
- d) on the traction sheave (e.g. on the sheave directly or on the same shaft in the immediate vicinity of the sheave).

The stopping element of the means, or the means keeping the car stopped may be common with those used for:

- preventing overspeed in down direction,
- preventing ascending car overspeed (9.10).

The stopping elements of the means may be different for the down direction and for the up direction.

9.11.5 The means shall stop the car in a distance:

- not exceeding 1,20 m from the landing where the unintended car movement has been detected, and
- the vertical distance between the landing sill and the lowest part of the car apron shall not exceed 200 mm, and
- the free distance from car sill to landing door lintel, or from landing sill to car door lintel shall not be less than 1,00 m (see Figure 4).

These values shall be obtained with any load in the car, up to 100 % of rated load.

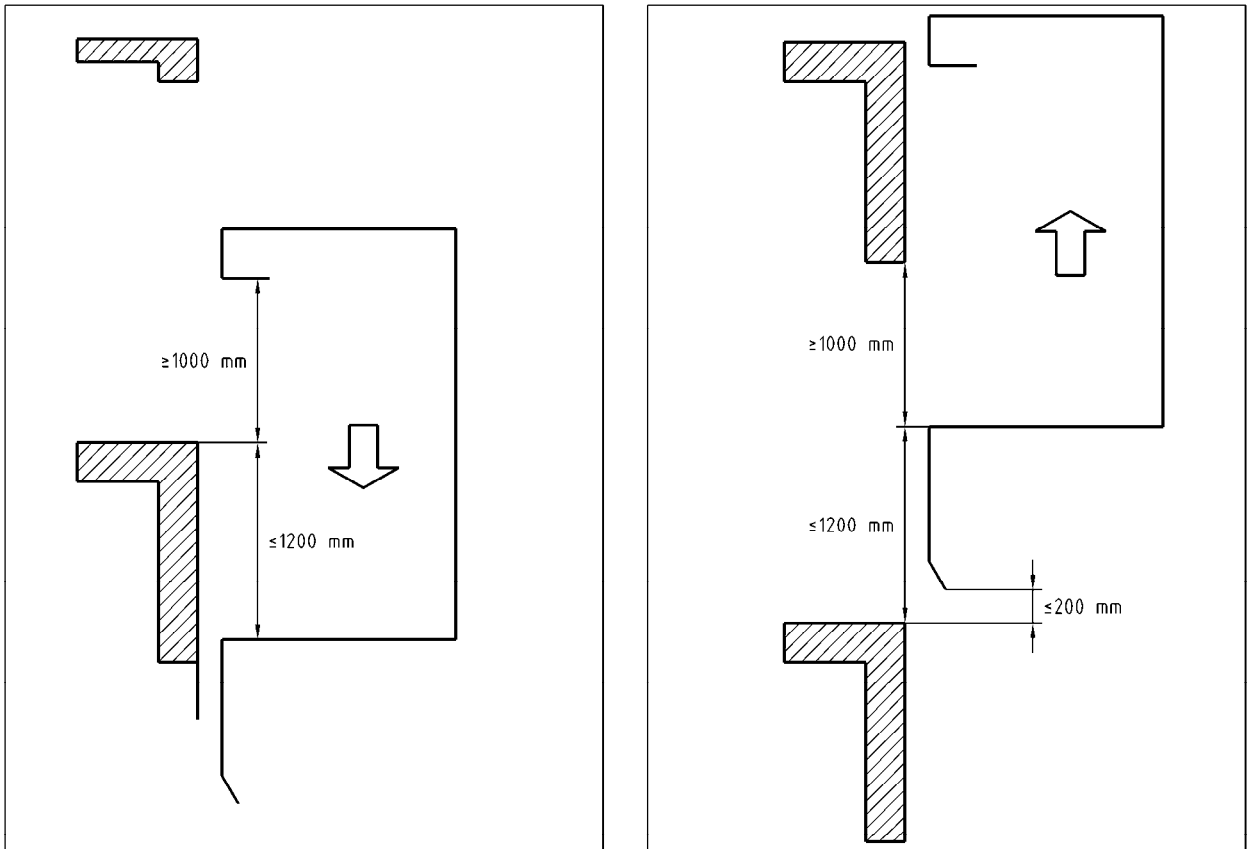


Figure 4 — Unintended car movement

9.11.6 During the stopping phase, the stopping element of the means shall not allow a retardation of the car in excess of:

- $1 g_n$ for unintended movements in up direction,
- the values accepted for safety gears in down direction.

These values shall be obtained with any load in the car, up to 100 % of rated load, moving away from a standstill position at landing level.

9.11.7 The unintended movement of the car shall be detected by at least one switching device at latest when the car leaves the unlocking zone (7.7.1).

This switching device shall:

- either be a safety contact in conformity with 14.1.2.2, or
- be connected in such a way as to satisfy the requirements for safety circuits in 14.1.2.3, or
- satisfy requirements of 14.1.2.6.

9.11.8 The means shall operate an electric safety device in conformity with 14.1.2 if it is engaged.


NOTE This can be common to switching device of 9.11.7.

9.11.9 When the means has been activated or the self-monitoring has indicated a failure of the stopping element of the means, its release or the reset of the lift shall require the intervention of a competent person.

9.11.10 The release of the means shall not require the access to the car or the counterweight.

9.11.11 After its release, the means shall be in a condition to operate.

9.11.12 If the means requires external energy to operate, the absence of energy shall cause the lift to stop and keep it stopped. This does not apply for guided compressed springs.

9.11.13 The unintended car movement with open doors protection means is regarded as a safety component and shall be verified according to the requirements in F.8. 

10 Guide rails, buffers and final limit switches

10.1 General provisions concerning guide rails

10.1.1 The guide rails, their joints and attachments shall be sufficient to withstand the loads and forces imposed on them in order to ensure a safe operation of the lift.

The aspects of safe operation of the lift concerning guide rails are:

- a) car, counterweight or balancing weight -guidance shall be assured;
- b) deflections shall be limited to such an extent, that due to them:
 - 1) unintended unlocking of the doors shall not occur;
 - 2) operation of the safety devices shall not be affected, and
 - 3) collision of moving parts with other parts shall not be possible.

Stresses shall be limited taking into account the distribution of the rated load in the car as given in **G.2**, **G.3** and **G.4** or according to the intended use as negotiated (**0.2.5**).

NOTE **Annex G** describes a method of selecting guide rails.

10.1.2 Permissible stresses and deflections

10.1.2.1 The permissible stresses shall be determined by:

$$\sigma_{perm} = \frac{R_m}{S_t}$$

where:

σ_{perm} = permissible stress in newtons per square millimetre;

R_m = tensile strength in newtons per square millimetre;

S_t = safety factor.

The safety factor has to be taken from **table 3**.

Table 3 — Safety factors for guide rails

Load cases	Elongation (A_5)	Safety factor
Normal use loading	$A_5 \geq 12 \%$	2,25
	$8 \% \leq A_5 \leq 12 \%$	3,75
Safety gear operation	$A_5 \geq 12 \%$	1,8
	$8 \% \leq A_5 \leq 12 \%$	3,0

Materials with elongations less than 8 % are regarded as too brittle and shall not be used.

For guide rails in accordance with ISO 7465, the values of σ_{perm} given in **table 4** can be used.

Table 4 — Permissible stresses σ_{perm}

Values in newtons per square millimetre

Load cases	R_m		
	370	440	520
Normal use loading	165	195	230
Safety gear operation	205	244	290

10.1.2.2 For T-profile guide rails the maximum calculated permissible deflections are:

- a) 5 mm in both directions for car, counterweight or balancing weight guide rails on which safety gears are operating;
- b) 10 mm in both directions for guide rails of counterweight or balancing weight without safety gears.

10.1.3 The fixing of the guide rails to their brackets and to the building shall permit compensation, either automatically or by simple adjustment, of effects due to normal settling of the building or shrinkage of concrete.

A rotation of the attachments by which the guide rails could be released shall be prevented.

10.2 Guiding of the car, counterweight or balancing weight

10.2.1 The car, counterweight or balancing weight shall each be guided by at least two rigid steel guide rails.

10.2.2 The guide rails shall be made from drawn steel, or the rubbing surfaces shall be machined, if:

- a) the rated speed exceeds 0,4 m/s;
- b) progressive safety gears are used regardless of the speed.

10.2.3 Guide rails for counterweights or balancing weights without safety gear may be made of formed metal sheet. They shall be protected against corrosion.

10.3 Car and counterweight buffers

10.3.1 Lifts shall be provided with buffers at the bottom limit of travel of the car and counterweight.

The acting point(s) of the buffer(s) below the projection of the car shall be made obvious by an obstacle (pedestal) of a height so that **5.7.3.3** is fulfilled. For buffers with the centre of the acting area within 0,15 m from the guide rails and similar fixed devices, excluding walls, these devices are regarded as obstacles.

10.3.2 In addition to the requirements of **10.3.1** positive drive lifts shall be provided with buffers on the car top to function at the upper limit of travel.

10.3.3 Energy accumulation type buffers, with linear and non linear characteristics, shall only be used if the rated speed of the lift does not exceed 1 m/s.

10.3.4 Energy accumulation type buffers with buffered return movement shall only be used if the rated speed of the lift does not exceed 1,6 m/s.

10.3.5 Energy dissipation type buffers can be used whatever the rated speed of the lift.

10.3.6 The energy accumulation type buffers with non-linear characteristics and/or with buffered return movement and energy dissipation type buffers are regarded as safety components and shall be verified according to the requirements in **F.5**.

10.4 Stroke of car and counterweight buffers

The buffer strokes required in the following are illustrated in **annex L**.

10.4.1 Energy accumulation type buffers

10.4.1.1 Buffers with linear characteristics

10.4.1.1.1 The total possible stroke of the buffers shall be at least equal to twice the gravity stopping distance corresponding to 115 % of the rated speed ($0,135 v^2$) ⁷⁾ the stroke being expressed in metres.

However, the stroke shall not be less than 65 mm.

10.4.1.1.2 Buffers shall be designed to cover the stroke defined in **10.4.1.1.1** under a static load of between 2,5 times and 4 times the sum of the mass of the car and its rated load (or the mass of the counterweight).

10.4.1.2 Buffers with non-linear characteristics

10.4.1.2.1 Energy accumulation type buffers with non linear characteristics shall fulfil the following requirements:

⁷⁾ $\frac{2 \cdot (1,15 v)^2}{2 \cdot g_n} = 0,1348 v^2$ rounded to $0,135 v^2$

- a) hitting the car buffer with rated load in the car, in case of free fall with a speed of 115 % of the rated speed, the average retardation shall not be more than $1 g_n$;
- b) retardation of more than $2,5 g_n$ shall not be longer than 0,04 s;
- c) the return speed of the car shall not exceed 1 m/s;
- d) there shall be no permanent deformation after actuation.

10.4.1.2.2 The term “fully compressed”, mentioned in **5.7.1.1**, **5.7.1.2**, **5.7.2.2**, **5.7.2.3** and **5.7.3.3** means a compression of 90 % of the installed buffer height.

10.4.2 Energy accumulation type buffers with buffered return movement

The requirements of **10.4.1** apply to this type of buffer.

10.4.3 Energy dissipation type buffers

10.4.3.1 The total possible stroke of the buffers shall be at least equal to the gravity stopping distance corresponding to 115 % of the rated speed ($0,0674 v^2$), the stroke being expressed in metres.

10.4.3.2 When the slowdown of lift at the ends of its travel is monitored according to **12.8**, the speed at which the car (or the counterweight) comes into contact with the buffers may be used instead of the rated speed, when calculating the buffer stroke according to **10.4.3.1**. However, the stroke shall not be less than:

- a) one half of the stroke calculated according to **10.4.3.1** if the rated speed does not exceed 4 m/s.

In any event, the stroke shall not be less than 0,42 m;

- b) one third of the stroke calculated according to **10.4.3.1** if the rated speed exceeds 4,0 m/s;

In any event the stroke shall not be less than 0,54 m.

10.4.3.3 Energy dissipation type buffers shall fulfil the following requirements:

- a) hitting the car buffer with a rated load in the car, in case of free fall with a speed of 115 % of the rated speed, the average retardation shall not be more than $1 g_n$;
- b) retardation of more than $2,5 g_n$ shall not be longer than 0,04 s;
- c) there shall be no permanent deformation after actuation.

10.4.3.4 The normal operation of the lift shall depend on the return of the buffers to their normal extended position after operation. The device for checking this shall be an electric safety device in conformity with **14.1.2**.

10.4.3.5 Buffers, if hydraulic, shall be so constructed that the fluid level can easily be checked.

10.5 Final limit switches

10.5.1 General

Final limit switches shall be provided.

Final limit switches shall be set to function as close as possible to the terminal floors, without risk of accidental operation.

They shall operate before the car (or counterweight if there is one) comes into contact with the buffers. The action of the final limit switches shall be maintained whilst the buffers are compressed.

10.5.2 Actuation of the final limit switches

10.5.2.1 Separate actuating devices shall be used for normal terminal stopping and final limit switches.

10.5.2.2 In the case of positive drive lifts, actuation of the final limit switches shall be effected:

- a) either by a device linked to the movement of the machine, or
- b) by the car and by the balancing weight, if there is one, at the top of the well, or
- c) if there is no balancing weight, by the car at the top and the bottom of the well.

10.5.2.3 In the case of traction drive lifts, actuation of the final limit switches shall be effected:

- a) either directly by the car at the top and bottom of the well, or
- b) indirectly by a device which is linked to the car, e.g. by a rope, belt or chain.

In the case b), breakage of or slack in this linkage shall cause the machine to stop by means of an electric safety device in conformity with **14.1.2**.

10.5.3 Method of operation of final limit switches

10.5.3.1 The final limit switches shall:

- a) for positive drive lifts, open directly by positive mechanical separation of the circuits feeding the motor and brake in accordance with **12.4.2.3.2**.
- b) for traction drive lifts, single or two speed, either:
 - 1) open circuits according to a) above, or
 - 2) open by an electric safety device in conformity with **14.1.2** the circuit directly supplying the coils of the two contactors in accordance with **12.4.2.3.1**, **12.7.1** and **13.2.1.1**;
- c) in the case of variable voltage or continuously variable speed lifts, cause the rapid stopping of the machine, i.e. in the shortest time compatible with the system.

10.5.3.2 After the operation of the final limit switches, the return to service of the lift shall not occur automatically.

11 Clearances between car and wall facing the car entrance, and between car, counterweight or balancing weight

11.1 General provision

The operational clearances specified in the standard shall be maintained not only during the examination and tests before the lift is put into service, but also throughout the life of the lift.

11.2 Clearances between car and wall facing the car entrance

The following requirements are illustrated in  Figures 5 and 6 .

11.2.1 The horizontal distance between the inner surface of the lift well and the sill, door frame of the car or closing edge of car sliding doors shall not exceed 0,15 m.

The distance given above:

- a) may be extended to 0,20 m over a height not exceeding 0,50 m;
- b) may be extended to 0,20 m throughout the travel on goods passenger lifts in which the landing doors are vertically sliding;
- c) is not limited if the car is provided with a mechanically locked door, which can only be opened in the unlocking zone of a landing door.

The operation of the lift shall automatically depend on the locking of the corresponding car door except in the cases covered in 7.7.2.2. This locking shall be proved by an electric safety device in conformity with 14.1.2.

11.2.2 The horizontal distance between the sill of the car and sill of the landing doors shall not exceed 35 mm.

11.2.3 The horizontal distance between the car door and the closed landing doors or the access distance between the doors during the whole of their normal operation shall not exceed 0,12 m.

11.2.4 In the case of the combination of a hinged landing door and a folding car door it shall not be possible to place a ball with a diameter of 0,15 m in any gap between the closed doors.

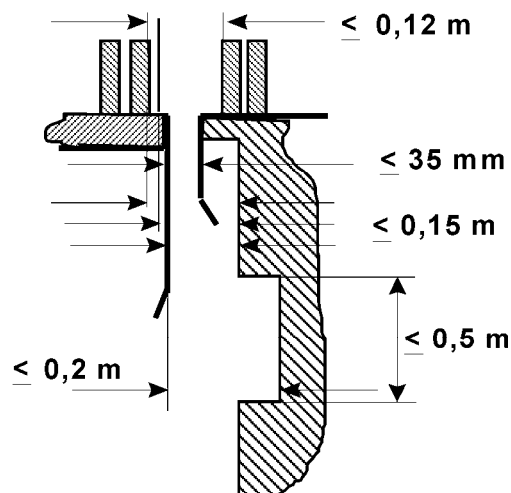


 Figure 5  — Clearances between car and wall facing the car entrance

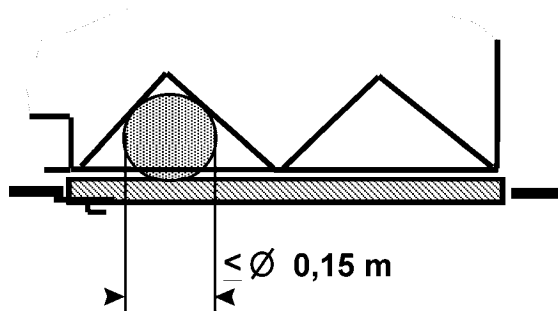


Figure 6 — Hinged landing door and folding car door - Gap

11.3 Clearances between car, counterweight or balancing weight

The car and its associated components shall be at a distance of at least 50 mm from the counterweight or balancing weight (if there is one) and its associated components.

12 Lift machine

12.1 General provision

Each lift shall have at least one machine of its own.

12.2 Drive of the car and the counterweight or balancing weight

12.2.1 The following two methods of drive are permissible:

- a) by traction (use of sheaves and ropes);
- b) by positive drive, i.e.:
 - 1) either use of a drum and ropes, or
 - 2) use of sprockets and chains.

The rated speed shall not exceed 0,63 m/s. Counterweights shall not be used. The use of a balancing weight is permitted.

The calculations of the driving elements shall take into account the possibility of the counterweight or the car resting on its buffers.

12.2.2 Use may be made of belts for coupling the motor or motors to the component on which the electro-mechanical brake (12.4.1.2) operates. In this case a minimum of two belts shall be used.

12.3 Use of overhung pulleys or sprockets

Devices according to 9.7 shall be provided.

12.4 Braking system

12.4.1 General provisions

12.4.1.1 The lift shall be provided with a braking system, which operates automatically:

- a) in the event of loss of the mains power supply;
- b) in the event of the loss of the supply to control circuits.

12.4.1.2 The braking system shall have an electro-mechanical brake (friction type), but may, in addition, have other braking means (e.g. electric).

12.4.2 Electro-mechanical brake

12.4.2.1 This brake on its own shall be capable of stopping the machine when the car is travelling downward at rated speed and with the rated load plus 25 %. In these conditions the retardation of the car shall not exceed that resulting from operation of the safety gear or stopping on the buffer.

All the mechanical components of the brake which take part in the application of the braking action on the drum or disk shall be installed in two sets. If one of the components is not working a sufficient braking effort to slow down the car, travelling downwards at rated speed and with rated load shall continue to be exercised.

Any solenoid plunger is considered to be a mechanical part, any solenoid coil is not.

12.4.2.2 The component on which the brake operates shall be coupled to the traction sheave or drum or sprocket by direct and positive mechanical means.

12.4.2.3 To hold off the brake, in normal operation, shall require a continuous flow of current.

12.4.2.3.1 The interruption of this current shall be effected by at least two independent electrical devices, whether or not integral with those, which cause interruption of the current feeding the lift machine.

If, whilst the lift is stationary, one of the contactors has not opened the main contacts, further movement of the car shall be prevented at the latest at the next change in the direction of motion.

12.4.2.3.2 When the motor of the lift is likely to function as a generator, it shall not be possible for the electric device operating the brake to be fed by the driving motor.

12.4.2.3.3 Braking shall become effective without supplementary delay after opening of the brake release circuit.

NOTE The use of a diode or capacitor connected directly to the terminals of the brake coil is not considered as a means of delay.

12.4.2.4 Any machine fitted with a manual emergency operating device (12.5.1) shall be capable of having the brake released by hand and require a constant effort to keep the brake open.

12.4.2.5 The brake shoe or pad pressure shall be exerted by guided compression springs or weights.

12.4.2.6 Band brakes shall not be used.

12.4.2.7 Brake linings shall be incombustible.

12.5 Emergency operation

12.5.1 \square_{A2} If the manual effort required to move the car in the upward direction with its rated load does not exceed 400 N the machine shall be provided with a manual means of emergency operation allowing the car to be moved to a landing. If the means for moving the car can be driven by the lift moving, then it shall be a smooth, spokeless wheel. \square_{A2}

12.5.1.1 \square_{A2} If the means is removable, it shall be located in an easily accessible place in the machinery space. It shall be suitably marked if there is any risk of confusion as to the machine for which it is intended.

If the means is removable or can be disengaged from the machine, an electric safety device in conformity with **14.1.2** shall be actuated, at the latest when the means is about to be coupled with the machine. \square_{A2}

12.5.1.2 \square_{A2} It shall be possible to check easily whether the car is in an unlocking zone. This check may be made, for example, by means of marks on the suspension or governor ropes. See also 6.6.2 c). \square_{A2}

12.5.2 \square_{A2} If the effort defined in 12.5.1 is greater than 400 N, a means of emergency electrical operation shall be provided in accordance with 14.2.1.4.

This means shall be located in the relevant machinery space:

- machine room (6.3),
- machinery cabinet (6.5.2), or
- on the emergency and tests panel(s) (6.6). \square_{A2}

12.6 Speed

The speed of the lift car, half loaded, in downward motion, in mid-travel, excluding all acceleration and retardation periods, shall not exceed the rated speed by more than 5 %, when the supply is at its rated frequency, and the motor voltage is equal to the rated voltage of the equipment ⁸⁾.

This tolerance is also applicable for the speed in the case of:

- a) levelling (**14.2.1.2 b**));
- b) re-levelling (**14.2.1.2 c**));
- c) inspection operation (**14.2.1.3 d**));
- d) emergency electrical operation (14.2.1.4. e));
- e) docking operation (**14.2.1.5 c**)).

12.7 Stopping the machine and checking its stopped condition

The stopping of the machine by means of an electric safety device, in conformity with **14.1.2**, shall be controlled as detailed below.

8) It is good practice that in the above conditions the speed is not lower than a value 8% below the rated speed.

12.7.1 Motors supplied directly from A.C. or D.C. mains

The supply shall be interrupted by two independent contactors, the contacts of which shall be in series in the supply circuit. If, whilst the lift is stationary, one of the contactors has not opened the main contacts, further movement of the car shall be prevented at the latest at the next change in the direction of motion.

12.7.2 Drive using a “Ward-Leonard” system

12.7.2.1 Excitation of the generator supplied by classical elements

Two independent contactors shall interrupt, either:

- a) the motor generator loop, or
- b) the excitation of the generator, or
- c) one the loop and the other the excitation of the generator.

If, whilst the lift is stationary, one of the contactors has not opened the main contacts, further movement of the car shall be prevented, at the latest at the next change in direction of motion.

In cases b) and c) effective precautions shall be taken to prevent the rotation of the motor in the case of a residual field, if any, in the generator (e.g. suicide circuit).

12.7.2.2 Excitation of the generator supplied and controlled by static elements

One of the following methods shall be used:

- a) the same methods as specified in **12.7.2.1**;
- b) a system consisting of:
 - 1) a contactor interrupting the excitation of the generator or the motor generator loop.

The coil of the contactor shall be released at least before each change in direction of motion. If the contactor does not release, any further movement of the lift shall be prevented, and
 - 2) a control device blocking the flow of energy in the static elements, and
 - 3) a monitoring device to verify the blocking of the flow of energy each time the lift is stationary.

If, during a normal stopping period, the blocking by the static elements is not effective, the monitoring device shall cause the contactor to release and any further movement of the lift shall be prevented.

Effective precautions shall be taken to prevent the rotation of the motor in the case of a residual field, if any, in the generator (e.g. suicide circuit).

12.7.3 A.C. or D.C. motor supplied and controlled by static elements

One of the following methods shall be used:

- a) two independent contactors interrupting the current to the motor.

If, while the lift is stationary, one of the contactors has not opened the main contacts, any further movement shall be prevented, at the latest at the next change in direction of motion;

- b) a system consisting of:

- 1) a contactor interrupting the current at all poles.

The coil of the contactor shall be released at least before each change in direction. If the contactor does not release, any further movement of the lift shall be prevented, and

- 2) a control device blocking the flow of energy in the static elements, and
- 3) a monitoring device to verify the blocking of the flow of energy each time the lift is stationary.

If, during a normal stopping period, the blocking of the flow of energy by the static elements is not effective, the monitoring device shall cause the contactor to release and any further movement of the lift shall be prevented.

12.7.4 Control devices according to **12.7.2.2 b) 2** or **12.7.3 b) 2)**, and monitoring devices according to **12.7.2.2 b) 3)** or **12.7.3 b) 3)** need not to be safety circuits according to **14.1.2.3**.

These devices shall only be used provided the requirements of **14.1.1** are met to achieve comparability to **12.7.3.a)**.

12.8 Monitoring the normal slowdown of the machine in case of reduced buffer stroke

12.8.1 In the case of **10.4.3.2**, devices shall check that the slowdown is effective before arrival at terminal landings.

12.8.2 If the slowdown is not effective these devices shall cause the car speed to be reduced in such a way that, if the car or the counterweight comes into contact with the buffers, the striking speed shall not exceed that for which the buffers were designed.

12.8.3 If the device checking the slowdown is not independent of the direction of travel, a device shall check that the movement of the car is in the intended direction.

12.8.4 If these devices, or some of them, are placed in the machine room:

- a) they shall be operated by a device directly coupled to the car;
- b) the information relating to the car position shall not depend on devices driven by traction, friction, or by synchronous motors;
- c) if a connection by tape, chain or rope is used to transmit the position of the car to the machine room, breakage of or slack in such a connecting device shall cause the machine to stop through the action of an electric safety device in conformity with **14.1.2**.

12.8.5 The control and functioning of these devices shall be so designed that together with the normal speed regulation system there results a slowdown control system complying with the requirements of **14.1.2**.

12.9 Safety devices against slack rope or slack chain

Positive drive lifts shall have a slack rope/chain device actuating an electric safety device in conformity with **14.1.2**. This device may be the same as the one required in **9.5.3**.

12.10 Motor run time limiter

12.10.1 Traction drive lifts shall have a motor run time limiter causing the de-energizing of the machine, and keep it de-energized, if:

- a) the machine does not rotate when a start is initiated;
- b) the car/counterweight is stopped in downwards movement by an obstacle which causes the ropes to slip on the traction sheave.

12.10.2 The motor run time limiter shall function in a time which does not exceed the smaller of the following two values:

- a) 45 s;
- b) time for travelling the full travel, plus 10 s, with a minimum of 20 s if the full travel time is less than 10 s.

12.10.3 The return to normal operation shall only be possible by manual resetting. On restoration of the power after a supply disconnection, maintaining the machine in the stopped position is not necessary.

12.10.4 The motor run time limiter shall not affect the movement of the car under either the inspection operation or the emergency electrical operation.

12.11 Protection of machinery

Effective protection shall be provided for accessible rotating parts, which may be dangerous, in particular:

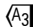
- a) keys and screws in the shafts;
- b) tapes, chains, belts;
- c) gears, sprockets;
- d) projecting motor shafts;
- e) fly-ball type overspeed governors.

Exception is made for traction sheaves with protections according to 9.7, handwinding wheels, brake drums and any similar smooth, round parts. Such parts shall be painted yellow, at least in part.

 A3

12.12 Normal stopping of the car at landings and levelling accuracy

— The stopping accuracy of the car shall be ± 10 mm;

— A levelling accuracy of ± 20 mm shall be maintained. If, during e.g. loading and unloading phases, the value of 20 mm is exceeded, it shall be corrected.  A3

13 Electric installations and appliances

13.1 General provisions

13.1.1 Limits of application

13.1.1.1 The requirements of this standard relating to the installation and to the constituent components of the electrical equipment apply:

- a) to the main switch of the power circuit and dependent circuits;
- b) to the switch for the car lighting circuit and dependent circuits.

The lift shall be considered as a whole, in the same way as a machine with its built in electrical equipment.

NOTE The national requirements relating to electricity supply circuits apply as far as the input terminals of the switches. They apply to the whole lighting and socket outlet circuits of the machine room, the pulley room and the lift well and pit.

13.1.1.2 The requirements of this standard for circuits dependent on the switches referred to in **13.1.1.1** are based, as far as possible, taking into account the specific needs of lifts, on existing standards:

- a) on the international level: IEC;
- b) on the European level: CENELEC.

Whenever one of these standards is used, its references are given, together with the limits within which it is used.

When no precise information is given, the electrical equipment used shall conform to the accepted Codes of Practice relating to safety.

13.1.1.3 The electromagnetic compatibility shall comply with the requirements of EN 12015 and EN 12016.

13.1.2 ^{A2} In the machinery and pulley spaces protection of the electrical equipment against direct contact shall be provided by means of casings providing a degree of protection of at least IP 2X. ^{A2}

13.1.3 Insulation resistance of the electrical installation (CENELEC HD 384.6.61 S1)

The insulation resistance shall be measured between each live conductor and earth.

Minimum values of insulation resistance shall be taken from **table 5**.

Table 5

Nominal circuit voltage V	Test voltage (d.c.) V	Insulation resistance MΩ
SELV	250	≥ 0,25
≤ 500	500	≥ 0,5
> 500	1000	≥ 1,0

When the circuit includes electronic devices, phase and neutral conductors shall be connected together during measurement.

13.1.4 The mean value in direct current or the r.m.s. value in alternating current of the voltage between conductors or between conductors and earth, shall not exceed 250 V for control and safety circuits.

13.1.5 The neutral conductor and the protection conductor shall always be separate.

13.2 Contactors, relay-contactors, components of safety circuits

13.2.1 Contactors and relay-contactors

13.2.1.1 The main contactors, i.e. those necessary to stop the machine as per **12.7**, shall belong to the following categories as defined in EN 60947-4-1:

- a) AC-3 for contactors for A.C. motors;
- b) DC-3 for contactors for D.C. power.

These contactors shall, in addition allow 10 % of starting operations to be made as inching.

13.2.1.2 If, because of the power they carry, relay-contactors are used to operate the main contactors, those relay-contactors shall belong to the following categories as defined in EN 60947-5-1:

- a) AC-15 for controlling A.C. electromagnets;
- b) DC-13 for controlling D.C. electromagnets.

13.2.1.3 Both for the main contactors referred to in **13.2.1.1** and for the relay-contactors referred to in **13.2.1.2**, it may be assumed in the measures taken to comply with **14.1.1.1** that:

- a) if one of the break contacts (normally closed) is closed, all the make contacts are open;
- b) if one of the make contacts (normally open) is closed, all the break contacts are open.

13.2.2 Components of safety circuits

13.2.2.1 When relay-contactors as per 13.2.1.2 are used, as relays in a safety circuit, the assumptions of **13.2.1.3** shall also apply.

13.2.2.2 If relays are used which are such that the break and make contacts are never closed simultaneously for any position of the armature, the possibility of partial attraction of the armature (**14.1.1.1 f**) can be disregarded.

13.2.2.3 Devices (if any) connected after electrical safety devices shall meet the requirements of **14.1.2.2.3** as regards the creepage distances and the air gaps (not the separation distances).

This requirement does not apply to the devices mentioned in **13.2.1.1**, **13.2.1.2** and **13.2.2.1** and which themselves fulfil the requirements of EN 60947-4-1 and EN 60947-5-1.

For printed circuit boards requirements as mentioned in **table H.1 (3.6)** are applicable.

13.3 Protection of motors and other electrical equipment

13.3.1 Motors directly connected to the mains shall be protected against short-circuiting.

13.3.2 (except as Motors directly connected to the mains shall be protected against overloads by means of manual reset provided for in **13.3.3**) automatic circuit-breakers which shall cut off the supply to the motor in all live conductors.


13.3.3 When the detection of overloads of the lift motor operates on the basis of increase of the temperature of the motor windings the interruption of the motor supply shall only occur in accordance with **13.3.6**.

13.3.4 The provisions of **13.3.2** and **13.3.3** apply to each winding if the motor has windings supplied by different circuits.

13.3.5 When the lift motors are supplied from D.C. generators driven by motors, the lift motors shall also be protected against overloads.

13.3.6 If the design temperature of an electrical equipment provided with a temperature monitoring device is exceeded and the lift should not continue in operation, then the car shall stop at a landing such as the passengers can leave the car. An automatic return to normal operation of the lift shall only occur after sufficient cooling down.

13.4 Main switches


13.4.1  For each lift, a main switch capable of breaking the supply to the lift on all the live conductors shall be provided. This switch shall be capable of interrupting the highest current involved in normal conditions of use of the lift.

13.4.1.1 This switch shall not cut the circuits feeding:

- a) car lighting or ventilation, if any;
- b) socket outlet on the car roof;
- c) lighting of machinery and pulley spaces;
- d) socket outlet in the machinery and pulley spaces and in the pit;
- e) lighting of the lift well;
- f) alarm device.

13.4.1.2 This switch shall be located:

- a) in the machine room where it exists;
- b) where no machine room exists, in the control cabinet, except if this cabinet is mounted in the well, or
- c) at the emergency and tests panel(s) (6.6) when the control cabinet is mounted in the well. If the emergency panel is separate from the test panel, the switch shall be at the emergency panel.

If the main switch is not easily accessible from the control cabinet, then the cabinet shall be provided with an isolating switch as required in 13.4.2. 

13.4.2 The main switches as defined in **13.4.1** shall have stable open and closed positions, and shall be capable of being locked-off in the open position, with the use of a padlock or equivalent, to ensure no inadvertent operation.

The control mechanism for the main switch shall be easily and rapidly accessible from the entrance(s) to the machine room. If the machine room is common to several lifts, the control mechanism of the main switches shall allow the lift concerned to be identified easily.

If the machine room has several points of access, or if the same lift has several machine rooms each with its own point(s) of access, a circuit breaker contactor may be used, release of which shall be controlled by an electric safety device, in conformity with 14.1.2, inserted in the supply circuit to the coil of the circuit breaker contactor.

The re-engagement of the circuit breaker contactor shall not be carried out or made possible except by means of the device, which caused its release. The circuit-breaker contactor shall be used in conjunction with a manually controlled isolating switch.

13.4.3 In the case of a group of lifts, if, after the opening of the main switch for one lift, parts of the operating circuits remain live, these circuits shall be capable of being separately isolated in the machine room, if necessary by breaking the supply to all the lifts in the group.

13.4.4 Any capacitors to correct the power factor shall be connected before the main switch of the power circuit.

If there is a risk of over-voltage, when for example the motors are connected by very long cables, the switch of the power circuit shall also interrupt the connection to the capacitors.

13.5 Electric wiring

13.5.1 In the machine and pulley rooms and lift wells, the conductors and cables (with the exception of travelling cables) shall be selected from those standardized by CENELEC and of a quality at least equivalent to that defined by HD 21.3 S3 and HD 22.4 S3 taking into account the information given in **13.1.1.2**.

13.5.1.1 Conductors such as those in conformity with CENELEC HD 21.3 S3, parts 2 (H07V-U and H07V-R), 3 (H07V-K), 4 (H05V-U) and 5 (H05V-K) shall only be used provided they are installed in conduits (or trunking) made either of metal or plastics or the conductors are protected in an equivalent manner.

NOTE These provisions replace those in the guide to use appearing in annex 1 of CENELEC HD 21.1 S3.

13.5.1.2 Rigid cables such as those in conformity with 2 of CENELEC HD 21.4 S2 shall only be used in visible mountings fixed to the walls of the well (or of the machine room) or installed in ducting, trunking or similar fittings.

13.5.1.3 Ordinary flexible cables such as those in conformity with 3 (H05RR-F) of CENELEC HD 22.4 S3 and 5 (H05VV-F) of CENELEC HD 21.5 S3, shall only be used in ducting, trunking or fittings ensuring equivalent protection.

Flexible cables with a thick sheath such as those in conformity with 5 (H07RN-F) of CENELEC HD 22.4 S3 may be used like rigid cables in the conditions defined in 13.5.1.2, and for connection to a movable appliance (except as travelling cables for connection to the car) or if they are subject to vibrations.

Travelling cables in conformity with EN 50214 and CENELEC HD 360 S2 shall be accepted as cables for connection to the car, within the limits laid down by these documents. In all cases, the travelling cables selected shall be of at least equivalent quality.

13.5.1.4 The requirements of **13.5.1.1**, **13.5.1.2** and **13.5.1.3** need not apply:

- a) to conductors or cables not connected to electric safety devices on landing doors, provided that:
 - 1) they are not subject to a rated output of more than 100 VA;
 - 2) the voltage, between poles (or phases) or between a pole (or one of the phases) and earth, to which they are normally subject does not exceed 50 V;
- a) to the wiring of operating or distribution devices in cabinets or on panels:
 - 1) either between different pieces of electric equipment, or
 - 2) between these pieces of equipment and the connection terminals.

13.5.2 Cross-sectional area of conductors

In order to provide mechanical strength the cross-sectional area of conductors to electric safety devices of doors shall not be less than 0,75 mm².

13.5.3 Method of installation

13.5.3.1 The electric installation shall be provided with the indications necessary to make it easy to understand.

13.5.3.2 Connections, connection terminals and connectors, except those defined in **13.1.2**, shall be located in cabinets, boxes or on panels provided for this purpose.

13.5.3.3 If, after the opening of the main switch or switches of a lift, some connection terminals remain live, they shall be clearly separated from terminals, which are not live, and if the voltage exceeds 50 V, they shall be suitably marked.

13.5.3.4 Connection terminals whose accidental interconnection could lead to a dangerous malfunction of the lift shall be clearly separated unless their method of construction obviates this risk.

13.5.3.5 In order to ensure continuity of mechanical protection, the protective sheathing of conductors and cables shall fully enter the casings of switches and appliances, or shall terminate in a suitably constructed gland.

NOTE Enclosed frames of landing and car doors are regarded as appliance casings.

However, if there is a risk of mechanical damage due to movement of parts or sharp edges of the frame itself, the conductors connected to the electric safety device shall be protected mechanically.

13.5.3.6 If the same ducting or cable contain conductors whose circuits have different voltages, all the conductors or cables shall have the insulation specified for the highest voltage.

13.5.4 Connectors

Connectors and devices of the plug-in type placed in safety circuits shall be so designed and arranged that, if erroneous interconnection could lead to dangerous malfunction of the lift, or their withdrawal does not require the use of a tool, it is impossible to re-insert the plug incorrectly.

13.6 Lighting and socket outlets

13.6.1 ^{A2} The electric lighting supplies to the car, the well and the machinery and pulley spaces, and emergency and test panel(s) (6.6), shall be independent of the supply to the machine, either through another circuit or through connection to the machine supply circuit on the supply side of the main switch or the main switches laid down in 13.4. ^{A2}

13.6.2 ^{A2} The supply to socket outlets required on the car roof, in the machinery and pulley spaces and in the pit, shall be taken from the circuits referred to in 13.6.1.

These socket outlets shall be:

- a) either of type 2 P + PE, 250 V, supplied directly, or
- b) supplied at a safety extra-low voltage (SELV) in accordance with CENELEC HD 384.4.41 S2:1996, subclause 411.

The use of the above socket outlets does not imply that the supply cable has a cross-sectional area corresponding to the rated current of the socket outlet. The cross-sectional area of the conductors may be smaller, provided that the conductors are correctly protected against excess currents. ^{A2}

13.6.3 Control of the supply for lighting and socket outlets

13.6.3.1 A switch shall control the supply to the circuit for lighting and socket outlets of the lift car. If the machine room contains several lift machines it is necessary to have one switch per car. This switch shall be located close to the corresponding main power switch.

13.6.3.2 ^{A2} In the machinery spaces a switch or a similar device shall be located near to its access(es) controlling the supply for lighting. See also 6.3.7, 6.4.9 and 6.5.5.

Well lighting switches (or equivalent) shall be located both in the pit and close to the main switch so that the well light can be operated from either location. ^{A2}

13.6.3.3 Each circuit controlled by the switches laid down in 13.6.3.1 and 13.6.3.2 shall have its own short circuit protection.

14 Protection against electric faults; controls; priorities

14.1 Failure analysis and electric safety devices

14.1.1 Failure analysis

Any single fault listed in 14.1.1.1 in the electric equipment of a lift, if it cannot be excluded under conditions described in 14.1.1.2 and/or annex H shall not, on its own, be the cause of a dangerous malfunction of the lift.

For safety circuits, see 14.1.2.3.

14.1.1.1 Faults envisaged:

- a) absence of voltage;
- b) voltage drop;
- c) loss of continuity of a conductor;

- d) insulation fault in relation to the metalwork or the earth;
- e) short circuit or open circuit, change of value or function in an electrical component such as for instance resistor, capacitor, transistor, lamp, etc.;
- f) non-attraction or incomplete attraction of the moving armature of a contactor or relay;
- g) non-separation of the moving armature of a contactor or relay;
- h) non-opening of a contact;
- i) non-closing of a contact;
- j) phase reversal.

14.1.1.2 The non-opening of a contact need not be considered in the case of safety contacts conforming to the requirements of **14.1.2.2**.

14.1.1.3 The earthing to the metalwork or the earth of a circuit in which there is an electric safety device shall:

- a) either cause the immediate stopping of the machine, or
- b) prevent restarting of the machine after the first normal stop.



Return to service shall only be possible by manual resetting

14.1.2 Electric safety devices

14.1.2.1 General provisions

14.1.2.1.1 During operation of one of the electric safety devices required in several clauses, movement of the machine shall be prevented or it shall be caused to stop immediately as indicated in **14.1.2.4**. A list of such devices is given in **annex A**.

The electric safety devices shall consist of:

- a) either one or more safety contacts satisfying **14.1.2.2** directly cutting the supply to the contactors referred to in **12.7** or their relay-contactors;
- b) or safety circuits satisfying **14.1.2.3**, consisting of one or a combination of the following:
 - 1) either one or more safety contacts satisfying **14.1.2.2** not directly cutting the supply to the contactors referred to in **12.7** or their relay-contactors;
 - 2) contacts not satisfying the requirements of **14.1.2.2**;
 - 3) components in accordance with **annex H**.
 - 4)  programmable electronic systems in safety related applications in accordance with 14.1.2.6. 

14.1.2.1.2 (Kept free).

14.1.2.1.3 Apart from exceptions permitted in this standard (see **14.2.1.2**, **14.2.1.4** and **14.2.1.5**), no electric equipment shall be connected in parallel with an electric safety device.

Connections to different points of the electric safety chain are only permitted for gathering information. The devices used for that purpose shall fulfil the requirements for safety circuits according to **14.1.2.3**.

14.1.2.1.4 The effects of internal or external induction or capacity shall not cause failure of electric safety devices.

14.1.2.1.5 An output signal emanating from an electric safety device shall not be altered by an extraneous signal emanating from another electric device placed further down the same circuit, which would cause a dangerous condition to result.

14.1.2.1.6 In safety circuits comprising two or more parallel channels, all information other than that required for parity checks shall be taken from one channel only.

14.1.2.1.7 Circuits which record or delay signals shall not, even in event of fault, prevent or appreciably delay the stopping of the machine through the functioning of an electric safety device, i.e. the stopping shall occur in the shortest time compatible with the system.

14.1.2.1.8 The construction and arrangement of the internal power supply units shall be such as to prevent the appearance of false signals at outputs of electric safety devices due to the effects of switching.

14.1.2.2 Safety contacts

14.1.2.2.1 The operation of a safety contact shall be by positive separation of the circuit-breaking devices. This separation shall occur even if the contacts have welded together.

The design of a safety contact shall be such as to minimize the risk of a short-circuit resulting from component failure.

NOTE Positive opening is achieved when all the contact-breaking elements are brought to their open position and when for a significant part of the travel there are no resilient members (e.g. springs) between the moving contacts and the part of the actuator to which the actuating force is applied.

14.1.2.2.2 The safety contacts shall be provided for a rated insulation voltage of 250 V if the enclosure provides a degree of protection of at least IP 4X, or 500 V if the degree of protection of the enclosure is less than IP 4X.

The safety contacts shall belong to the following categories as defined in EN 60947-5-1:

- a) AC-15 for safety contacts in A.C. circuits;
- b) DC-13 for safety contacts in D.C. circuits.

14.1.2.2.3 If the degree of protection is equal or less than IP4X, the clearances shall be at least 3 mm, the creepage distances at least 4 mm and the distances for breaking contacts at least 4 mm after separation. If the protection is better than IP4X the creepage distance can be reduced to 3 mm.

14.1.2.2.4 In the case of multiple breaks, the distance after separation between the contacts shall be at least 2 mm.

14.1.2.2.5 Abrasion of conductive material shall not lead to short circuiting of contacts.

14.1.2.3 Safety circuits

14.1.2.3.1 Safety circuits shall comply with the requirements of **14.1.1** relative to the appearance of a fault.

14.1.2.3.2 Furthermore, as illustrated by  **Figure 7**  the following requirements shall apply:

14.1.2.3.2.1 If one fault combined with a second fault can lead to a dangerous situation, the lift shall be stopped at the latest at the next operating sequence in which the first faulty element should participate.

All further operation of the lift shall be impossible as long as this fault persists.

The possibility of the second fault occurring after the first, and before the lift has been stopped by the sequence mentioned above, is not considered.

14.1.2.3.2.2 If two faults which by themselves do not lead to a dangerous situation, when combined with a third fault can lead to a dangerous situation, the lift shall be stopped at the latest at the next operating sequence in which one of the faulty elements should participate.

The possibility of the third fault leading to a dangerous situation before the lift has been stopped by the sequence mentioned above, is not considered.

14.1.2.3.2.3 If a combination of more than three faults is possible, then the safety circuit shall be designed with multiple channels and a monitoring circuit checking the equal status of the channels.

If a different status is detected the lift shall be stopped.

In case of two channels the function of the monitoring circuit shall be checked prior to a re-start of the lift at the latest, and in case of failure, re-starting shall not be possible.

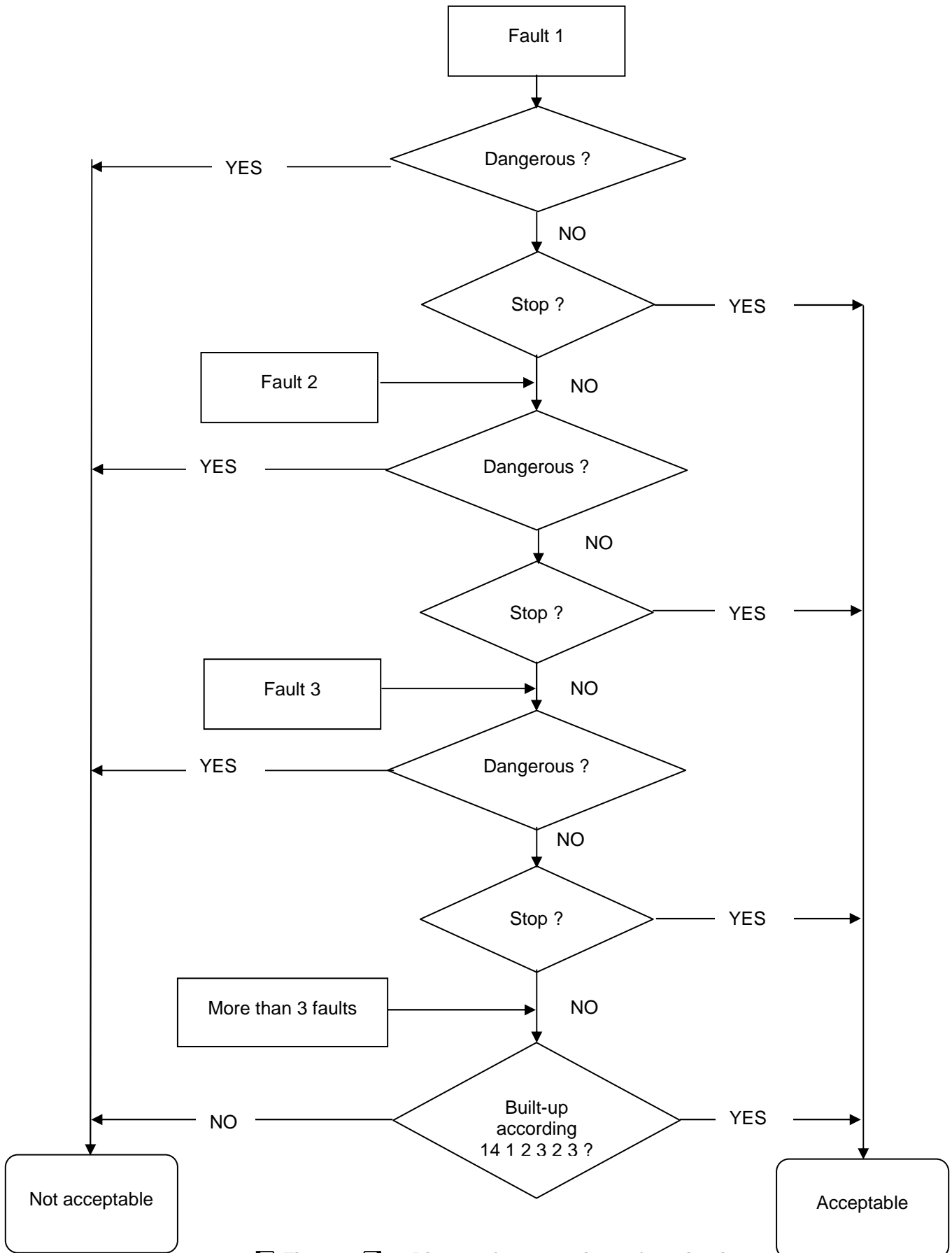


Figure 7 — Diagram for assessing safety circuits

14.1.2.3.2.4 On restoration of the power supply after it has been disconnected, maintenance of the lift in the stopped position is not necessary, provided that during the next sequence stopping is reimposed in the cases covered by **14.1.2.3.2.1** up to **14.1.2.3.2.3**.

14.1.2.3.2.5 In redundancy-type circuits measures shall be taken to limit as far as possible the risk of defects occurring simultaneously in more than one circuit arising from a single cause.

14.1.2.3.3 Safety circuits containing electronic components are regarded as safety components and shall be verified according to the requirements in **F.6**.

14.1.2.4 Operation of electric safety devices

When operating to ensure safety, an electric safety device shall prevent the setting in motion of the machine or initiate immediately its stopping. The electric supply to the brake shall likewise be broken.

The electric safety devices shall act directly on the equipment controlling the supply to the machine in accordance with the requirements of **12.7**.

If, because of the power to be transmitted, relay contactors are used to control the machine, these shall be considered as equipment directly controlling the supply to the machine for starting and stopping.

14.1.2.5 Actuation of electric safety devices

The components actuating the electric safety devices shall be built so that they are able to function properly under the mechanical stresses resulting from continuous normal operation.

If the devices for actuating electric safety devices are through the nature of their installation accessible to persons, they shall be so built that these electric safety devices cannot be rendered inoperative by simple means.

NOTE A magnet or a bridge piece is not considered a simple means.

In the case of redundancy-type safety circuits, it shall be ensured by mechanical or geometric arrangements of the transmitter elements that a mechanical fault shall not cause loss of redundancy.

For transmitter elements of safety circuits, the requirements of F.6.3.1.1 apply.



14.1.2.6 Programmable electronic systems in safety related applications (PESSRAL)

Tables A.1 and A.2 give the safety integrity level for each electric safety device.

Programmable electronic systems designed in accordance with 14.1.2.6 cover the requirements of 14.1.2.3.2.

The minimum requirements of the safety functions common to all SILs are listed in Tables 6, 7 and 8. In addition specific measures required for SILs 1, 2 and 3 are listed respectively in Tables 9, 10 and 11.

NOTE The EN 61508-7:2001 clauses listed in Tables 6 to 11 refer to the relevant requirements in EN 61508-2:2001 and EN 61508-3:2001.

To avoid unsafe modification, measures to prevent unauthorised access to the program code and safety related data of PESSRAL shall be provided, e.g. using EPROM, access code, etc.

If a PESSRAL and a non safety related system share the same hardware, the requirements for PESSRAL shall be met.

If a PESSRAL and a non safety related system share the same PCB, the requirements of 13.2.2.3 shall apply for the separation of the two systems.

Table 6 - Common measures to avoid and detect failures - Hardware design

No	Object	Measure	EN 61508-7:2001 reference
1	Processing unit	Use of watch dog.	A.9
2	Component selection	Use of components only within their specifications.	
3	I/O units and interfaces incl. communication links	Defined safe state in the event of power failure or reset.	
4	Power supply	Defined safe shut-off state in case of over-voltage or under-voltage.	A.8.2
5	Variable memory ranges	Use of only solid state memories.	
6	Variable memory ranges	Read/write test of variable data memory during boot procedure.	
7	Variable memory ranges	Remote access only to informative data (e.g. statistics).	
8	Invariant memory ranges	No possibility to change the program code, either automatically by the system or remote intervention.	
9	Invariant memory ranges	Test of program code memory and fixed data memory during boot procedure with a method at least equivalent to sum check.	A.4.2

Table 7 - Common measures to avoid and detect failures - Software design

No	Object	Measure	EN 61508-7:2001 reference
1	Structure	Program structure (i.e. modularity, data handling, interface definition) according to the state of the art (see EN 61508-3).	B.3.4/C.2.1 C.2.9/C.2.7
2	Boot procedure	During boot procedures a safe state of the lift shall be maintained.	
3	Interrupts	Limited use of interrupts: use of nested interrupts only if all possible sequences of interrupts are predictable.	C.2.6.5
4	Interrupts	No triggering of watchdog by interrupt procedure except in combination with other program sequence conditions.	A.9.4
5	Power down	No power down procedures, such as saving of data, for safety related functions.	
6	Memory management	Stack manager in the hardware and/or software with appropriate reaction procedure.	C.2.6.4/ C.5.4
7	Program	Iteration loops shorter than system reaction time, e.g. by limiting number of loops or checking execution time.	
8	Program	Array pointer offset checks, if not included in the used programming language.	C.2.6.6
9	Program	Defined handling of exceptions (e.g. divisions by zero, overflow, variable range checking etc.) which forces the system into a defined safe state.	
10	Program	No recursive programming, except in well tried standard libraries, in approved operating systems, or in high-level language compilers. For these exceptions separate stacks for separate tasks shall be provided and controlled by a memory management unit.	C.2.6.7
11	Program	Documentation of programming library interfaces and operating systems at least as complete as the user program itself.	
12	Program	Plausibility checks on data relevant to safety functions, e.g. input patterns, input ranges, internal data.	C.2.5/C.3.1
13	Program	If any operational mode can be invoked for testing or validation purposes normal operation of the lift shall not be possible until this mode has been terminated.	EN 61508-1:2001, 7.7.2.1

Table 7 (continued)

No	Object	Measure	EN 61508-7:2001 reference
14	Communication system (external and internal)	Reach a safe state with due consideration to the system reaction time in a bus communication system with safety functions in case of loss of communication or a fault in a bus participant.	A.7/A.9
15	Bus system	No reconfiguration of the CPU-bus system, except during the boot procedure. NOTE: Periodical refresh of the CPU-bus system is not considered as being reconfiguration.	C.3.13
16	I/O handling	No reconfiguration of I/O lines, except during the boot procedures. NOTE: Periodical refresh of the I/O configuration registers is not considered as being reconfiguration.	C.3.13

Table 8 - Common measures for the design and implementation process

No	Measure	EN 61508-7:2001 reference
1	Assessment of the functional, environmental and interface aspects of the application.	A.14/B.1
2	Requirement specification including the safety requirements.	B.2.1
3	Reviews of all specifications.	B.2.6
4	Design documentation as required in F.6.1 and in addition: - function description including system architecture and hardware/software interaction; - software documentation including function and program flow description.	C.5.9
5	Design review reports.	B.3.7/B.3.8, C.5.16
6	Check of reliability using a method such as failure mode and effect analysis (FMEA).	B.6.6
7	Manufacturer's test specification, manufacturer's test reports and field test reports.	B.6.1
8	Instruction documents including limits for intended use.	B.4.1
9	Repeat and update of above mentioned measures if the product is modified.	C.5.23
10	Implementation of version control of hardware and software and its compatibility.	C.5.24

Table 9 - Specific measures according to SIL 1

Components and functions	Requirements	Measures	see No. in Annex P	EN 61508-7:2001 reference
Structure	The structure shall be such that any single random failure is detected and the system shall go into a safe state.	One channel structure with self-test, or two channels or more with comparison.	M 1.1 M 1.3	A.3.1 A.2.5
Processing units	Failures in processing units, which can lead to incorrect results, shall be detected. If such a failure can lead to a dangerous situation the system shall go into a safe state.	Failure correcting hardware, or self-test by software, or comparator for two-channel structure, or reciprocal comparison by software for 2-channel structure.	M 2.1 M 2.2 M 2.4 M 2.5	A.3.4 A.3.1 A.1.3 A.3.5
Invariant memory ranges	Incorrect information modification, i.e. all odd bit or 2-bit failures and some 3-bit and multi-bit failures shall be detected at the latest before the next travel of the lift.	The following measures refer only to a one-channel structure: One-bit redundancy (parity bit), or block safety with one-word redundancy.	M 3.5 M 3.1	A.5.5 A.4.3
Variable memory ranges	Global failures during addressing, writing, storing and reading as well as all odd bit and 2-bit failures and some 3-bit failures and multi-bit failures shall be detected at the latest before the next travel of the lift.	The following measures refer only to a one-channel structure: Word-saving with multi-bit redundancy, or check via test pattern against static or dynamic faults.	M 3.2 M 4.1	A.5.6 A.5.2
I/O units and interfaces incl. communication links	Static failures and cross talk on I/O lines as well as random and systematic failures in the data flow, shall be detected at the latest before the next travel of the lift.	Code safety, or test pattern.	M 5.4 M 5.5	A.6.2 A.6.1
Clock	Failures in clock generation for processing units like frequency modification or break down shall be detected at the latest before the next travel of the lift.	Watchdog with separate time base, or reciprocal monitoring.	M 6.1 M 6.2	A.9.4
Program sequence	Wrong program sequence and inappropriate execution time of the safety related functions shall be detected at the latest before the next travel of the lift.	Combination of timing and logical monitoring of program sequence.	M 7.1	A.9.4

NOTE As a consequence of the detection of a failure, a safe state of the lift shall be maintained.

Table 10 - Specific measures according to SIL 2

Components and functions	Requirements	Measures	see No. in Annex P	EN 61508-7:2001 reference
Structure	The structure shall be such that any single random failure is detected with due consideration to the system reaction time and that the system goes into a safe state.	One channel with self-test and monitoring, or two channels or more with comparison.	M 1.2 M 1.3	A.3.3 A.2.5
Processing units	Failures in processing units, which can lead to incorrect results, shall be detected with due consideration to the system reaction time. If such a failure can lead to a dangerous situation the system shall go into a safe state.	Failure correcting hardware, and software self-test supported by hardware for one-channel structure, or comparator for 2-channel structure, or reciprocal comparison by software for 2-channel structure.	M 2.1 M 2.3 M 2.4 M 2.5	A.3.4 A.3.3 A.1.3 A.3.5
Invariant memory ranges	Incorrect information modification, i.e. all odd bit or 2-bit failures and some 3-bit and multi-bit failures shall be detected with due consideration to the system reaction time.	The following measures refer only to a one-channel structure: Block safety with one-word redundancy, or word saving with multi-bit redundancy.	M 3.1 M 3.2	A.4.3 A.5.6
Variable memory ranges	Global failures during addressing, writing, storing and reading as well as all odd bit and 2-bit failures and some 3-bit failures and multi-bit failures shall be detected with due consideration to the system reaction time.	The following measures refer only to a one-channel structure: Word-saving with multi-bit redundancy, or check via test pattern against static or dynamic faults.	M 3.2 M 4.1	A.5.6 A.5.2
I/O units and interfaces incl. communication links	Static failures and cross talk on I/O lines as well as random and systematic failures in the data flow, shall be detected with due consideration to the system reaction time.	Code safety, or test pattern.	M 5.4 M 5.5	A.6.2 A.6.1
Clock	Failures in clock generation for processing units like frequency modification or break down shall be detected with due consideration to the system reaction time.	Watchdog with separate time base, or reciprocal monitoring.	M 6.1 M 6.2	A.9.4
Program sequence	Wrong program sequence and inappropriate execution time of the safety function shall be detected with due consideration to the system reaction time.	Combination of timing and logical monitoring of program sequence.	M 7.1	A.9.4
NOTE As a consequence of the detection of a failure, a safe state of the lift shall be maintained.				

Table 11 - Specific measures according to SIL 3

Components and functions	Requirements	Measures	see No. in Annex P	EN 61508-7:2001 reference
Structure	The structure shall be such that any single random failure is detected with due consideration to the system reaction time and that the system goes into a safe state.	2 channels or more with comparison.	M 1.3	A.2.5
Processing units	Failures in processing units, which can lead to incorrect results, shall be detected with due consideration to the system reaction time. If such a failure can lead to a dangerous situation the system shall go into a safe state.	Comparator for two channels structure, or reciprocal comparison by software for 2-channel structure.	M 2.4 M 2.5	A.1.3 A.3.5
Invariant memory ranges	Incorrect information modification, i.e. all 1-bit or multi-bit failures, shall be detected with due consideration to the system reaction time.	Block safety procedure with block replication, or block safety with multi-word redundancy.	M 3.3 M 3.4	A.4.5 A.4.4
Variable memory ranges	Global failures during addressing, writing, storing and reading as well as static bit failures and dynamic couplings shall be detected with due consideration to the system reaction time.	Block safety procedure with block replication, or inspection checks such as "Galpat".	M 4.2 M 4.3	A.5.7 A.5.3
I/O units and interfaces incl. communication links	Static failures and cross talk on I/O lines as well as random and systematic failures in the data flow, shall be detected with due consideration to the system reaction time.	Multi-channel parallel input and multi-channel parallel output, or output read back, or code safety, or test pattern.	M 5.1 M 5.3 M 5.2 M 5.4 M 5.5	A.6.5 A.6.3 A.6.4 A.6.2 A.6.1
Clock	Failures in clock generation for processing units like frequency modification or break down shall be detected with due consideration to the system reaction time.	Watchdog with separate time base, or reciprocal monitoring.	M 6.1 M 6.2	A.9.4
Program sequence	Wrong program sequence and inappropriate execution time of the safety function shall be detected with due consideration to the system reaction time.	Combination of timing and logical monitoring of program sequence.	M 7.1	A.9.4

NOTE As a consequence of the detection of a failure, a safe state of the lift shall be maintained.

A1

14.2 Controls

14.2.1 Control of lift operations

Control shall be effected electrically.

14.2.1.1 Control of normal operation

This control shall be by the aid of buttons or similar devices, such as touch control, magnetic cards, etc. These shall be placed in boxes, such that no live parts are accessible to the user.

14.2.1.2 Control of levelling and re-levelling with doors open

In the specific case referred to in **7.7.2.2 a)** movement of the car with landing and car doors open is permitted for levelling and re-levelling on condition that:

- a) the movement is limited to the unlocking zone (**7.7.1**):
 - 1) all movement of the car outside the unlocking zone shall be prevented by at least one switching device mounted in the bridge or shunt of the door and lock electric safety devices;
 - 2) this switching device shall:
 - either be a safety contact in conformity with **14.1.2.2**, or
 - be connected in such a way as to satisfy the requirements for safety circuits in **14.1.2.3**;
 - 3) if the operation of the switches is dependent upon a device which is indirectly mechanically linked to the car, e.g. by rope, belt or chain, the breaking of or slack in the connecting link shall cause the machine to stop through the action of an electric safety device in conformity with **14.1.2**;
 - 4) during levelling operations, the means for making the electric safety devices of doors inoperative shall only function after the stopping signal for this landing has been given;
- b) the speed of levelling does not exceed 0,8 m/s. In addition on lifts with manually controlled landing doors, there shall be a check that:
 - 1) for machines whose maximum speed of rotation is determined by the fixed frequency of the supply, the control circuit for the low speed movement only has been energized;
 - 2) for other machines, the speed at the moment the unlocking zone is reached does not exceed 0,8 m/s;
- c) the speed of re-levelling does not exceed 0,3 m/s. It shall be checked:
 - 1) for machines whose maximum speed of rotation is determined by the fixed frequency of the supply, that the control circuit for the low speed movement only has been energized;
 - 2) for machines supplied from static converters, that re-levelling speed does not exceed 0,3 m/s.

14.2.1.3 Control of inspection operation

A2) To facilitate inspection and maintenance, a readily accessible inspection control station shall be provided on the car roof.

The inspection control station shall be brought into operation by a switch (inspection operation switch) which shall satisfy the requirements for electric safety devices (14.1.2).

This switch, which shall be bi-stable, shall be protected against involuntary operation.

The following conditions for functioning shall be satisfied simultaneously:

- a) engagement of the inspection operation shall neutralize:
 - 1) the normal operation controls, including the operation of any automatic power operated doors ;
 - 2) emergency electrical operation (14.2.1.4) ;
 - 3) docking operation (14.2.1.5).

The return to normal service of the lift shall only be effected by another operation of the inspection switch.

If the switching devices used for this neutralization are not safety contacts integral with the inspection switch mechanism, precautions shall be taken to prevent all involuntary movement of the car in the event of one of the faults listed in 14.1.1.1 appearing in the circuit;

- b) the movement of the car shall be dependent on a constant pressure on a push-button protected against accidental operation and with the direction of movement clearly indicated ;
- c) the control device shall also incorporate a stopping device in conformity with 14.2.2 ;
- d) the car speed shall not exceed 0,63 m/s ;
- e) the limits of normal car travel shall not be overrun ;
- f) the operation of the lift shall remain dependent on the safety devices.

The control station may also incorporate special switches protected against accidental operation for controlling the mechanism of doors from the car roof.

A secondary inspection control station may be placed in the car in the case of 6.4.3.4, in the pit in the case of 6.4.4.1 or on a platform in the case 6.4.5.6.

Where two inspection control stations are fitted, an interlock system shall ensure the following:

- g) if one inspection control station is switched to "INSPECTION", the lift can be moved by pressing the push buttons on that inspection control station;
- h) if more than one inspection control station is switched to "INSPECTION":
 - 1) it shall not be possible to move the car from any of them, or
 - 2) it shall be possible to move the car when push buttons on both inspection control stations are operated simultaneously (see 0.3.18).

More than two inspection control stations shall not be installed. A_2

14.2.1.4 Control of emergency electrical operation

A_2 If a means of emergency electrical operation is required in accordance with 12.5.2 an emergency electrical operation switch in conformity with 14.1.2 shall be installed. The machine shall be supplied from the normal main supply or from the standby supply if there is one.

The following conditions shall be satisfied simultaneously:

a) operation of the emergency electrical operation switch shall permit the control of car movement by constant pressure on buttons protected against accidental operation. The direction of movement shall be clearly indicated;

b) after operation of the emergency electrical operation switch, all movement of the car except that controlled by this switch shall be prevented.

The effects of the emergency electrical operation shall be overridden by switching on the inspection operation;

c) the emergency electrical operation switch shall render inoperative by itself or through another electric switch in conformity with 14.1.2 the following electric devices:

- 1) those mounted on the safety gear, according to 9.8.8;
- 2) those of the overspeed governor, according to 9.9.11.1 and 9.9.11.2;
- 3) those mounted on the ascending car overspeed protection means, according to 9.10.5;
- 4) those mounted on the buffers, according to 10.4.3.4;
- 5) final limit switches, according to 10.5;

d) the emergency electrical operation switch and its push-buttons shall be so placed that the machine can be observed directly or by display devices (6.6.2 c));

e) the car speed shall not exceed 0,63 m/s. $\sqrt{A_2}$

14.2.1.5 Control of docking operation

In the specific case covered by **7.7.2.2 b)**, movement of the car is permitted with the landing and car doors open to allow loading or unloading of lifts, under the following conditions:

- a) movement of the car shall only be possible in a zone not exceeding 1,65 m above the corresponding landing level;
- b) movement of the car shall be limited by a directional electric safety device in conformity with the requirements of **14.1.2**;
- c) the speed shall not exceed 0,3 m/s;
- d) the landing door and the car door shall only be opened on the docking side;
- e) the zone of movement shall be clearly visible from the docking operation control position;
- f) the docking operation shall only become possible after operation of a key operated safety contact, the key of which can only be removed when in position to discontinue the docking operation. A key of this type shall be given only to a responsible person together with a written instruction drawing attention to the danger which may be involved in using this key;
- g) the engagement of the key operated safety contact:
 - 1) shall neutralize the effects of the normal operation controls.

If the switching devices used are not safety contacts integral with the key operated contact mechanisms, precautions shall be taken to prevent all involuntary movement of the car in the event of one of the faults listed in **14.1.1.1** appearing in the circuit;

- 2) shall only allow movement of the car by use of a constant pressure button. The direction of movement shall be clearly indicated;
- 3) may render inoperative, by itself or through another electric switch in conformity with **14.1.2**:
 - the electric safety device of the lock of the landing door concerned;
 - the electric safety device for proving closure of the landing door concerned;
 - the electric safety device for proving closure of the car door at the docking entrance;
- h) the effects of the docking operation shall be overridden by the engagement of the inspection operation;
- i) there shall be a stopping device in the car (**14.2.2.1 e**).

14.2.2 Stopping devices

14.2.2.1 ^(A2) A stopping device shall be provided for stopping, and maintaining the lift out of service, including the power operated doors:

- a) in the lift pit (5.7.3.4 a));
- b) in the pulley room (6.7.1.5);
- c) on the car roof (8.15), in an easily accessible position and no more than 1 m from the entry point for inspection or maintenance personnel. This device may be the one located next to the inspection operation control if this is not placed more than 1 m from the access point;
- d) at the inspection control device (14.2.1.3 c));
- e) in the car of lifts with docking operation (14.2.1.5 i)). The stopping device shall be placed within 1 m of the entrance with docking operation and be clearly identified (15.2.3.1);
- f) at the lift machine, unless there is a main switch or another stopping device nearby that is directly accessible within 1 m;
- g) at the test panel(s) (6.6), unless there is a main switch or another stopping device nearby that is directly accessible within 1 m. ^(A2)

14.2.2.2 The stopping devices shall consist of electric safety devices in conformity with **14.1.2**. They shall be bi-stable and such that a return to service cannot result from an involuntary action.

14.2.2.3 A stopping device in the car shall not be used except for cars with docking operation.

14.2.3 Emergency alarm device

14.2.3.1 In order to call for outside assistance, passengers shall have available in the car an easily recognizable and accessible device for this purpose.

14.2.3.2 The power for this device shall be either from the emergency lighting supply called for in **8.17.4** or from an equivalent supply.

NOTE In the case of connection to a public telephone network, **14.2.3.2** does not apply.

14.2.3.3 This device shall allow a two-way voice communication allowing permanent contact with a rescue service. After initiation of the communication system no further action of the trapped person shall be necessary.

14.2.3.4 ^{A2} An intercom system, or similar device, powered by the emergency supply referred to in 8.17.4 shall be installed between inside the car and the place from which the emergency operation is carried out if the lift travel exceeds 30 m or if a direct acoustic communication between both locations is not possible. ^{A2}

14.2.4 Priorities and signals

14.2.4.1 For lifts with manual doors, a device shall prevent the car leaving a landing for a period of at least 2 s after stopping.

14.2.4.2 A user entering the car shall have at least 2 seconds after the doors have closed, to actuate a control device before any external call buttons can become effective.

This requirement need not apply in the case of lifts operating on collective control.

14.2.4.3 In the case of collective control, an illuminated signal, which is clearly visible from the landing, shall indicate to the users waiting on this landing the direction of the next movement imposed on the car.

NOTE For groups of lifts, position indicators on the landings are not recommended. However, it is recommended that the arrival of a car be preceded by an audible signal.

14.2.5 Load control

14.2.5.1 The lift shall be fitted with a device to prevent normal starting, including re-levelling, in the event of overload in the car.

14.2.5.2 The overload is considered to occur when the rated load is exceeded by 10 % with a minimum of 75 kg.

14.2.5.3 In the event of overload:

- a) users shall be informed by an audible and/or a visible signal in the car;
- b) automatic power operated doors shall be brought into the fully open position;
- c) manually operated doors shall remain unlocked;
- d) any preliminary operation in accordance with **7.7.2.1** and **7.7.3.1** shall be nullified.

15 Notices, markings and operating instructions

15.1 General provisions

All labels, notices, markings and operating instructions shall be indelible, legible and readily understandable (if necessary aided by signs or symbols). They shall be untearable, of durable material, placed in a visible position, and written in the language of the country where the lift is installed (or, if necessary, in several languages).

15.2 Car

15.2.1 In the car the rated load of the lift in kilograms as well as the number of persons shall be displayed.

The number of persons shall be determined by reference to 8.2.3.

The notice shall be made as follows:

“... kg ... PERS.”

The minimum height of the characters used for the notice shall be:

- a) 10 mm for capital letters and numbers;
- b) 7 mm for small letters.

15.2.2 The vendor's name and the vendor's lift identification number shall be displayed in the car.

15.2.3 Other information in the car

15.2.3.1 The control device of the stop switch (where fitted) shall be red in colour and identified by the word “STOP”, so placed that there can be no risk of error as to the stop position.

The button (if any) of the alarm switch shall be yellow in colour and identified by the symbol:



The colours red and yellow shall not be used for other buttons. However, these colours may be used for illuminated 'call registered' signals.

15.2.3.2 The control devices shall be clearly identified by reference to their function; for this purpose it is recommended to use:

- a) for control buttons the markings -2, -1, 0, 1, 2, 3, etc.;
- b) for the door re-open button, where applicable, the indication:



15.2.4 Instructions to ensure safe usage of the lift shall be placed in the car whenever the need for these is apparent.

These shall at least indicate:


- a) in the case of a lift with docking operation, instructions specific to this operation;
- b) for lifts with telephones or intercom system, the instructions for use, if not self-evident;
- c) that after using the lift, it is necessary to close manually operated doors and power operated doors where closing is carried out under the continuous control of the users.

15.3 Car roof

On the car roof the following information shall be given:

- a) the word **“STOP”** on or near the stopping device(s), so placed that there can be no risk of error as to the stop position;
- b) the words **“NORMAL”** and **“INSPECTION”** on or near the inspection operation switch;
- c) the direction of motion on or near the inspection buttons;
- d) warning sign or a notice at the balustrade.

15.4 Machinery and pulley spaces

15.4.1  A notice bearing the following minimum inscription :

“Lift Machinery - Danger

Access forbidden to unauthorized persons”


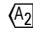
shall be fixed to the outside of doors or trap-doors (excluding landing doors and doors of emergency and test panels) giving access to machinery and pulley spaces.

In the case of trap-doors, a permanently visible notice shall indicate to those using the trap-door :

“Danger of falling - Reclose the trap-door” 

15.4.2 Notices shall be provided to permit easy identification of the main switch(es) and the light switch(es).

If, after release of a main switch, some parts remain live (interconnection between lifts, lighting, .) notice (s) shall indicate this.


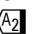
15.4.3  In the machine room (6.3), the machinery cabinet (6.5.2) or at the emergency and tests panel(s) (6.6), there shall be detailed instructions to be followed in the event of lift breakdown, particularly concerning the use of the device for manual or electrical emergency movement, and the unlocking key for landing doors. 

15.4.3.1 The direction of movement of the car shall be clearly indicated on the machine, close to the hand winding wheel.


If the wheel is not removable, the indication may be on the wheel itself.

15.4.3.2 On or near the emergency electrical operation buttons, there shall be markings to show the corresponding direction of movement.

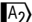
15.4.4 On or near the stopping device in the pulley room there shall be the word **“STOP”** so placed that there can be no risk of error as to the stop position.


15.4.5  The maximum permissible load shall be indicated on the lifting beam or hooks (see 6.3.8 and 6.4.10). 



15.4.6 The maximum permissible load shall be indicated on the platform (see 6.4.5.3). 

15.5 Well

15.5.1  Outside of the well, near any inspection or access doors (except landing doors), there shall be a notice stating:


**"Lift well – Danger of falling
Access forbidden to unauthorised persons" **

15.5.2 Landing doors with manual opening, if they can be confused with other adjacent doors, shall bear the inscription **"LIFT"**.

15.5.3 On goods passenger lifts a sign, which is visible from the landing loading area at all times, shall display the rated load.

15.5.4  In the case of:

- a retractable platform (6.4.5) and/or movable stops (6.4.5.2 b)),
- or manually operated mechanical device (6.4.3.1, 6.4.4.1),

a clear notice(s) giving all the necessary instructions for operation shall be affixed at an appropriate place(s) in the well. 

15.6 Overspeed governor

On the overspeed governor a data plate shall be fixed indicating:

- a) the name of the manufacturer of the overspeed governor;
- b) the type examination sign and its references;
- c) the actual tripping speed for which it has been adjusted.

15.7 Pit

On or near the stop switch in the pit there shall be the word **"STOP"**, so placed that there can be no risk of error as to the stop position.

15.8 Buffers

On the buffers, other than energy accumulation type buffers, there shall be a data plate showing:

- a) the name of the manufacturer of the buffer;
- b) the type examination sign and its references.

15.9 Landing identification

Visible notices or signals shall permit persons in the car to know at which landing the lift has stopped.

15.10 Electrical identification

Contactors, relays, fuses and connection strips for circuits coming into the control panels shall be marked in accordance with the wiring diagram. The necessary fuse specifications such as value and type shall be marked on the fuse or on or near the fuse holders.

In the case of the use of multiple wire connectors, only the connector, and not the wires, needs to be marked.

15.11 Unlocking key for landing doors

The unlocking key shall have a label attached drawing attention to the danger which may be involved in using this key and the need to make sure that the door is locked after it has been closed.

15.12 Alarm device

The bell or device activated during a call for help from the car shall be clearly marked “Lift alarm”.

In the case of multiple lifts it shall be possible to identify the car from which the call is being made.

15.13 Locking devices

On locking devices a data plate shall be fixed indicating:

- a) the name of the manufacturer of the locking device;
- b) the type examination sign and its references.

15.14 Safety gear

On safety gears a data plate shall be fixed indicating:

- a) the name of the manufacturer of the safety gear;
- b) the type examination sign and its references.

15.15 Groups of lifts

If parts of different lifts are present in one machine-, and/or pulley room each lift shall be identified with a number or letter consistently used for all parts (machine, controller, overspeed governor, switches, etc.).

To facilitate maintenance, etc. on the car roof, in the pit or other places where necessary, the same identification symbol shall appear.

15.16 Ascending car overspeed protection means

On the ascending car overspeed protection means a data plate shall be fixed indicating:

- a) the name of the manufacturer;
- a) the type examination sign and its reference;
- b) the actual tripping speed for which it has been adjusted.

16 Examinations - Tests - Register - Maintenance

16.1 Examinations and tests

16.1.1 The technical dossier to be supplied if applying for preliminary authorization shall contain the necessary information to ascertain that the constituent parts are correctly designed and the proposed installation is in conformity with this standard.

This verification can only relate to items, or some of them, which form the subject of an examination or test prior to putting the lift into service.

NOTE **Annex C** might serve as a basis for those who wish to carry out, or to have carried out, a study of an installation before putting it into effect.

16.1.2 Before putting into service, lifts shall be subject to examinations and tests in accordance with **annex D**.

NOTE It may be required in the case of lifts which have not been subject to application for a preliminary authorization, to supply all or some of the technical information and calculations which appear in **annex C**.

16.1.3 A copy of each relevant type examination certificate shall be provided for:

- a) locking devices;
- b) landing doors (i.e. fire test certificate);
- c) safety gear;
- d) overspeed governors;
- e) ascending car overspeed protection means;
- f) energy dissipation type buffers, energy accumulation type buffers with buffered return movement and energy accumulation type buffers with non linear characteristics;
- g) safety circuits containing electronic components;

A3

- h) protection against unintended car movement. **A3**

16.2 Register

The basic characteristics of the lift shall be recorded in a register, or file, drawn up at the latest at the time the installation is put into service. This register or file shall comprise:

- a) a technical section giving:
 - 1) the date the lift was put into service;
 - 2) the basic characteristics of the lift;
 - 3) the characteristics of the ropes and/or chains;
 - 4) the characteristics of those parts for which verification of conformity is required (16.1.3);
 - 5) the plans of installation in the building;

- 6) electric schematic diagrams (using CENELEC symbols); the circuit diagrams may be limited to the circuits for the overall understanding of the safety considerations. The abbreviations used with the symbols shall be explained by means of a nomenclature;
- b) a section intended to keep duplicate dated copies of examination and inspection reports, with observations.

This register or file shall be kept up-to-date in case of:

- 1) important modifications to the lift (**annex E**);
- 2) replacement of ropes or important parts;
- 3) accidents.

NOTE This register or file should be available to those in charge of the maintenance, and to the person or organization responsible for the periodical examinations and tests.

16.3 Installer information

The manufacturer/installer shall provide an instruction manual.

16.3.1 Normal use

A₂ The instruction manual shall give the necessary information about the normal use of the lift and rescue operation, especially relating to:

- a) keeping the doors giving access to machinery and pulley spaces locked;
- b) safe loading and unloading;
- c) precaution to be taken in case of lifts with partially enclosed well (5.2.1.2 d));
- d) events needing the intervention of a competent person;
- e) keeping the documentation;
- f) the use of the emergency unlocking key;
- g) rescue operation. **A₂**

16.3.2 Maintenance

The instruction manual shall inform about:

- a) necessary maintenance of the lift and its accessories in order to keep it in working order (see **0.3.2**);
- b) instruction for safe maintenance.

16.3.3 Examinations and tests

The instruction manual shall inform about the following:

16.3.3.1 Periodical examinations

Periodical examinations and tests on lifts should be carried out after they are put into service to verify that they are in good condition. These periodical examinations and tests should be carried out in accordance with **annex E**.

A1 Where the functional verification of the safety devices listed in the Tables A.1 and A.2 is not possible during normal operation of the lift, information shall be provided in the instruction manual to enable the functional verification to be carried out. **A1**

16.3.3.2 Examinations after important modifications or accidents

Examinations and tests should be carried out after important modifications or after an accident to ascertain that lifts continue to conform to this standard. These examinations and tests should be carried out in accordance with **annex E**.

Annex A
(normative)

List of the electric safety devices

A₁) Table A.1 - List of the electric safety devices

Clause	Devices checked	SIL
5.2.2.2.2	Check on closed position of inspection and emergency doors and inspection traps	2
5.7.3.4 a)	Stopping device in the pit	2
6.4.3.1 b)	Check of the inactive position of the mechanical device	3
6.4.3.3 e)	Check of the closed position of the inspection traps and doors in the car	2
6.4.4.1 e)	Check of the opening by use of a key of a door giving access to the pit	2
6.4.4.1 f)	Check of the inactive position of the mechanical device	3
6.4.4.1 g)	Check of the active position of the mechanical device	3
6.4.5.4 a)	Check of the fully retracted position of the retractable platform	3
6.4.5.5 b)	Check of the fully retracted position of the movable stops	3
6.4.5.5 c)	Check the fully extended position of the movable stops	3
6.4.7.1 e)	Check of the closed position of the access door	2
6.4.7.2 e)	Check of the closed position of the access door	2
6.7.1.5	Stopping device in the pulley room	1
7.7.3.1	Check on locking of landing doors: - automatically operated landing doors in accordance with 7.7.4.2 ; - manually operated landing doors	2 3
7.7.4.1	Check on closed position of landing doors	3
7.7.6.2	Check on closed position of the panels without locks	3
8.9.2	Check on closed position of car door	3
8.12.4.2	Check on locking of the emergency trap and the emergency door in car	2
8.15 b)	Stopping device on the car roof	3
9.5.3	Check on the abnormal relative extension of a rope or chain in case of two ropes or two chain type suspension	1
9.6.1 e)	Check on the tension in the compensation ropes	3
9.6.2	Check on the anti-rebound device	3
9.8.8	Check on the operation of safety gear	1
9.9.11.1	Over speed detection without actuating the ascending car over speed protection means	1
9.9.11.1	Over speed detection actuating the ascending car over speed protection means	2
9.9.11.2	Check on the release of the over speed governor	3
9.9.11.3	Check on the tension in the over speed governor rope	3
9.10.5	Check on the ascending car over speed protection means	1
A ₃) 9.11.7	Detection of unintended car movement with open doors	2
9.11.8	Check the activation of the unintended car movement with open doors protection means	1 A ₃)

Clause	Devices checked	SIL
10.4.3.4	Check on the return to normal extended position of buffers	3
10.5.2.3 b)	Check on the tension in the device for transmission of the car position (final limit switches)	1
10.5.3.1 b) 2)	Final limit switches for traction drive lifts	1
11.2.1 c)	Check on locking of car door	2
12.5.1.1	Check on the positions of the removable wheel	1
12.8.4 c)	Check on the tension in the device for transmission of the car position (slowdown checking device)	2
12.8.5	Check on retardation in the case of reduced stroke buffers	2
12.9	Check for slack rope or slack chain for positive drive lifts	2
13.4.2	Control of main switch by means of circuit breaker contactor	2
14.2.1.2 a) 2)	Check on levelling and re-levelling	2
14.2.1.2 a) 3)	Check on the tension in the device for transmission of the car position (levelling and re-levelling)	2
14.2.1.3 c)	Stopping device with inspection operation	3
14.2.1.5 b)	Limitation of movement of the car with docking operation	2
14.2.1.5 i)	Stopping device with docking operation	2
14.2.2.1 f)	Stopping device at lift machine	2
14.2.2.1 g)	Stopping device at emergency and tests panel(s)	2
A3 deleted text A3		

Table A.2 - Electric safety devices requiring classification of safety function when used in conjunction with programmable electronic systems (PESSRAL)

Clause	Devices checked	SIL
14.2.1.3	Inspection operation switch	3
14.2.1.4	Emergency electrical operation switch	3
14.2.1.5 g) 3)	Key operated safety contact position with docking operation	2

NOTE The classification in the above Tables A1 and A2 applies only when programmable electronic systems (PESSRAL) are used. This classification is not a risk classification for safety contacts or safety circuits but a classification to define the safety integrity level for the PESSRAL to be used in the corresponding electric safety device. A1

Annex B
(normative)

Unlocking triangle

Dimensions in millimetres

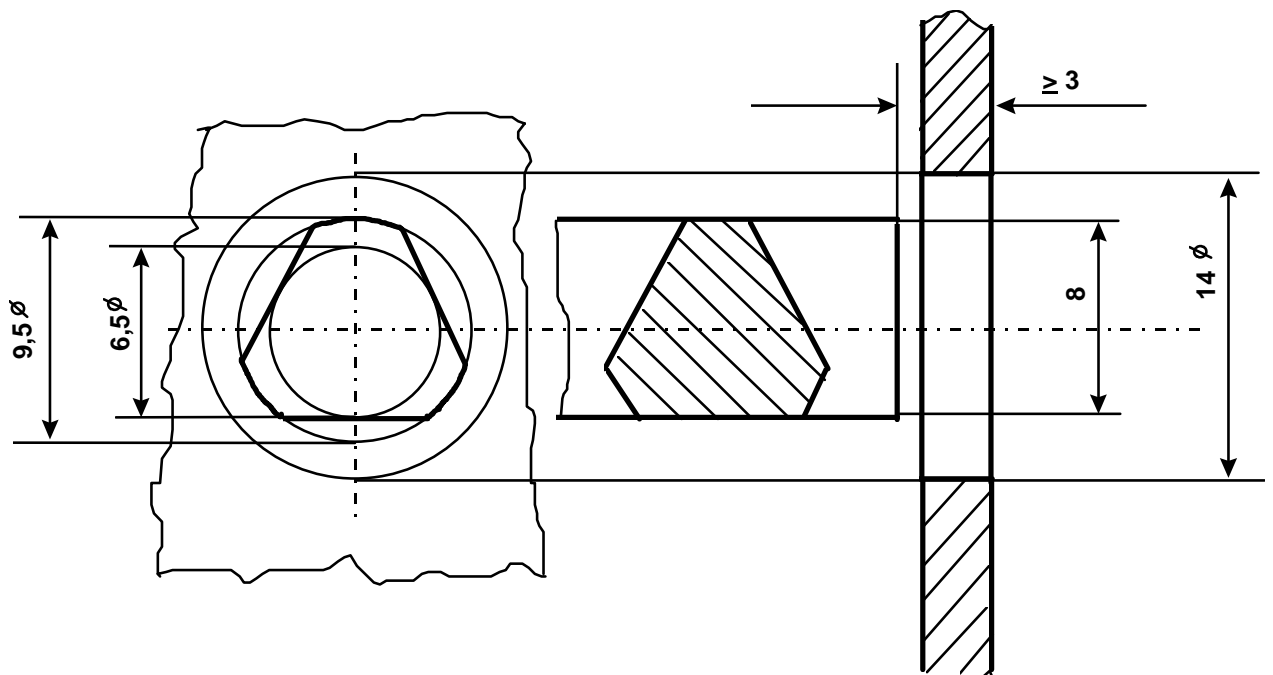


Figure B.1 — Unlocking triangle

Annex C **(informative)**

Technical dossier

C.1 Introduction

The technical dossier to be submitted with the application for preliminary authorization should comprise all or part of the information and documents figuring in the following list.

C.2 General

A₂

- a) names and addresses of the installer, the owner and/or the user;
- b) address of the installation premises;
- c) type of equipment - rated load - rated speed - number of passengers;
- d) travel of the lift, number of landings served;
- e) mass of the car and of the counterweight or balancing weight;
- f) means of access to machinery and pulley spaces. **A₂**

C.3 Technical details and plans

A₂ Necessary plans and sections in order to understand the lift installation, including spaces for machines, pulleys and apparatus.

These plans do not have to give details of construction, but they should contain the necessary particulars to check conformity to this document, and particularly the following:

- a) clearances at the top of the well and in the pit (5.7.1, 5.7.2, 5.7.3.3);
- b) any accessible spaces which exist below the well (5.5);
- c) access to the pit (5.7.3.2);
- d) guards between lifts if there are more than one in the same well (5.6);
- e) provision for holes for fixings;
- f) position and principal dimensions of machinery spaces with the layout of the machine and principal devices. Dimensions of the traction sheave or the drum. Ventilation holes. Reaction loads on the building and at the bottom of the pit;
- g) access to machinery spaces (6.2);
- h) position and principal dimensions of the pulley spaces, if any. Position and dimensions of pulleys;

- i) position of other devices in the pulley spaces;
- j) access to the pulley spaces (6.7.1.3);
- k) arrangement and principal dimensions of landing doors (7.3). It is not necessary to show all the doors if they are identical and if the distances between the landing door sills are indicated;
- l) arrangement and dimensions of inspection doors and inspection traps and emergency doors (5.2.2);
- m) dimensions of the car and of its entrances (8.1, 8.2);
- n) distances from the sill and from the car door to the inner surface of the well wall (11.2.1 and 11.2.2);
- o) horizontal distance between the closed car and landing doors measured as indicated in 11.2.3;
- p) principal characteristics of the suspension – safety factor- ropes (number, diameter, composition, breaking load) - chains (type, composition, pitch, breaking load) - compensation ropes (where provided);
- q) calculation of the safety factor (annex N);
- r) principal characteristics of the overspeed governor rope and/or safety rope: diameter, composition, breaking load, safety factor;
- s) dimensions and proof of the guide rails, condition and dimensions of the rubbing surfaces (drawn, milled, ground);
- t) dimensions and proof of energy accumulation type buffers with linear characteristics. $\overline{A_2}$

C.4 Electric schematic diagrams

Outline electric schematic diagrams of:

- the power circuits, and
- the circuits connected with electric safety devices.

These schematic diagrams should be clear and use CENELEC symbols.

C.5 Verification of conformity

Copies of type examination certificate for safety components.

Copies of certificates for other components (ropes, chains, explosion proof equipment, glass, etc.) where relevant.

Setting up certificate for the safety gear according to the instructions provided by the safety gear manufacturer and calculation of the compression of the springs in the case of progressive safety gear.

Annex D (normative)

Examinations and tests before putting into service

Before the lift is put into service, the following examinations and tests shall be carried out:

D.1 Examinations

These examinations shall cover in particular the following points:

- a) if there has been a preliminary authorization, comparison of the documents submitted on that occasion (**annex C**) with the installation as it has been installed;
- b) in all cases, verification that the requirements of this standard are fulfilled;
- c) visual examination of the application of the rules of good construction of the components for which this standard has no special requirements;
- d) comparison of the details given in the verification of conformity for the safety components, with the characteristics of the lift.

D.2 Tests and verifications

These tests and verifications shall cover the following points:

- a) locking devices (**7.7**);
- b) electric safety devices (**annex A**);
- c) suspension elements and their attachments:
it shall be verified that their characteristics are those indicated in the register or file (**16.2.a**);
- d) braking system (**12.4**):
the test shall be carried out whilst the car is descending at rated speed with 125 % of the rated load and interrupting the supply to the motor and the brake;
- e) measurements of current or power and of speed (**12.6**);
- f) electric wiring:
 - 1) $\overline{A_2}$ measurement of the insulation resistance of the different circuits (**13.1.3**). For this measurement all the electronic components are to be disconnected;
 - 2) verification of the electrical continuity of the connection between the main earth terminal of the machinery spaces and the different parts of the lift liable to be made live accidentally; $\overline{A_2}$
- g) final limit switches (**10.5**);
- h) checking of the traction (**9.3**);

- 1) the traction shall be checked by making several stops with the most severe braking compatible with the installation. At each test, complete stoppage of the car shall occur;

the test shall be carried out:

- a) ascending, with the car empty, in the upper part of the travel;
 - b) descending, with the car loaded with 125 % of the rated load, in the lower part of the travel;
- 2) it will be checked that the empty car cannot be raised, when the counterweight rests on its compressed buffer;
 - 3) it shall be checked that the balance is as stated by the installer;

this check can be made by means of measurements of current combined with:

- a) speed measurements for A.C. motors;
 - b) voltage measurements for D.C. motors;
- i) overspeed governor:
 - 1) the tripping speed of the overspeed governor shall be checked in the direction corresponding to the descent of the car (9.9.1 and 9.9.2) or the counterweight $\overline{AC_1}$ or the balancing weight $\overline{AC_1}$ (9.9.3);
 - 2) the operation of the stopping control laid down in 9.9.11.1 and 9.9.11.2 shall be checked in both directions of movement;
 - j) car safety gear (9.8):

the energy which the safety gear is capable of absorbing at the moment of engagement will have been verified in accordance with F.3. The aim of the test before putting into service is to check the correct mounting, correct setting and the soundness of the complete assembly, comprising car, safety gear, guide rails and their fixing to the building.

The test shall be made while the car is descending, with the required load uniformly distributed over the car area, with the machine running until the ropes slip or become slack, and under the following conditions:

- 1) instantaneous safety gear or instantaneous safety gear with buffered effect:

the car shall be loaded with the rated load, and travel at rated speed;

- 2) progressive safety gear:

the car shall be loaded with 125 % of the rated load, and travel at rated speed or lower.

When the test is made with lower than rated speed, the manufacturer shall provide curves to illustrate the behaviour of the type tested progressive safety gear when dynamically tested with the suspensions attached.

After the test, it shall be ascertained that no deterioration, which could adversely affect the normal use of the lift has occurred. If necessary, friction components may be replaced.
Visual check is considered to be sufficient;

NOTE In order to facilitate disengagement of the safety gear, it is recommended that the test be carried out opposite a door in order to be able to unload the car;

k) counterweight or balancing weight safety gear (**9.8**):

the energy, which the safety gear is capable of absorbing at the moment of engagement will have been verified in accordance with **F.3**. The aim of the test before putting into service is to check the correct mounting, correct setting and the soundness of the complete assembly, comprising counterweight or balancing weight, safety gear, guide rails and their fixing to the building.

The test shall be made while the counterweight or the balancing weight is descending, with the machine running until the ropes slip or become slack, and under the following conditions:

- 1) instantaneous safety gear or instantaneous safety gear with buffered effect, tripped by overspeed governor or safety rope:

the test shall be made with empty car at rated speed;

- 2) progressive safety gear:

the test shall be made with empty car at rated speed or lower.

When the test is made with lower than rated speed, the manufacturer shall provide curves to illustrate the behaviour of the type tested progressive safety gear under counterweight or balancing weight application when dynamically tested with the suspensions attached.

After the test, it shall be ascertained that no deterioration, which could adversely affect the normal use of the lift has occurred. If necessary, friction components may be replaced.

Visual check is considered to be sufficient;

l) buffers (**10.3**, **10.4**):

- 1) energy accumulation type buffers:

the test shall be carried out in the following manner: the car with its rated load shall be placed on the buffer(s), the ropes shall be made slack and it shall be checked that the compression corresponds to the figures given in the technical dossier according to **C.3** and means to identify the buffers according to **C5**;

- 2) energy accumulation type buffers with buffered return movement and energy dissipation type buffers:

the test shall be made in the following manner: the car with its rated load and the counterweight shall be brought into contact with the buffers at the rated speed or at the speed for which the stroke of the buffers has been calculated, in the case of the use of reduced stroke buffers with verification of the retardation (**10.4.3.2**).

After the test, it shall be ascertained that no deterioration, which could adversely affect the normal use of the lift has occurred. Visual check is considered to be sufficient;

m) alarm device (**14.2.3**):

functional test;

n) ascending car overspeed protection means (**9.10**):

the test shall be made while the empty car is ascending at not less than rated speed, using only this device for braking.

A2

o) functional tests of the following devices if available:

- mechanical device for preventing movement of the car (6.4.3.1);
- mechanical device for stopping the car (6.4.4.1). Special attention shall be given to safety gear used as mechanical device, e.g. when tripped at the emergency operation speed and car empty;
- platform (6.4.5);
- mechanical device for blocking the car or movable stops (6.4.5.2);
- devices for emergency and tests operations (6.6). ^{A2}

^{A3}

- Stopping of the car at landings and levelling accuracy (12.12)
 - the stopping accuracy of the car shall be verified to be in compliance with 12.12, at all landings, and in both directions for intermediate floors;
 - verify that the car maintains levelling accuracy as per 12.12 during loading and unloading conditions. This verification shall be made at the most unfavourable floor. ^{A3}

^{A3}

p) Unintended car movement protection means (9.11)

The type-examination has demonstrated the functionality of the means. The aim of the test before putting into service is to check detection, and stopping elements.

Test-requirements

Only the stopping element of the means defined in 9.11 shall be used for the tests for stopping the lift.

The test shall:

- consist of verifying that the stopping element of the means is triggered as required by type examination;
- be made by moving the empty car in up direction in the upper part of the well (e.g. from one floor from top terminal) and fully loaded car in down direction in the lower part of the well (e.g. from one floor from bottom terminal) with a 'pre-set' speed, e.g. as defined during type testing, (inspection speed etc.);

The test, as defined by the type-examination, shall confirm that the unintended movement distance will not exceed the value given in 9.11.5.

If the means requires self-monitoring (9.11.3), its function shall be checked.

NOTE If the stopping element of the means involves elements present at landing floors, it could be necessary to repeat the test for each concerned landing. ^{A3}

Annex E (informative)

Periodical examinations and tests, examinations and tests after an important modification or after an accident

E.1 Periodical examinations and tests

Periodical examinations and tests shall not be more stringent than those required before the lift was the first time put into service.

These periodical tests should not, through their repetition, cause excessive wear or impose stresses likely to reduce the safety of the lift. This is the case in particular of the test on components such as the safety gear and the buffers. If tests on these components are made, they shall be carried out with empty car and at a reduced speed.

The person appointed to make the periodical test should assure himself that these components (which do not operate in normal service) are still in an operating condition.

A duplicate copy of the report should be attached to the register or file in the part covered by **16.2**.

E.2 Examinations and tests after an important modification or after an accident

A₂ The important modifications and accidents shall be recorded in the technical part of the register or file covered in **16.2**.

In particular, the following are considered as important modifications:

- a) change of:
 - 1) rated speed;
 - 2) rated load;
 - 3) mass of the car;
 - 4) travel;
- b) change or replacement of:
 - 1) type of locking devices (the replacement of a locking device by a device of the same type is not considered as an important modification);
 - 2) control system;
 - 3) guide rails or the type of guide rails;
 - 4) type of door (or the addition of one or more landing or car doors);
 - 5) machine or the traction sheave;
 - 6) overspeed governor;

- 7) ascending car overspeed protection means;
- 8) buffers;
- 9) safety gear;
- 10) mechanical device for preventing movement of the car (6.4.3.1);
- 11) mechanical device for stopping the car (6.4.4.1);
- 12) platform (6.4.5);
- 13) mechanical device for blocking the car or movable stops (6.4.5.2);
- 14) devices for emergency and tests operations (6.6);

Ⓐ₃

- 15) the unintended car movement protection. Ⓐ₃

For the tests after an important modification or after an accident the documents and the necessary information shall be submitted to the responsible person or organisation.

Such person or organisation will decide on the advisability of carrying out tests on the modified or replaced components.

These tests will, at the most, be those required for the original components before the lift was put into service. Ⓐ₂

Annex F

(normative)

Safety components - Test procedures for verification of conformity

F.0 Introduction

F.0.1 General provisions

F.0.1.1 For the purposes of this standard it is assumed that the laboratory undertakes both the testing and the certification as an approved body. An approved body may be that of a manufacturer operating an approved full quality assurance system. In certain cases the test laboratory and the body approved for the issue of type examination certificates may be separate. In these cases the administrative procedures may differ from those described in this annex.

F.0.1.2 The application for type examination shall be made by the manufacturer of the component or his authorized representative and shall be addressed to an approved test laboratory.

NOTE At the request of the laboratory the necessary documents may be required in triplicate. The laboratory may likewise call for supplementary information, which might be necessary for the examination and tests.

F.0.1.3 The despatch of samples for examination shall be made by agreement between the laboratory and the applicant.

F.0.1.4 The applicant may attend the tests.

F.0.1.5 If the laboratory entrusted with the complete examination of one of the components requiring the supply of a type examination certificate has not available appropriate means for certain tests or examinations, it may under its responsibility have these made by other laboratories.

F.0.1.6 The precision of the instruments shall allow, unless particularly specified, measurements to be made within the following tolerances:

- a) ± 1 % masses, forces, distances, speeds;
- b) ± 2 % accelerations, retardations;
- c) ± 5 % voltages, currents;
- d) ± 5 °C temperatures;
- e) recording equipment shall be capable of detecting signals, which vary in time of 0,01 s.

F.0.2 Model form of type examination certificate

The examination certificate shall contain the following information.

MODEL TYPE-EXAMINATION CERTIFICATE

Name of the approved body

.....
.....

Type-examination certificate

.....
.....
.....

Type-examination N°

1 Category, type and make or trade name

2 Manufacturer's name and address

.....
.....

3 Name and address of certificate holder

.....
.....

4 Date of submission for type-examination

5 Certificate issued on the basis of the following requirement

.....
.....

6 Test laboratory

7 Date and number of laboratory report

8 Date of type-examination

9 The following documents, bearing the type-examination number shown above, are
annexed to this certificate

.....
.....

10 Any additional information

.....
.....

Place

(Date)

.....

(Signature)

F.1 Landing door locking devices

F.1.1 General provisions

F.1.1.1 Field of application

These procedures are applicable to locking devices for lift landing doors. It is understood that each component taking part in the locking of landing doors and in the checking of the locking forms part of the locking device.

F.1.1.2 Object and extent of the test

The locking device shall be submitted to a test procedure to verify that insofar as construction and operation are concerned, it conforms to the requirements imposed by this standard.

It shall be checked in particular that the mechanical and electrical components of the device are of adequate size and that in the course of time the device does not lose its effectiveness, particularly through wear.

If the locking device is needed to satisfy particular requirements (waterproof, dust proof or explosion proof construction) the applicant shall specify this and supplementary examinations and/or tests under appropriate criteria shall be made.

F.1.1.3 Documents to be submitted

The following documents shall be attached to the application for a type test:

F.1.1.3.1 Schematic arrangement drawing with description of operation

This drawing shall show clearly all the details relating to the operation and the safety of the locking device, including:

- a) the operation of the device in normal service showing the effective engagement of the locking elements and the point at which the electrical safety device operates;
- b) the operation of the device for mechanical checking of the locking position if this device exists;
- c) the control and operation of the emergency unlocking device;
- d) the type (A.C. and/or D.C.) and the rated voltage and rated current.

F.1.1.3.2 Assembly drawing with key

This drawing shall show all parts, which are important to the operation of the locking device, in particular those required to conform to requirements of this standard. A key shall indicate the list of principal parts, the type of materials used, and the characteristics of the fixing elements.

F.1.1.4 Test samples

One door locking device shall be submitted to the laboratory.

If the test is carried out on a prototype, it shall be repeated later on a production model.

If the test of the locking device is only possible when the device is mounted in the corresponding door (for example, sliding doors with several panels or hinged doors with several panels) the device shall be mounted on a complete door in working order. However, the door dimensions may be reduced by comparison with a production model, on condition that this does not falsify the test results.

F.1.2 Examination and tests

F.1.2.1 Examination of operation

This examination has the aim of verifying that the mechanical and electrical components of the locking device are operating correctly with respect to safety, and in conformity with the requirements of this standard, and that the device is in conformity with the particulars provided in the application.

In particular it shall be verified:

- a) that there is at least 7 mm engagement of the locking elements before the electric safety device operates. Examples are shown in **7.7.3.1.1**.
- b) that it is not possible from positions normally accessible to persons to operate the lift with a door open or unlocked, after one single action, not forming part of the normal operation (**7.7.5.1**).

F.1.2.2 Mechanical tests

These tests have the purpose of verifying the strength of the mechanical locking components and the electrical components.

The sample to the locking device in its normal operating position is controlled by the devices normally used to operate it.

The sample shall be lubricated in accordance with the requirements of the manufacturer of the locking device.

When there are several possible means of control and positions of operation, the endurance test shall be made in the arrangement which is regarded as the most unfavourable from the point of view of the forces on the components.

The number of complete cycles of operation and the travel of the locking components shall be registered by mechanical or electrical counters.

F.1.2.2.1 Endurance test

F.1.2.2.1.1 The locking device shall be submitted to 1 000 000 ($\pm 1\%$) complete cycles; one cycle comprises one forward and return movement over the full travel possible in both directions.

The driving of the device shall be smooth, without shocks, and at a rate of 60 ($\pm 10\%$) cycles per minute.

During the endurance test the electrical contact of the lock shall close a resistive circuit under the rated voltage and at a current value double that of the rated current.

F.1.2.2.1.2 If the locking device is provided with a mechanical checking device for the locking pin or the position of the locking element, this device shall be submitted to an endurance test of 100 000 ($\pm 1\%$) cycles.

The driving of the device shall be smooth, without shocks, and at a rate of 60 ($\pm 10\%$) cycles per minute.

F.1.2.2.2 Static test

For locking devices intended for hinged doors, a test shall be made consisting of the application over a total period of 300 s of a static force increasing progressively to a value of 3000 N.

This force shall be applied in the opening direction of the door and in a position corresponding as far as possible to that which may be applied when a user attempts to open the door. The force applied shall be 1 000 N in the case of a locking device intended for sliding doors.

F.1.2.2.3 Dynamic test

The locking device, in the locked position, shall be submitted to a shock test in the opening direction of the door.

The shock shall correspond to the impact of a rigid mass of 4 kg falling in free fall from a height of 0,50 m.

F.1.2.3 Criteria for the mechanical tests

After the endurance test (F.1.2.2.1), the static test (F.1.2.2.2) and the dynamic test (F.1.2.2.3), there shall not be any wear, deformation or breakage, which could adversely affect safety.

F.1.2.4 Electrical test

F.1.2.4.1 Endurance test of contacts

This test is included in the endurance test laid down in F.1.2.2.1.1.

F.1.2.4.2 Test of ability to break circuit

This test is to be carried out after the endurance test. It shall check that the ability to break a live circuit is sufficient. This test shall be made in accordance with the procedure in EN 60947-4-1 and EN 60947-5-1, the values of current and rated voltage serving as a basis for the tests shall be those indicated by the manufacturer of the device.

If there is nothing specified, the rated values shall be as follows:

- a) alternating current: 230 V, 2 A;
- b) direct current: 200 V, 2A.

In the absence of an indication to the contrary, the capacity to break circuit shall be examined for both A.C. and D.C. conditions.

The tests shall be carried out with the locking device in the working position. If several positions are possible, the test shall be made in the most unfavourable position.

The sample tested shall be provided with covers and electric wiring as used in normal service.

F.1.2.4.2.1 A.C. locking devices shall open and close an electric circuit under a voltage equal to 110 % of the rated voltage 50 times, at normal speed, and at intervals of 5 s to 10 s. The contact shall remain closed for at least 0,5 s.

The circuit shall comprise a choke and a resistance in series. Its power factor shall be $0,7 \pm 0,05$ and the test current shall be 11 times the rated current indicated by the manufacturer of the device.

F.1.2.4.2.2 D.C. locking devices shall open and close an electric circuit under a voltage equal to 110 % of the rated voltage 20 times, at normal speed, and at intervals of 5 s to 10 s. The contact shall remain closed for at least 0,5 s.

The circuit shall comprise a choke and a resistance in series having values such that the current reaches 95 % of the steady-state value of the test current in 300 ms.

The test current shall be 110 % of the rated current indicated by the manufacturer of the device.

F.1.2.4.2.3 The tests are considered as satisfactory if no tracking or arcing is produced and if no deterioration occurs which could adversely affect safety.

F.1.2.4.3 Test for resistance to leakage currents

This test shall be made in accordance with the procedure in CENELEC HD 214 S2 (IEC 112). The electrodes shall be connected to a source providing an A.C. voltage which is sinusoidal at 175 V, 50 Hz.

F.1.2.4.4 Examination of clearances and creepage distances

The clearances in air and creepage distances shall be in accordance with **14.1.2.2.3**.

F.1.2.4.5 Examination of the requirements appropriate to safety contacts and their accessibility (14.1.2.2)

This examination shall be made taking account of the mounting position and the layout of the locking device, as appropriate.

F.1.3 Test particular to certain types of locking devices

F.1.3.1 Locking device for horizontally or vertically sliding doors with several panels

The devices providing direct mechanical linkage between panels according to **7.7.6.1** or indirect mechanical linkage according to **7.7.6.2** are considered as forming part of the locking device.

These devices shall be submitted in a reasonable manner to the tests mentioned in **F.1.2**. The number of cycles per minute in such endurance tests shall be suited to the dimensions of the construction.

F.1.3.2 Flap type locking device for hinged door

F.1.3.2.1 If this device is provided with an electric safety device required to check the possible deformation of the flap and if, after the static test envisaged in **F.1.2.2.2** there are any doubts on the strength of the device, the load shall be increased progressively until the safety device begins to open. No component of the locking device or of the landing door shall be damaged or permanently deformed by the load applied.

F.1.3.2.2 If, after the static test, the dimensions and construction leave no doubt as to its strength, it is not necessary to proceed to the endurance test on the flap.

F.1.4 Type examination certificate

F.1.4.1 The certificate shall be drawn up in triplicate, i.e. two copies for the applicant, and one for the laboratory.

F.1.4.2 The certificate shall indicate the following:

- a) information according to **F.0.2**;
- b) type and application of locking device;
- c) the type (A.C. and/or D.C.) and values of rated voltage and rated current;
- d) in the case of flap type door locking devices: the necessary force to actuate the electric safety device for checking the elastic deformation of the flap.

F.2 Kept free

F.3 Safety gear

F.3.1 General provisions

The applicant shall state the range of use provided, i.e.:

- minimum and maximum masses;
- maximum rated speed and maximum tripping speed.

Detailed information shall be provided on the materials used, the type of guide rails and their surface condition (drawn, milled, ground).

The following documents shall be attached to the application:

- a) detailed and assembly drawings showing the construction, operation, materials used, the dimensions and tolerances on the construction components;
- b) in the case of progressive safety gear, also a load diagram relating to elastic parts.

F.3.2 Instantaneous safety gear

F.3.2.1 Test samples

Two gripping assemblies with wedges or clamps and two lengths of guide rail shall be submitted to the laboratory.

The arrangement and the fixing details for the samples shall be determined by the laboratory in accordance with the equipment that it uses.

If the same gripping assemblies can be used with different types of guide rail, a new test shall not be required if the thickness of the guide rails, the width of the grip needed for the safety gear and the surface state (drawn, milled, ground) are the same.

F.3.2.2 Test

F.3.2.2.1 Method of test

The test shall be made using a press or similar device, which moves without abrupt speed change. Measurements shall be made of:

- a) the distance travelled as a function of the force;
- b) the deformation of the safety gear block as a function of the force or as a function of the distance travelled.

F.3.2.2.2 Test procedure

The guide rail shall be moved through the safety gear.

Reference marks shall be traced onto the blocks in order to be able to measure their deformation.

The distance travelled shall be recorded as a function of the force.

After the test:

- a) the hardness of the block and the gripping element shall be compared with the original values quoted by the applicant. Other analyses may be carried out in special cases;
- b) if there is no fracture, deformations and other changes shall be examined (for example, cracks, deformations or wear of the gripping elements, appearance of the rubbed surfaces);
- c) if necessary, photographs shall be taken of the block, the gripping elements and the guide rail for evidence of deformations or fractures.

F.3.2.3 Documents

F.3.2.3.1 Two charts shall be drawn up as follows:

- a) the first shall show the distance travelled as a function of the force;
- b) the other shall show the deformation of the block. It shall be done in such a way that it can be related to the first chart.

F.3.2.3.2 The capacity of the safety gears shall be established by integration of the area of the distance-force chart.

The area of the chart to be taken into consideration shall be:

- a) the total area if there is no permanent deformation;
- b) if permanent deformation or rupture has occurred, either:
 - 1) the area up to the value at which the elastic limit has been reached, or
 - 2) the area up to the value corresponding to the maximum force.

F.3.2.4 Determination of the permissible mass

F.3.2.4.1 Energy absorbed by the safety gear

A distance of free fall, calculated with reference to the maximum tripping speed of the overspeed governor fixed in 9.9.1 shall be adopted.

The distance of free fall in metres shall be taken as:

$$h = \frac{v_1^2}{2 \cdot g_n} + 0,1 + 0,03$$

where:

v_1 = tripping speed of overspeed governor in metres per second;

g_n = standard acceleration of free fall in metres per square second;

0,10 m corresponds to the distance travelled during the response time;

0,03 m corresponds to the travel during take-up of clearance between the gripping elements and the guide rails.

The total energy the safety gear is capable of absorbing:

$$2 \cdot K = (P + Q)_1 \cdot g_n \cdot h$$

from which:

$$(P + Q)_1 = \frac{K}{g_n \cdot h}$$

where:

$(P + Q)_1$ = permissible mass in kilograms;

P = masses of the empty car and components supported by the car, i.e. part of the travelling cable, compensating ropes/chains (if any), etc. in kilograms;

Q = rated load in kilograms;

K, K_1, K_2 = energy absorbed by one safety gear block in joules (calculated in accordance with the chart).

F.3.2.4.2 Permissible mass

a) If the elastic limit has not been exceeded:

K is calculated by the integration of the area defined in **F.3.2.3.2 a)**;

2 is taken as the safety coefficient. The permissible mass in kilograms will be:

$$(P + Q)_1 = \frac{K}{g_n \cdot h}$$

b) if the elastic limit has been exceeded:

two calculations shall be made taking the one which is the more favourable to the applicant;

1) K_1 is calculated by the integration of the area defined in **F.3.2.3.2 b) 1)**;

2 is adopted as the safety coefficient and this will give the permissible mass in kilograms as:

$$(P + Q)_1 = \frac{K_1}{g_n \cdot h}$$

2) K_2 is calculated by the integration of the area defined in **F.3.2.3.2 b) 2)**;

3,5 is adopted as the safety coefficient, and this will give the permissible mass in kilograms as:

$$(P + Q)_1 = \frac{2 \cdot K_2}{3,5 \cdot g_n \cdot h}$$

F.3.2.5 Checking the deformation of the block and of the guide rail

If too great a deformation of the gripping elements in the block or the guide rail might cause difficulty in disengaging the safety gear, the permissible mass shall be reduced.

F.3.3 Progressive safety gear

F.3.3.1 Statement and test sample

F.3.3.1.1 The applicant shall state for what mass in kilograms and tripping speed in metres per second of the overspeed governor the test is to be carried out. If the safety gear has to be certified for various masses, he shall specify them and indicate in addition whether adjustment is by stages or continuous.

NOTE The applicant should choose the suspended mass in kilograms by dividing the anticipated braking force in newtons by 16 to aim at an average retardation of 0,6 g_n .

F.3.3.1.2 A complete safety gear assembly mounted on a cross-piece, with the dimensions fixed by the laboratory, together with the number of brake shoes necessary for all the tests shall be placed at the disposal of the laboratory. The number of sets of brake shoes necessary for all the tests shall be attached. For the type of guide rail used, the length specified by the laboratory shall also be supplied.

F.3.3.2 Test

F.3.3.2.1 Method of test

The test shall be carried out in free fall. Direct or indirect measurements shall be made of:

- a) the total height of the fall;
- b) the braking distance on the guide rails;
- c) the sliding distance of the overspeed governor rope, or that of the device used in its place;
- d) the total travel of the elements forming the spring.

Measurements a) and b) shall be recorded as a function of the time.

The following shall be determined:

- 1) the average braking force;
- 2) the greatest instantaneous braking force;
- 3) the smallest instantaneous braking force.

F.3.3.2.2 Test procedure

F.3.3.2.2.1 Safety gear certified for a single mass

The laboratory shall carry out four tests with the mass $(P + Q)_1$. Between each test the friction parts shall be allowed to return to their normal temperature.

During the tests several identical sets of friction parts may be used.

However, one set of parts shall be capable of:

- a) three tests, if the rated speed does not exceed 4 m/s;
- b) two tests, if the rated speed exceeds 4 m/s.

The height of free fall shall be calculated to correspond to the maximum tripping speed of the overspeed governor for which the safety gear can be used.

The engagements of the safety gear shall be achieved by a means allowing the tripping speed to be fixed precisely.

NOTE For example, a rope may be used, the slack of which should be carefully calculated, fixed to a sleeve which can slide with friction over a fixed smooth rope. The friction effort should be the same as the effort applied to the operating rope by the governor attached to this safety gear.

F.3.3.2.2 Safety gear certified for different masses

Adjustment in stages or continuous adjustment.

Two series of tests shall be carried out for:

- a) the maximum, and
- b) the minimum value applied for.

The applicant shall supply a formula, or a chart, showing the variation of the braking force as a function of a given parameter.

The laboratory shall verify by suitable means (in the absence of anything better, by a third series of tests for intermediary points) the validity of the supplied formula.

F.3.3.2.3 Determination of the braking force of the safety gear

F.3.3.2.3.1 Safety gear certified for a single mass

The braking force of which the safety gear is capable for the given adjustment and the type of guide rail is taken as equal to the average of the average braking forces determined during the tests. Each test shall be made on an unused section of guide rail.

A check shall be made that the average values determined during the tests lie within a range of $\pm 25\%$ in relation to the value of the braking force defined above.

NOTE Tests have shown that the coefficient of friction could be considerably reduced if several successive tests were carried out on the same area of a machined guide rail. This is attributed to a modification in the surface condition during successive safety gear operations.

It is accepted that, on an installation, an inadvertent operation of the safety gear would have every chance of occurring at an unused spot.

It is necessary to consider that if, by chance, this were not the case, the braking force would have a lower value until an unused portion of guide rail surface was reached. Hence, greater sliding than normal.

This is a further reason for not permitting any adjustment causing too small a retardation at the beginning.

F.3.3.2.3.2 Safety gear certified for different masses

Adjustment in stages or continuous adjustment.

The braking force of which the safety gear is capable shall be calculated as laid down in **F.3.3.2.3.1** for the maximum and minimum values applied for.

F.3.3.2.4 Checking after the tests

- a) the hardness of the block and the gripping elements shall be compared with the original values submitted by the applicant. Other analyses may be made in special cases;

- b) the deformations and modifications (for example, cracks, deformations or wear of the gripping elements, appearance of the rubbing surfaces) shall be checked;
- c) if necessary, the safety gear assembly, the gripping elements and the guide rails shall be photographed in order to reveal deformations or fractures.

F.3.3.3 Calculation of the permissible mass

F.3.3.3.1 Safety gear certified for a single mass

The permissible mass shall be calculated using the following formula:

$$(P + Q)_1 = \frac{\textit{Braking force}}{16}$$

where:

$(P + Q)_1$ = permissible mass in kilograms;

P = masses of the empty car and components supported by the car, i.e. part of the travelling cable, compensating ropes/chains (if any), etc. in kilograms;

Q = rated load in kilograms;

Braking force = the force in newtons determined in accordance with F.3.3.2.3.

F.3.3.3.2 Safety gear certified for different masses

F.3.3.3.2.1 Adjustment in stages

The permissible mass shall be calculated for each adjustment as laid down in F.3.3.3.1.

F.3.3.3.2.2 Continuous adjustment

The permissible mass shall be calculated as laid down in F.3.3.3.1 for the maximum and minimum values applied for and in accordance with the formula supplied for the intermediate adjustments.

F.3.3.4 Possible modification to the adjustments

If, during the tests, the values found differ by more than 20 % from those expected by the applicant, other tests may be made with his agreement, after modification of the adjustments if necessary.

NOTE If the braking force is clearly greater than that allowed for by the applicant, the mass used during the test would be clearly smaller than that which one would be led to authorize by calculation F.3.3.3.1 and consequently the test would not allow the conclusion that the safety gear is able to dissipate the required energy with the mass resulting from the calculation.

F.3.4 Comments

a)

- 1) When it is applied to a given lift, the mass stated by the installer shall not exceed the permissible mass for the safety gear (for instantaneous safety gear or instantaneous safety gear with buffered effect), and the adjustment considered;

- 2) in the case of progressive safety gear, the mass stated may differ from the permissible mass defined in **F.3.3.3** by $\pm 7,5\%$. It is accepted in these conditions that the requirements of **9.8.4** are met on the installation, notwithstanding the usual tolerances on the thickness of the guide rails, the surface conditions, etc.;
- b) to evaluate the validity of welded parts, reference shall be made to standards on this subject;
- c) a check shall be made that the possible travel of the gripping elements is sufficient under the most unfavourable conditions (accumulation of manufacturing tolerances);
- d) the friction parts shall be suitably retained so that it can be certain that they will be in place at the moment of operation;
- e) in the case of a progressive type safety gear, it shall be checked that the travel of the components forming the spring is sufficient.

F.3.5 Type examination certificate

F.3.5.1 The certificate shall be drawn up in triplicate, i.e. two copies for the applicant, and one for the laboratory.

F.3.5.2 The certificate shall indicate the following:

- a) information according to **F.0.2**;
- b) type and application of safety gear;
- c) the limits of the permissible masses (see **F.3.4 a**);
- d) the tripping speed of the overspeed governor;
- e) the type of guide rail;
- f) the permissible thickness of the guide rail blade;
- g) the minimum width of the gripping areas;

and, for progressive safety gear only:

- h) the surface condition of the guide rails (drawn, milled, ground);
- i) the state of lubrication of the guide rails. If they are lubricated, the category and specification of the lubricant.

F.4 Overspeed governors

F.4.1 General provisions

The applicant shall indicate the following to the laboratory:

- a) the type (or the types) of safety gear which will be operated by the governor;
- b) the maximum and minimum rated speeds of lifts for which the governor may be used;
- c) the anticipated value of the tensile force produced in the rope by the overspeed governor when tripped.

The following documents are to be attached to the application:

detailed and assembly drawings showing the construction, operation, materials used, the dimensions and tolerances on the construction components.

F.4.2 Check on the characteristics of the governor

F.4.2.1 Test samples

The following shall be submitted to the laboratory:

- a) one overspeed governor;
- b) one rope of the type used for the overspeed governor and in the normal condition in which it should be installed. The length to be supplied is fixed by the laboratory;
- c) a tensioning pulley assembly of the type used for the overspeed governor.

F.4.2.2 Test

F.4.2.2.1 Method of test

The following shall be checked:

- a) the speed of tripping;
- b) the operation of the electric safety device called for in **9.9.11.1** causing the machine to stop, if this device is mounted on the overspeed governor;
- c) the operation of the electric safety device called for in **9.9.11.2** preventing all movement of the lift when the overspeed governor is tripped;
- d) the tensile force produced in the rope by the overspeed governor when tripped.

F.4.2.2.2 Test procedure

At least 20 tests shall be made in the speed range for tripping corresponding to the range of rated speeds of the lift, indicated in **F.4.1 b)**.

NOTE 1 The tests may be made by the laboratory in the component manufacturers works.

NOTE 2 The majority of tests should be made at the extreme values of the range.

NOTE 3 The acceleration to reach the tripping speed of the overspeed governor should be as low as possible, in order to eliminate the effects of inertia.

F.4.2.2.3 Interpretation of the test results

F.4.2.2.3.1 In the course of 20 tests the tripping speeds shall lie within the limits called for in **9.9.1**.

NOTE If the limits laid down are exceeded, an adjustment may be made by the manufacturer of the component and 20 new tests carried out.

F.4.2.2.3.2 In the course of the 20 tests the operation of the devices for which the test is required in **F.4.2.2.1 b)** and **c)** shall occur within the limits laid down in **9.9.11.1** and **9.9.11.2**.

F.4.2.2.3.3 The tensile force in the rope produced by the overspeed governor when tripped shall be at least 300 N or any higher value which is specified by the applicant.

NOTE 1 Unless otherwise requested by the manufacturer of the device and specified in the test report, the arc of engagement should be 180°.

NOTE 2 In the case of a device, which operates by gripping the rope it should be checked that there is no permanent deformation of the rope.

F.4.3 Type examination certificate

F.4.3.1 The certificate shall be drawn up in triplicate, i.e. two copies for the applicant, and one for the laboratory.

F.4.3.2 The certificate shall indicate the following:

- a) information according to **F.0.2**;
- b) type and application of overspeed governor;
- c) the maximum and minimum rated speeds of the lift for which the overspeed governor may be used;
- d) the diameter of the rope to be used and its construction;
- e) in the case of an overspeed governor with traction pulley, the minimum tensioning force;
- f) the tensile force in the rope which can be produced by the overspeed governor when tripped.

F.5 Buffers

F.5.1 General provisions

The applicant shall state the range of use provided, i.e. maximum impact speed, minimum and maximum masses. The following are to be attached to the application:

- a) detailed and assembly drawings showing the construction, operation, materials used, the dimensions and tolerances on the construction components.

In the case of hydraulic buffers, the graduation (openings for the passage of the liquid), in particular, shall be shown as a function of the stroke of the buffer;

- b) specifications for the liquid used.

F.5.2 Samples to be submitted

The following shall be submitted to the laboratory:

- a) one buffer;
- b) in the case of hydraulic buffers, the necessary liquid sent separately.

F.5.3 Test

F.5.3.1 Energy accumulation type buffers with buffered return movement

F.5.3.1.1 Test procedure

F.5.3.1.1.1 The mass necessary to compress the spring completely shall be determined, for example, with the aid of weights loaded on to the buffer.

The buffer may only be used:

a) for rated speeds $v \leq \sqrt{\frac{F_L}{0,135}}$ (see **10.4.1.1.1**), but $v \leq 1,6$ m/s (see **10.3.4**)

where:

F_L = total compression of the spring in metres;

b) for masses between:

1) maximum $\frac{C_r}{2,5}$

2) minimum $\frac{C_r}{4}$

where:

C_r = mass needed to compress the spring completely in kilograms.

F.5.3.1.1.2 The buffer shall be tested with the aid of weights corresponding to the maximum and minimum masses falling in free fall from a height above the buffer equal to $0,5 \times F_L = 0,067 \times v^2$.

The speed shall be recorded from the moment of impact on the buffer and throughout the test.

At no time shall the rising speed of the weights (during return) exceed 1 m/s.

F.5.3.1.2 Equipment to be used

The equipment shall satisfy the following conditions:

F.5.3.1.2.1 Weights falling in free fall

The weights shall correspond with the tolerances of **F.0.1.6** to the minimum and maximum masses. They shall be guided vertically with the minimum of friction possible.

F.5.3.1.2.2 Recording equipment

The recording equipment shall be capable of detecting signals with the tolerances of **F.0.1.6**.

F.5.3.1.2.3 Measurement of speed

The speed shall be recorded with the tolerances of **F.0.1.6**.

F.5.3.1.3 Ambient temperature

The ambient temperature shall lie between + 15 °C and + 25 °C.

F.5.3.1.4 Mounting of the buffer

The buffer shall be placed and fixed in the same manner as in normal service.

F.5.3.1.5 Checking of the condition of the buffer after tests

After two tests with the maximum mass, no part of the buffer shall show any permanent deformation or be damaged so that its condition shall guarantee normal operation.

F.5.3.2 Energy dissipation buffers

F.5.3.2.1 Test procedure

The buffer shall be tested with the aid of weights, corresponding to the minimum and maximum masses, falling in free fall to reach at the moment of impact the maximum speed called for.

The speed shall be recorded at least from the moment of impact of the weights. The acceleration and the retardation shall be determined as a function of time throughout the movement of the weights.

NOTE This procedure relates to hydraulic buffers; for other types proceed by analogy.

F.5.3.2.2 Equipment to be used

The equipment shall satisfy the following conditions:

F.5.3.2.2.1 Weights falling in free fall

The weights shall correspond with the tolerances of **F.0.1.6**, to the maximum and minimum masses. They shall be guided vertically with the minimum of friction possible.

F.5.3.2.2.2 Recording equipment

The recording equipment shall be able to detect signals with the tolerances of **F.0.1.6**. The measuring chain, including the recording device for the recording of measured values as a function of time, shall be designed with a system frequency of at least 1000 Hz.

F.5.3.2.2.3 Measurement of speed

The speed shall be recorded at least from the moment of impact of the weights on the buffer or throughout the travel of the weights with the tolerances of **F.0.1.6**.

F.5.3.2.2.4 Measurement of the retardation

If there is a device for measuring retardation (see **F.5.3.2.1**), it shall be placed as near as possible to the axis of the buffer, and shall be capable of measurement with the tolerances of **F.0.1.6**.

F.5.3.2.2.5 Measurement of time

Time pulses of a duration of 0,01 s shall be recorded and measured with the tolerances of **F.0.1.6**.

F.5.3.2.3 Ambient temperature

The ambient temperature shall lie between + 15 °C and + 25 °C.

The temperature of the liquid shall be measured with the tolerances of **F.0.1.6**.

F.5.3.2.4 Mounting of the buffer

The buffer shall be placed and fixed in the same manner as in normal service.

F.5.3.2.5 Filling of the buffer

The buffer shall be filled up to the mark indicated following the instructions of the component manufacturer.

F.5.3.2.6 Checks

F.5.3.2.6.1 Checking of retardation

The height of free fall of the weights shall be chosen in such a way that the speed at the moment of impact corresponds to the maximum impact speed stipulated in the application.

The retardation shall conform to the requirements of **10.4.3.3** of this standard.

A first test shall be made with maximum mass with a check on the retardation.

A second test shall be made with minimum mass with a check on the retardation.

F.5.3.2.6.2 Checking of the return of the buffer to the normal position

After each test the buffer shall be held in the completely compressed position for 5 min. The buffer shall then be freed to permit its return to its normal extended position.

When the buffer is of a type with spring or gravity return, the position of complete return shall be reached in a maximum period of 120 s.

Before proceeding to another retardation test there shall be a delay of 30 min to permit the liquid to return to the tank and for bubbles of air to escape.

F.5.3.2.6.3 Checking of the liquid losses

The level of liquid shall be checked after having made the two retardation tests required in F.5.3.2.6.1, and after an interval of 30 min the level of liquid shall again be sufficient to ensure normal operation of the buffer.

F.5.3.2.6.4 Checking of the condition of the buffer after tests

After the two retardation tests required in **F.5.3.2.6.1** no part of the buffer shall show any permanent deformation or be damaged so that its condition shall guarantee normal operation.

F.5.3.2.7 Procedure in the case of tests failing the requirements

When the test results are not satisfactory with the minimum and maximum masses appearing in the application, the laboratory may, in agreement with the applicant, establish the acceptable limits.

F.5.3.3 Buffers with non linear characteristics

F.5.3.3.1 Test procedure

F.5.3.3.1.1 The buffer shall be tested with the aid of masses falling in free fall from a height to reach at the moment of impact the maximum speed called for, but not less than 0,8 m/s.

The falling distance, the speed, the acceleration and retardation shall be recorded from the moment of release of the weight to the complete standstill.

F.5.3.3.1.2 The masses shall correspond to the maximum and minimum masses called for. They shall be guided vertically with a minimum of friction possible, so that at the moment of impact at least 0,9 g_n are reached.

F.5.3.3.2 Equipment to be used

The equipment shall correspond to **F.5.3.2.2.2**, **F.5.3.2.2.3** and **F.5.3.2.2.4**.

F.5.3.3.3 Ambient temperature

The ambient temperature shall lie between + 15 °C and + 25 °C.

F.5.3.3.4 Mounting of the buffer

The buffer shall be placed and fixed in the same manner as in normal service.

F.5.3.3.5 Number of tests

Three tests shall be made with:

- a) the maximum mass;
- b) the minimum mass called for.

The time delay between two consecutive tests shall lie between 5 min and 30 min.

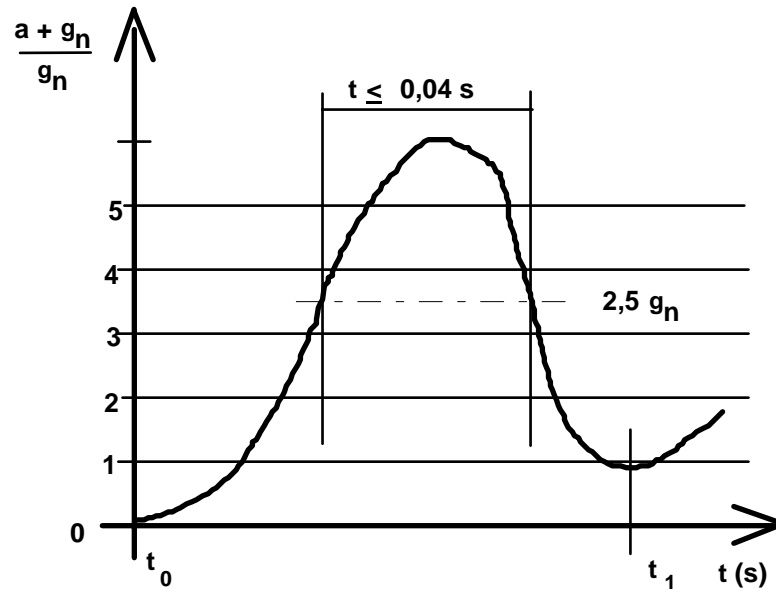
With the three tests with maximum mass the value of reference of the buffer force at a stroke equal to 50 % of the real height of the buffer given by the applicant shall not vary by more than 5 %. With the tests with minimum mass this shall be observed in analogy.

F.5.3.3.6 Checks

F.5.3.3.6.1 Checking of retardation

The retardation "a" shall conform to the following requirements:

- a) the average retardation in case of free fall with rated load in the car from a speed equal to 115 % of the rated speed shall not exceed 1 g_n . The average retardation will be evaluated taking into account the time between the first two absolute minima of the retardation (see **figure F.1**);
- b) peaks of retardation with more than 2,5 g_n shall not be longer than 0,04 s.



t_0 = moment of hitting the buffer (first absolute minimum);
 t_1 = second absolute minimum.

Figure F.1 — Retardation graph

F.5.3.3.6.2 Checking of the condition of the buffer after tests

After the tests with the maximum mass no part of the buffer shall show any permanent deformation or be damaged so that its condition shall guarantee normal operation.

F.5.3.3.7 Procedure in the case of tests failing the requirements

When the test results are not satisfactory with the minimum and maximum masses appearing in the application, the laboratory may, in agreement with the applicant, establish the acceptable limits.

F.5.4 Type examination certificate

F.5.4.1 The certificate shall be drawn up in triplicate, i.e. two copies for the applicant, and one for the laboratory.

F.5.4.2 The certificate shall indicate the following:

- a) information according to **F.0.2**;
- b) type and application of buffer;
- c) the maximum impact speed;
- d) the maximum mass;
- e) the minimum mass;
- f) the specification of the liquid in the case of hydraulic buffers;
- g) environmental conditions for use (temperature, humidity, pollution, etc.) in case of buffers with non-linear characteristics.

F.6 A1 Safety circuits containing electronic components and/or programmable electronic systems (PESSRAL) A1

For safety circuits containing electronic components, laboratory tests are necessary because practical checks on site, by inspectors, are impossible.

In the following, mention is made to printed circuit board. If a safety circuit is not assembled in such a manner, then the equivalent assembly shall be assumed.

F.6.1 General provisions

A1

F.6.1.1 Safety circuits containing electronic components A1

The applicant shall indicate to the laboratory:

- a) the identification on the board;
- b) working conditions;
- c) listing of used components;
- d) layout of the printed circuit board;
- e) layout of the hybrids and marks of the tracks used in safety circuits;
- f) function description;
- g) electrical data inclusive wiring diagram, if applicable, including input and output definitions of the board.

A1

F.6.1.2 Safety circuits based on programmable electronic systems

In addition to F.6.1.1 the following documentation shall be provided:

- a) documents and descriptions relating to the measures listed in Table 8;
- b) general description of the software used (e.g. programming rules, language, compiler, modules);
- c) function description including software architecture and hardware/software interaction;
- d) description of blocks, modules, data, variables and interfaces;
- e) software listings. A1

F.6.2 Test samples

There shall be submitted to the laboratory:

- a) one printed circuit board;
- b) one printed circuit board bare (without components).

F.6.3 Tests

F.6.3.1 Mechanical tests

During the tests, the tested object (printed circuit) shall be kept under operation. During and after the tests, no unsafe operation and condition shall appear within the safety circuit.

F.6.3.1.1 Vibration

Transmitter elements of safety circuits shall withstand the requirements of:

a) EN 60068-2-6, Endurance by sweeping: Table C.2:

20 sweep cycles in each axis, at amplitude 0,35 mm or 5 g_n , and in the frequency range 10-55 Hz;

and also to:

b) EN 60068-2-27, Acceleration and duration of pulse: Table 1:

the combination of:

- peak acceleration 294 m/s² or 30 g_n ;
- corresponding duration of pulse 11 ms, and
- corresponding velocity change 2,1 m/s half sine.

NOTE Where shock absorbers for transmitter elements are fitted, they are considered as part of the transmitter elements.

After tests, clearances and creepage distances shall not become smaller than the minimum accepted.

F.6.3.1.2 Bumping (EN 60068-2-29)

Bumping tests are to simulate the cases when printed circuits fall, introducing the risk of rupture of components and unsafe situation.

Tests are divided into:

- a) partial shockings;
- b) continuous shockings.

The tests object must satisfy the following minimum requirements:

F.6.3.1.2.1 Partial shocking

- 1) Shocking shapes: half-sinus;
- 2) amplitude of acceleration: 15 g;
- 3) duration of shock: 11 ms.

F.6.3.1.2.2 Continuous shocking

- 1) Amplitude of acceleration: 10 g;

- 2) duration of shock: 16 ms;
- 3)
 - a) number of shocks: 1000 +/- 10;
 - b) shock frequency: 2/s.

F.6.3.2 Temperature tests (HD 323.2.14 S2)

Operating ambient limits: 0 °C, + 65 °C (the ambient temperature is of the safety device).

Test conditions:

- the printed circuit board must be in operational position;
- the printed circuit board must be supplied with normally rated voltage;
- the safety device must operate during, and after the test. If the printed circuits board includes components other than safety circuits, they also must operate during the test (their failure is not considered);
- tests will be carried out for minimum and maximum temperature (0 °C, + 65 °C). Tests will last a minimum of four hours;
- if the printed circuit board is designed to operate within wider temperature limits, it must be tested for these values.

A1

F.6.3.3 Functional and safety test of PESSRAL

In addition to the verification of the measures defined in the Tables 6 to 11, the following shall be validated:

- a) software design and coding: inspect all code statements using methods such as formal design reviews, FAGAN, test cases etc.;
- b) software and hardware inspection: verify all measures of Tables 6 and 7 and the measures chosen e.g. from Table P.1 by using for example fault insertion testing (based on EN 61508-2 and EN 61508-7). **A1**

F.6.4 Type examination certificate

F.6.4.1 The certificate shall be drawn up in triplicate, i.e. two copies for the applicant and one copy for the laboratory.

F.6.4.2 The certificate shall indicate:

- a) information according to **F.0.2**;
- b) type and application in the circuitry;
- c) design for pollution degree according to IEC 60664-1;
- d) operating voltages;
- e) distances between the safety circuits and the rest of the control circuits on the board.

NOTE Other tests like humidity test, climatic shock test, etc. are not subject for tests because of the normal environmental situation where lifts are operating.

F.7 Ascending car overspeed protection means

This specification applies to ascending car overspeed protection means which are not using safety gears, overspeed governors, or other devices which are subject to verifications according to **F.3**, **F.4** and **F.6**.

F.7.1 General provisions

The applicant shall state the range of use provided:

- a) minimum and maximum masses;
- b) maximum rated speed;
- c) use in installations with compensating ropes.

The following documents are to be attached to the applications:

- a) detailed and assembly drawings showing the construction, operation, materials used, the dimensions and tolerances on the construction components;
- b) if necessary, also a load diagram relating to elastic parts;
- c) detailed information on the materials used, the type of part on which the ascending car overspeed protection means acts, and its surface condition (drawn, milled, ground, etc.).

F.7.2 Statement and test sample

F.7.2.1 The applicant shall state for what mass (in kilograms) and tripping speed (in meters per second) the test is to be carried out. If the device has to be certified for various masses, the applicant shall specify them and indicate in addition whether adjustment is by stages or continuous.

F.7.2.2 As defined between applicant and the laboratory:

- either a complete assembly consisting of both elements, braking device and speed monitoring device, or
- only that device which was not subject to verifications according to **F.3**, **F.4** or **F.6**, shall be placed at the disposal of the laboratory.

The number of sets of gripping elements necessary for all the tests shall be attached. The type of part on which the device acts, shall also be supplied with the dimensions specified by the laboratory.

F.7.3 Test

F.7.3.1 Method of test

The method of test shall be defined between applicant and test laboratory, depending on the device and its functioning to achieve a realistic function of the system. Measurements shall be made of:

- a) the acceleration and speed;
- b) the braking distance;
- c) the retardation.

Measurements shall be recorded as a function of the time.

F.7.3.2 Test procedure

At least 20 tests shall be made with the speed monitoring element in the speed range for tripping corresponding to the range of rated speeds of the lift indicated in **F.7.1 b)**.

NOTE The acceleration of the mass to reach the tripping speed should be as low as possible, in order to eliminate the effects of inertia.

F.7.3.2.1 Device certified for a single mass

The laboratory shall carry out four tests with the system mass representing an empty car.

Between each test the friction parts shall be allowed to return to their normal temperature.

During the tests several identical sets of friction parts may be used.

However, one set of parts shall be capable of:

- a) three tests, if the rated speed does not exceed 4 m/s;
- b) two tests, if the rated speed exceeds 4 m/s.

The test shall be made at the maximum tripping speed for which the device may be used.

F.7.3.2.2 Device certified for different masses

Adjustment in stages or continuous adjustment.

A series of tests shall be carried out for the maximum value applied for and a series for the minimum value. The applicant shall supply a formula, or a chart, showing the variation of the braking force as a function of a given parameter.

The laboratory shall verify by suitable means (in the absence of anything better, by a third series of tests for intermediary points) the validity of the supplied formula.

F.7.3.2.3 Overspeed monitoring device

F.7.3.2.3.1 Test procedure

At least 20 tests shall be made in the speed range for tripping without applying the braking device.

The majority of tests shall be made at the extreme values of the range.

F.7.3.2.3.2 Interpretation of the test results

In the course of 20 tests the tripping speeds shall lie within the limits called for in **9.10.1**.

F.7.3.3 Checking after the tests

After the test:

- a) the hardness of the gripping element shall be compared with the original values quoted by the applicant. Other analyses may be carried out in special cases;
- b) if there is no fracture, deformations and other changes shall be examined (for example, cracks, deformations or wear of the gripping elements, appearance of the rubbing surfaces);

- c) if necessary, photographs shall be taken of the gripping elements and the parts on which the device acts for evidence of deformations or fractures;
- d) it shall be checked that the retardation with the minimum mass has not exceeded $1 g_n$.

F.7.4 Possible modification to the adjustments

If, during the tests, the values found differ by more than 20 % from those expected by the applicant, other tests may be made with his agreement, after modification of the adjustments if necessary.

F.7.5 Test report

In order to achieve reproducibility the type examination shall be recorded in all details, such as:

- the method of test defined between applicant and laboratory;
- the description of the testing arrangement;
- location of the device to be tested in the testing arrangement;
- number of tests carried out;
- record of measured values;
- report of observations during the test;
- evaluation of the test results to show compliance with the requirements.

F.7.6 Type examination certificate

F.7.6.1 The certificate shall be drawn up in triplicate, i.e. two copies for the applicant and one copy for the laboratory.

F.7.6.2 The certificate shall indicate:

- a) information according to **F.0.2**;
- b) type and application of overspeed protection means;
- c) the limits of the permissible masses;
- d) the tripping speed range of the overspeed monitoring device;
- e) the type of parts on which the braking elements act.



F.8 Unintended car movement protection means

F.8.1 General provisions

The applicant shall state the key parameters for use of the system consisting of an unintended car movement detector, control circuits and stopping element(s) that form part of the type examination:

- minimum and maximum masses;

- minimum and maximum force or torque, if applicable;
- individual response times of detector, control circuit and stopping element(s);
- highest speed anticipated before deceleration occurs (see Note 1);
- distance from the floor at which the detector device will be installed;
- test speed(s) (see Note 2);
- limits of temperature and humidity of the design and any other relevant information agreed between the applicant and test laboratory.

NOTE 1 As an example and indication, where the natural acceleration is $1,5 \text{ m/s}^2$ and without any torque contribution from the motor, the maximum speed attainable would be in the magnitude of 2 m/s. This is based on the speed attained at start of deceleration e.g. being the result of a “natural” acceleration of $1,5 \text{ m/s}^2$ through the response times of the unintended car movement protection device, control circuit and stopping elements.

NOTE 2 Test speed(s): a speed stated by the manufacturer, used by the test laboratory to establish a distance moved by the lift (verification distance) so that the unintended movement system is verified for correct operation during final inspection at site. This could be the inspection speed or any other speed determined by the manufacturer and agreed by the laboratory.

Distance the car is permitted to move during unintended movement as defined in clause 9.11.5 is shown in Figure F.2.

The following documents are to be attached to the applications:

- a) detailed and assembly drawings showing the construction, operation, the dimensions and tolerances of the components;
- b) if necessary, also a load diagram relating to elastic parts;
- c) detailed information of the materials used, the type of part on which the means acts, and its surface condition, if relevant (drawn, milled, ground, etc.).

F.8.2 Statement and test sample

F.8.2.1 The applicant shall state for what duty the means is intended.

F.8.2.2 Test samples shall be supplied as agreed between applicant and the laboratory consisting of, as appropriate, a complete assembly of unintended car movement detection device, control circuit (actuator), stopping elements and any monitoring device(s) if applicable.

The number of sets of gripping elements necessary for all the tests shall be attached.

The type of part on which the device acts, shall also be supplied with the dimensions specified by the laboratory.

F.8.3 Test

F.8.3.1 Method of Test

The method of test shall be defined between applicant and test laboratory, depending on the device and its function to achieve a realistic operation of the system.

Measurements shall be made of:

- the stopping distance;
- the average retardation;
- the response time of the control circuits (see Figure F.2, item 1);
- the response time of the braking element (see Figure F.2, item 2);
- the total distance travelled (sum of acceleration and stopping distances).

Test shall also include:

- operation of the unintended car movement detection device and
- any automatic monitoring system, if applicable.

F.8.3.2 Test procedure

20 tests shall be made on the stopping element with:

- no result outside the specification,
- each result within $\pm 20\%$ of the average value.

Average value to be stated on the certificate.

F.8.3.2.1 Device certified for a single mass or torque

The laboratory shall carry out ten tests with the system mass or torque representing an empty car in up direction and ten tests with the system mass or torque representing a car carrying the rated load in down direction.

Between each test the friction parts shall be allowed to return to their normal temperature.

During the tests several identical sets of friction parts may be used. However, one set of parts shall be capable of 5 tests minimum.

F.8.3.2.2 Device certified for different masses or torques

A series of tests shall be carried out for the maximum value applied for and a series for the minimum value. The applicant shall supply a formula or a chart, showing the calculated variation of the braking force or torque as a function of a given adjustment. The results being expressed in distance travelled.

The laboratory shall verify the validity of the formula or chart.

F.8.3.2.3 Test procedure for unintended movement detection means

10 tests shall be made to verify the operation of the device.

F.8.3.2.4 Test procedure for self-monitoring

10 tests shall be made to verify the operation of the device.

F.8.3.3 Checks after the test

After the test:

- a) the mechanical characteristics of the stopping element(s) shall be compared with the original values quoted by the applicant. Other analyses may be carried out in special cases;
- b) it shall be checked that there are no fractures or deformations or any other changes (for example, cracks, deformations or wear of the gripping elements, appearance of the rubbing surfaces);
- c) if necessary, photographs shall be taken of the gripping elements and the parts on which the device acts for evidence of deformations or fractures.

F.8.4 Possible modification to the adjustments

If, during the tests, the values found differ by more than 20% from those expected by the applicant, another series of tests may be made with his agreement, after modification of the adjustments if necessary.

F.8.5 Test report

In order to achieve reproducibility, the type examination shall be recorded in all details, such as:

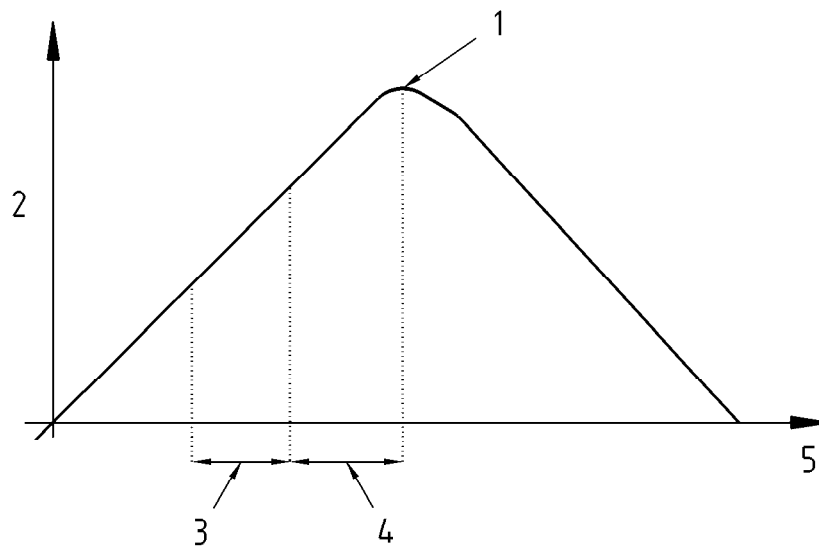
- the method of test defined between applicant and laboratory;
- the description of the testing arrangement;
- location of the device to be used when installed in the testing arrangement;
- number of tests carried out;
- record of all measured values;
- report of observations during the test;
- evaluation of the test results to show compliance with the requirements.

F.8.6 Type examination certificate

F.8.6.1 The certificate shall be drawn up in triplicate, i.e. two copies for the applicant and one copy for the laboratory.

F.8.6.2 The certificate shall indicate:

- a) information according to F.0.2
- b) type and application of the unintended car movement protection system;
- c) the limits of the key parameters (as agreed between laboratory and manufacturer);
- d) the test-speed with relevant parameters for Final Inspection use;
- e) the type of parts on which the stopping elements act;
- f) the combination of “detecting” device and “stopping” element of the means.



Key

- 1 Point at which braking elements start to cause a reduction in speed
- 2 Speed
- 3 Response time of Uncontrolled Car Movement Detection and any control circuits
- 4 Response time of braking elements
- 5 Time

Figure F.2 — Response time 

Annex G (informative)

Proof of guide rails

G.1 General ⁹⁾

G.1.1 In order to fulfil the requirements of **10.1.1** guide rail calculations based on the following are accepted where no specific load distribution is intended.

G.1.1.1 The rated load - Q - is considered to be unevenly distributed over the car area, see **G.2.2**.

G.1.1.2 It is assumed that the safety devices operate simultaneously on the guide rails and that the braking force is equally distributed.

G.2 Loads and forces

G.2.1 The acting point of the masses of the empty car and components supported by the car such as ram, part of travelling cable, compensating ropes/chains (if any) - P - shall be the centre of gravity of the mass of the car.

G.2.2 In the load cases "normal use" and "safety device operation" the rated load - Q - according to 8.2 shall be evenly distributed over those three quarters of the car area being in the most unfavourable position as depicted in the examples given in **G.7**.

However, if different load distribution conditions are intended after negotiations (**0.2.5**), the calculations shall be made on the basis of these conditions.

G.2.3 The buckling force - F_k - of the car shall be evaluated by using the formula:

where:

k_1 = impact factor according to **table G.2**;

g_n = standard acceleration of free fall (9,81 m/s²);

P = masses of the empty car and components supported by the car, i.e. part of the travelling cable, compensating ropes/chains (if any), etc. in kilograms;

Q = rated load in kilograms;

n = number of guide rails.

9) This annex is valid for both standards EN 81 part 1 and part 2.

G.2.4 The buckling force of the counterweight or balancing weight with safety gear - F_c - shall be evaluated by using the formula:

$$F_c = \frac{k_1 \cdot g_n \cdot (P + q \cdot Q)}{n} \quad \text{or} \quad F_c = \frac{k_1 \cdot g_n \cdot q \cdot P}{n}$$

where:

k_1 = impact factor according to table **G.2**;

g_n = standard acceleration of free fall (9,81 m/s²)

P = masses of the empty car and components supported by the car, i.e. part of the travelling cable, compensating ropes/chains (if any), etc. in kilograms;

Q = rated load in kilograms;

q = balance factor indicating the amount of counterbalance of the rated load by the counterweight, or amount of counterbalance of the mass of the car by the balancing weight;

n = number of guide rails.

G.2.5 Whilst loading or unloading a car, a force on the sill - F_s - has to be assumed to act centrally on the sill of the car entrance. The amount of the force on the sill shall be:

$F_s = 0,4 \cdot g_n \cdot Q$ for lifts with rated loads less than 2500 kg in private premises, office buildings, hotels, hospitals etc.;

$F_s = 0,6 \cdot g_n \cdot Q$ for lifts with rated loads of 2500 kg or more;

$F_s = 0,85 \cdot g_n \cdot Q$ ¹⁰⁾ for lifts with rated loads of 2500 kg or more in case of forklift truck loading.

Applying the force on the sill the car shall be regarded as empty. At cars with more than one entrance the force on the sill needs to be applied at the most unfavourable entrance only.

G.2.6 The guiding forces of a counterweight or balancing weight - G - shall be evaluated taking into account:

- the acting point of the mass;
- the suspension, and
- the forces due to compensating ropes/chains (if any), tensioned or not.

On a counterweight or balancing weight, centrally guided and suspended, an eccentricity of the acting point of the mass from the centre of gravity of the horizontal cross area of the counterweight or balancing weight of at least 5 % of the width and 10 % of the depth shall be taken into consideration.

G.2.7 Forces per guide rail due to auxiliary equipment fixed to the guide rail - M - shall be considered, except for overspeed governors and their associated parts, switches or positioning equipment.

10) 0,85 is based on the assumption of 0,6.Q and half of the weight of the forklift truck, which - due to experience (ANSI class C 2) is not bigger than half the rated load (0,6 + 0,5 · 0,5) = 0,85.

G.2.8 Windloads - *WL* - shall be considered with lifts outside a building with incomplete well enclosure, and be determined by negotiation with the building designer **(0.2.5)**.

G.3 Load cases

G.3.1 The loads and forces and the load cases to be taken into consideration are shown in **table G.1**.

Table G.1 — Loads and forces to be taken into consideration in the different load cases

Load cases	Loads and forces	<i>P</i>	<i>Q</i>	<i>G</i>	<i>F_S</i>	<i>F_k</i> or <i>F_c</i>	<i>M</i>	<i>WL</i>
Normal use	running	+	+	+	-	-	+	+
	loading + unloading	+	-	-	+	-	+	+
Safety device operation	safety devices or similar	+	+	+	-	+	+	-
	rupture valve	+	+	-	-	-	+	-

G.3.2 In the documents intended for the first examination and test, it is sufficient to submit only the calculation of the most unfavourable load case.

G.4 Impact factors

G.4.1 Safety device operation

The impact factor due to safety device operation k_1 depends on the type of safety device.

G.4.2 Car

In the load case “normal use, running”, the vertical moving masses of the car ($P + Q$) shall be multiplied by the impact factor k_2 to take into consideration hard braking due to electric safety device actuation or by an accidental interruption of the power supply.

G.4.3 Counterweight or balancing weight

The forces applied to the guide rails of the counterweight or balancing weight as specified in **G.2.6** shall be multiplied with the impact factor k_3 to take into account the possible counterweight or balancing weight bounce when the car is stopped with a retardation higher than $1 g_n$.

G.4.4 Values of impact factors

The values of the impact factors are given in **table G.2**.

Table G.2 — Impact factors

Impact at	Impact factor	Value
Operation of instantaneous safety gear or clamping device, neither of the captive roller type	k_1	5
Operation of instantaneous safety gear or clamping device, both of the captive roller type or pawl device with energy accumulation type buffer or energy accumulation type buffer		3
Operation of progressive safety gear or progressive clamping device or pawl device with energy dissipation type buffer or energy dissipation type buffer		2
Rupture valve		2
Running	k_2	1,2
Auxiliary parts	k_3	(....) ¹⁾
1) The value has to be determined by the manufacturer due to the actual installation.		

G.5 Calculations

G.5.1 Range of calculation

Guide rails shall be dimensioned taking into account bending stresses.

In cases where safety devices will act on guide rails, they shall be dimensioned taking into account bending and buckling stresses.

With hanging guide rails (fixed at the top of the well) instead of buckling, tensile stresses have to be taken into account.

G.5.2 Bending stresses

G.5.2.1 Depending on:

- the suspension of the car, counterweight or balancing weight;
- the position of the guide rails of the car, counterweight or balancing weight;
- the load and its distribution in the car;

the supporting forces - F_b - at the guide shoes create bending stresses in the guide rails.

G.5.2.2 Calculating the bending stresses in the different axis of the guide rail (**figure G.1**), it can be assumed that:

- the guide rail is a continuous beam with flexible fixing points at distances of the length l ;
- the resultant of forces causing bending stresses act in the middle between adjacent fixing points;
- bending moments act on the neutral axis of the profile of the guide rail.

Evaluating the bending stress - σ_m - from forces acting at right angles to the axis of the profile, the following formulae shall be used:

$$\sigma_m = \frac{M_m}{W}$$

with:

$$M_m = \frac{3 \cdot F_b \cdot l}{16}$$

where:

σ_m = bending stress in newtons per square millimetre;

M_m = bending moment in newtons millimetres;

W = cross sectional area modulus in cubic millimetres;

F_b = force applied to the guide rail by the guide shoes in the different load cases in newtons;

l = maximum distance between guide brackets in millimetres.

This is not valid for the load case "normal use, loading" provided the relative position of the guide shoes to the guide rail fixings has been taken into account.

G.5.2.3 Bending stresses in different axes shall be combined taking into account the guide rail profile.

If for W_x and W_y the usual values of tables (respectively $W_{x\min}$ and $W_{y\min}$) are used and therewith the permissible stresses are not exceeded, no further prove is necessary. Otherwise it has to be analysed at which outer edge of the guide rail profile the tensile stresses have their maximum.

G.5.2.4 If more than two guide rails are used, it is permitted to assume an equal distribution of the forces between the guide rails, provided their profiles are identical.

G.5.2.5 If more than one safety gear is used according to **9.8.2.2**, it can be assumed that the whole braking force is equally distributed between the safety gears.

G.5.2.5.1 In the case of vertical multiplex safety gears acting on the same guide rail, it shall be assumed, that the braking force of a guide rail is acting on one point.

G.5.2.5.2 In the case of horizontal multiplex safety gears, the braking force in one of the guide rails shall be in accordance with **G.2.3** or **G.2.4**.

G.5.3 Buckling

Determining the buckling stresses the “omega” -method shall be used with the following formulae:

$$\sigma_k = \frac{(F_k + k_3 \cdot M) \cdot \omega}{A} \quad \text{or} \quad \sigma_k = \frac{(F_c + k_3 \cdot M) \cdot \omega}{A}$$

where:

σ_k = buckling stress in newtons per square millimetre;

F_k = buckling force on a guide rail of the car in newtons, see **G.2.3**;

F_c = buckling force on a guide rail of the counterweight or balancing weight in newtons, see **G.2.4**;

k_3 = impact factor, see **table G.2**;

M = force in a guide rail due to auxiliary equipment in newtons;

A = cross sectional area of a guide rail in millimetres.

ω = omega value.

The “omega”-values can be taken from the **table G.3** and **G.4** or can be evaluated by using the following polynomials with:

$$\lambda = \frac{l_k}{i} \quad \text{and} \quad l_k = l$$

where:

λ = slenderness;

l_k = buckling length in millimetres;

i = minimum radius of gyration in millimetres;

l = maximum distance between guide brackets in millimetres.

For steel with tensile stress $R_m = 370 \text{ N/mm}^2$:

$$20 \leq \lambda \leq 60 \quad : \quad \omega = 0,00012920 \cdot \lambda^{1,89} + 1;$$

$$60 < \lambda \leq 85 \quad : \quad \omega = 0,00004627 \cdot \lambda^{2,14} + 1;$$

$$85 < \lambda \leq 115 \quad : \quad \omega = 0,00001711 \cdot \lambda^{2,35} + 1,04;$$

$$115 < \lambda \leq 250 \quad : \quad \omega = 0,00016887 \cdot \lambda^{2,00}.$$

For steel with tensile stress $R_m = 520 \text{ N/mm}^2$:

$$20 \leq \lambda \leq 50 \quad : \quad \omega = 0,00008240 \cdot \lambda^{2,06} + 1,021;$$

$$50 < \lambda \leq 70 \quad : \quad \omega = 0,00001895 \cdot \lambda^{2,41} + 1,05;$$

$$70 < \lambda \leq 89 \quad : \quad \omega = 0,00002447 \cdot \lambda^{2,36} + 1,03;$$

$$89 < \lambda \leq 250 \quad : \quad \omega = 0,00025330 \cdot \lambda^{2,00}.$$

The determination of “omega”-values of steel with tensile stress R_m between 370 N/mm^2 and 520 N/mm^2 shall be carried out by using the following formula:

$$\omega_R = \left[\frac{\omega_{520} - \omega_{370}}{520 - 370} \cdot (R_m - 370) \right] + \omega_{370}$$

“Omega”-values of other tough metallic material have to be submitted by the manufacturer.

G.5.4 Combination of bending and buckling stresses

The combined bending and buckling stresses shall be evaluated using the following formulae:

$$\text{bending stresses} \quad \sigma_m = \sigma_x + \sigma_y \quad \leq \sigma_{perm}$$

$$\text{bending and compression} \quad \sigma = \sigma_m + \frac{F_k + k_3 \cdot M}{A} \quad \leq \sigma_{perm}$$

or

$$\sigma = \sigma_m + \frac{F_c + k_3 \cdot M}{A} \quad \leq \sigma_{perm}$$

$$\text{buckling and bending} \quad \sigma_c = \sigma_k + 0,9 \cdot \sigma_m \quad \leq \sigma_{perm}$$

where:

σ_m = bending stress in newtons per square millimetre;

σ_x = bending stress in the X-axis in newtons per square millimetre;

σ_y = bending stress in the Y-axis in newtons per square millimetre;

σ_{perm} = permissible stress in newtons per square millimetre, see **10.1.2.1**;

σ_k = buckling stress in newtons per square millimetre;

F_k = buckling force on a guide rail of the car in newtons, see **G.2.3**;

F_c = buckling force on a guide rail of the counterweight or balancing weight in newtons, see **G.2.4**;

k_3 = impact factor see **table G.2**;

M = force in a guide rail due to auxiliary equipment in newtons;

A = cross sectional area of a guide rail in square millimetre.

G.5.5 Flange bending

Flange bending has to be taken into consideration.

For T-shaped guide rails, the following formula has to be used:

$$\sigma_F = \frac{1,85 \cdot F_x}{c^2} \leq \sigma_{perm}$$

where:

σ_F = local flange bending stress in newtons per square millimetre;

F_x = force exerted by a guide shoe to the flange in newtons;

c = width of the connecting part of the foot to the blade in millimetres, see **figure G.1**;

σ_{perm} = permissible stress in newtons per square millimetre.

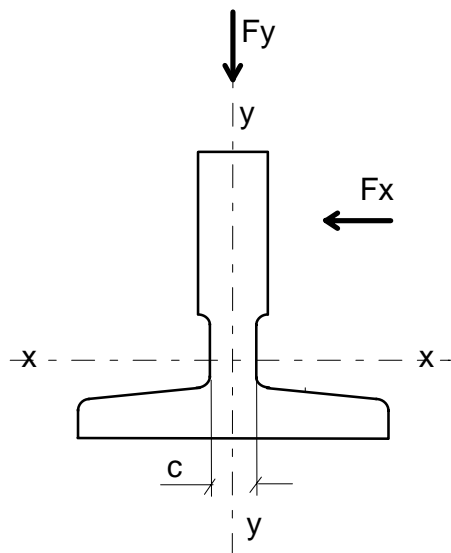


Figure G.1 — Axis of the guide rail

Table G.3 — “Omega”-value ω related to λ for steel with tensile stress of 370 N/mm²

λ	0	1	2	3	4	5	6	7	8	9	λ
20	1,04	1,04	1,04	1,05	1,05	1,06	1,06	1,07	1,07	1,08	20
30	1,08	1,09	1,09	1,10	1,10	1,11	1,11	1,12	1,13	1,13	30
40	1,14	1,14	1,15	1,16	1,16	1,17	1,18	1,19	1,19	1,20	40
50	1,21	1,22	1,23	1,23	1,24	1,25	1,26	1,27	1,28	1,29	50
60	1,30	1,31	1,32	1,33	1,34	1,35	1,36	1,37	1,39	1,40	60
70	1,41	1,42	1,44	1,45	1,46	1,48	1,49	1,50	1,52	1,53	70
80	1,55	1,56	1,58	1,59	1,61	1,62	1,64	1,66	1,68	1,69	80
90	1,71	1,73	1,74	1,76	1,78	1,80	1,82	1,84	1,86	1,88	90
100	1,90	1,92	1,94	1,96	1,98	2,00	2,02	2,05	2,07	2,09	100
110	2,11	2,14	2,16	2,18	2,21	2,23	2,27	2,31	2,35	2,39	110
120	2,43	2,47	2,51	2,55	2,60	2,64	2,68	2,72	2,77	2,81	120
130	2,85	2,90	2,94	2,99	3,03	3,08	3,12	3,17	3,22	3,26	130
140	3,31	3,36	3,41	3,45	3,50	3,55	3,60	3,65	3,70	3,75	140
150	3,80	3,85	3,90	3,95	4,00	4,06	4,11	4,16	4,22	4,27	150
160	4,32	4,38	4,43	4,49	4,54	4,60	4,65	4,71	4,77	4,82	160
170	4,88	4,94	5,00	5,05	5,11	5,17	5,23	5,29	5,35	5,41	170
180	5,47	5,53	5,59	5,66	5,72	5,78	5,84	5,91	5,97	6,03	180
190	6,10	6,16	6,23	6,29	6,36	6,42	6,49	6,55	6,62	6,69	190
200	6,75	6,82	6,89	6,96	7,03	7,10	7,17	7,24	7,31	7,38	200
210	7,45	7,52	7,59	7,66	7,73	7,81	7,88	7,95	8,03	8,10	210
220	8,17	8,25	8,32	8,40	8,47	8,55	8,63	8,70	8,78	8,86	220
230	8,93	9,01	9,09	9,17	9,25	9,33	9,41	9,49	9,57	9,65	230
240	9,73	9,81	9,89	9,97	10,05	10,14	10,22	10,30	10,39	10,47	240
250	10,55										

Table G.4 — “Omega”-value ω related to λ for steel with tensile stress of 520 N/mm²

λ	0	1	2	3	4	5	6	7	8	9	λ
20	1,06	1,06	1,07	1,07	1,08	1,08	1,09	1,09	1,10	1,11	20
30	1,11	1,12	1,12	1,13	1,14	1,15	1,15	1,16	1,17	1,18	30
40	1,19	1,19	1,20	1,21	1,22	1,23	1,24	1,25	1,26	1,27	40
50	1,28	1,30	1,31	1,32	1,33	1,35	1,36	1,37	1,39	1,40	50
60	1,41	1,43	1,44	1,46	1,48	1,49	1,51	1,53	1,54	1,56	60
70	1,58	1,60	1,62	1,64	1,66	1,68	1,70	1,72	1,74	1,77	70
80	1,79	1,81	1,83	1,86	1,88	1,91	1,93	1,95	1,98	2,01	80
90	2,05	2,10	2,10	2,19	2,24	2,29	2,33	2,38	2,43	2,48	90
100	2,53	2,58	2,64	2,69	2,74	2,79	2,85	2,90	2,95	3,01	100
110	3,06	3,12	3,18	3,23	3,29	3,35	3,41	3,47	3,53	3,59	110
120	3,65	3,71	3,77	3,83	3,89	3,96	4,02	4,09	4,15	4,22	120
130	4,28	4,35	4,41	4,48	4,55	4,62	4,69	4,75	4,82	4,89	130
140	4,96	5,04	5,11	5,18	5,25	5,33	5,40	5,47	5,55	5,62	140
150	5,70	5,78	5,85	5,93	6,01	6,09	6,16	6,24	6,32	6,40	150
160	6,48	6,57	6,65	6,73	6,81	6,90	6,98	7,06	7,15	7,23	160
170	7,32	7,41	7,49	7,58	7,67	7,76	7,85	7,94	8,03	8,12	170
180	8,21	8,30	8,39	8,48	8,58	8,67	8,76	8,86	8,95	9,05	180
190	9,14	9,24	9,34	9,44	9,53	9,63	9,73	9,83	9,93	10,03	190
200	10,13	10,23	10,34	10,44	10,54	10,65	10,75	10,85	10,96	11,06	200
210	11,17	11,28	11,38	11,49	11,60	11,71	11,82	11,93	12,04	12,15	210
220	12,26	12,37	12,48	12,60	12,71	12,82	12,94	13,05	13,17	13,28	220
230	13,40	13,52	13,63	13,75	13,87	13,99	14,11	14,23	14,35	14,47	230
240	14,59	14,71	14,83	14,96	15,08	15,20	15,33	15,45	15,58	15,71	240
250	15,83										

G.5.6 Examples of guidance, suspension situations and load cases of the car and the relevant formulae are given in **G.7**.

G.5.7 Deflections

The deflections shall be calculated by using the following formulae:

$$\delta_y = 0,7 \frac{F_y \cdot l^3}{48 \cdot E \cdot I_x} \quad \text{Y -Y guiding plane}$$

$$\delta_x = 0,7 \frac{F_x \cdot l^3}{48 \cdot E \cdot I_y} \quad \text{X -X guiding plane}$$

where:

δ_x = deflection in the X-axis in millimetres;

δ_y = deflection in the Y-axis in millimetres;

F_x = supporting force in the X-axis in newtons;

F_y = supporting force in the Y-axis in newtons;

l = maximum distance between guide brackets in millimetres;

E = modulus of elasticity in newtons per square millimetre;

I_x = second moment of area in the X-axis in fourth power millimetres;

I_y = second moment of area in the Y-axis in fourth power millimetres.

G.6 Permissible deflections

The permissible deflections of T-profiled guide rails are stated in **10.1.2.2**.

Deflections of guide rails other than T-profiles shall be limited such as to fulfil **10.1.1**.

The combination of permissible deflections with the deflection of brackets, play in the guide shoes and straightness of the guide rails shall not affect the requirement of **10.1.1**.

G.7 Examples of calculation method

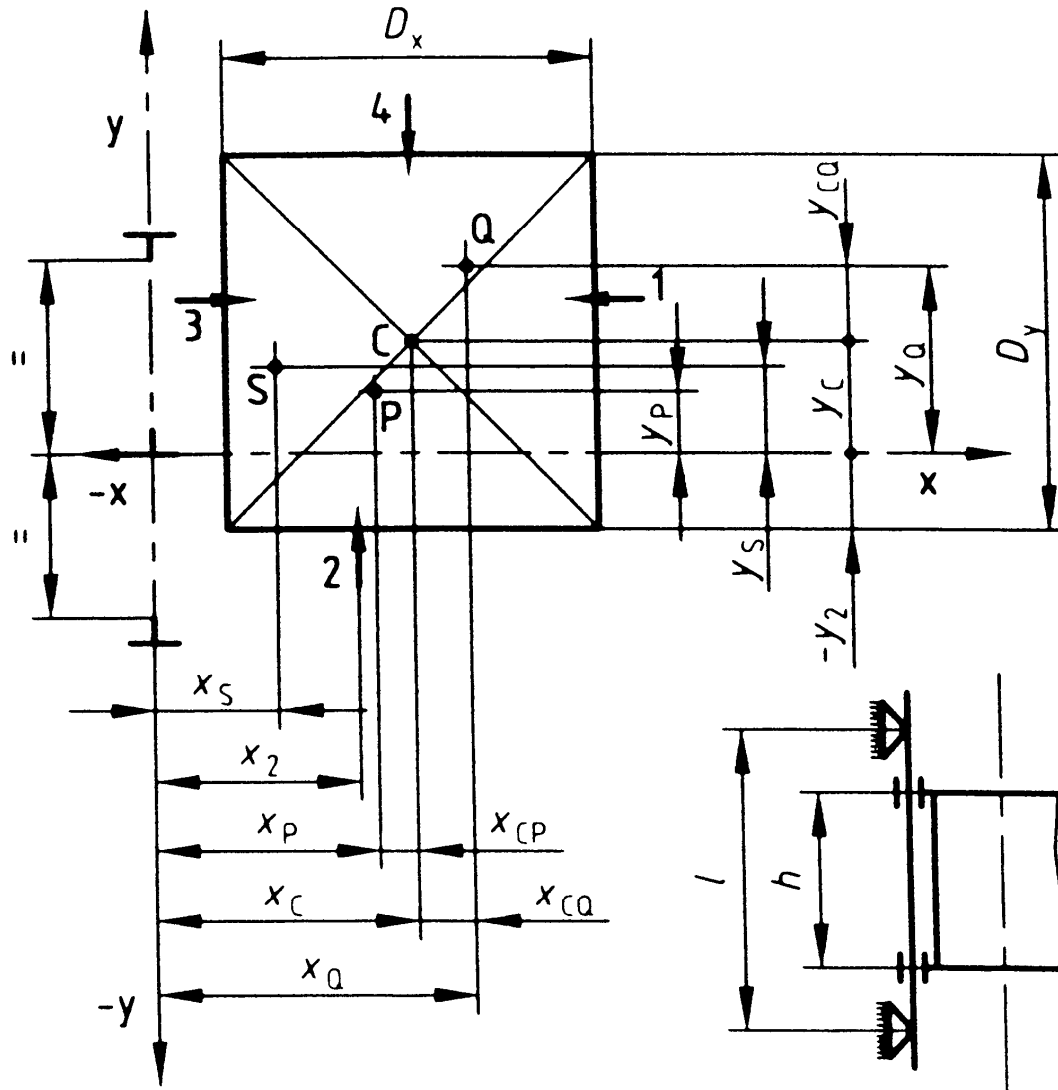
The following examples are used to explain the calculation of the guide rails.

The following symbols will be used in a computer algorithm with a Cartesian coordinates system for all possible geometrical cases.

The following symbols are used for the dimensions in the lift:

D_x = car dimension in X-direction, car depth;

D_Y	= car dimension in Y-direction, car width;
x_C, y_C	= position of the car centre (C) in relation to the guide rail cross coordinates;
x_S, y_S	= position of the suspension (S) in relation to the guide rail cross coordinates;
x_P, y_P	= position of the car mass (P) in relation to the guide rail cross coordinates;
x_{CP}, y_{CP}	= position of the car mass centre of gravity (P) in relation to the car centre (C);
S	= car suspension;
C	= car centre;
P	= car bending mass - mass centre of gravity;
Q	= rated load - mass centre of gravity;
→	= direction of loading;
1,2,3,4	= centre of the car door 1, 2, 3 or 4;
x_i, y_i	= position of the car door, $i = 1, 2, 3$ or 4 ;
n	= number of guide rails;
h	= distance between car guide shoes;
x_Q, y_Q	= position of the rated load (Q) in relation to the guide rail cross coordinates;
x_{CQ}, y_{CQ}	= distance between the car centre (C) and the rated load (Q) in the X-direction, Y-direction.



G.7.1 General configuration

G.7.1.1 Safety gear operation

G.7.1.1.1 Bending stress

a) Bending stress relative to the Y-axis of the guide rail due to guiding force:

$$F_x = \frac{k_1 \cdot g_n \cdot (Q \cdot x_Q + P \cdot x_P)}{n \cdot h}, \quad M_y = \frac{3 \cdot F_x \cdot l}{16}, \quad \sigma_y = \frac{M_y}{W_y}$$

b) Bending stress relative to the X-axis of the guide rail due to guiding force:

$$F_y = \frac{k_1 \cdot g_n \cdot (Q \cdot y_Q + P \cdot y_P)}{\frac{n}{2} \cdot h}, \quad M_x = \frac{3 \cdot F_y \cdot l}{16}, \quad \sigma_x = \frac{M_x}{W_x}$$

G.7.1.1.2 Buckling

$$F_k = \frac{k_1 \cdot g_n \cdot (P + Q)}{n} \qquad \sigma_k = \frac{(F_k + k_3 \cdot M) \cdot \omega}{A}$$

G.7.1.1.3 Combined stress ¹¹⁾

$$\sigma_m = \sigma_x + \sigma_y \leq \sigma_{perm}$$

$$\sigma = \sigma_m + \frac{F_k + k_3 \cdot M}{A} \leq \sigma_{perm}$$

$$\sigma_c = \sigma_k + 0,9 \cdot \sigma_m \leq \sigma_{perm}$$

G.7.1.1.4 Flange bending ¹²⁾

$$\sigma_F = \frac{1,85 \cdot F_x}{c^2} \leq \sigma_{perm}$$

G.7.1.1.5 Deflections ¹³⁾

$$\delta_x = 0,7 \frac{F_x \cdot l^3}{48 \cdot E \cdot I_y} \leq \delta_{perm} \qquad \delta_y = 0,7 \frac{F_y \cdot l^3}{48 \cdot E \cdot I_x} \leq \delta_{perm}$$

G.7.1.2 Normal use, running

G.7.1.2.1 Bending stress

a) Bending stress relative to the Y-axis of the guide rail due to guiding force:

$$F_x = \frac{k_2 \cdot g_n \cdot [Q \cdot (x_Q - x_S) + P \cdot (x_P - x_S)]}{n \cdot h}, \qquad M_y = \frac{3 \cdot F_x \cdot l}{16}, \qquad \sigma_y = \frac{M_y}{W_y}$$

b) Bending stress relative to the X-axis of the guide rail due to guiding force:

$$F_y = \frac{k_2 \cdot g_n \cdot [Q \cdot (y_Q - y_S) + P \cdot (y_P - y_S)]}{\frac{n}{2} \cdot h}, \qquad M_x = \frac{3 \cdot F_y \cdot l}{16}, \qquad \sigma_x = \frac{M_x}{W_x}$$

11) These figures apply to both load distribution cases 1 and 2, see **G.7.1.1.1**.

If $\sigma_{perm} < \sigma_m$, the figures for **G.5.2.3** may be used in the interest of minimum guide rail dimensions.

12) These figures apply to both load distribution cases **G.7.1.1.1**.

13) These figures apply to both load distribution cases **G.7.1.1.1**.

Load distribution: Case 1 relative to the X-axis (see **G.7.1.1.1**)

Case 2 relative to the Y-axis (see **G.7.1.1.1**)

G.7.1.2.2 Buckling

In normal use, running, buckling does not arise.

G.7.1.2.3 Combined stress ¹⁴⁾

$$\sigma_m = \sigma_x + \sigma_y \leq \sigma_{perm}$$

$$\sigma = \sigma_m + \frac{k_3 \cdot M}{A} \leq \sigma_{perm}$$

G.7.1.2.4 Flange bending ¹⁵⁾

$$\sigma_F = \frac{1,85 \cdot F_x}{C^2} \leq \sigma_{perm}$$

G.7.1.2.5 Deflections ¹⁶⁾

$$\delta_x = 0,7 \frac{F_x \cdot l^3}{48 \cdot E \cdot I_y} \leq \delta_{perm} \quad \delta_y = 0,7 \frac{F_y \cdot l^3}{48 \cdot E \cdot I_x} \leq \delta_{perm}$$

14) These figures apply to both load distribution cases **G.7.1.2.1**.

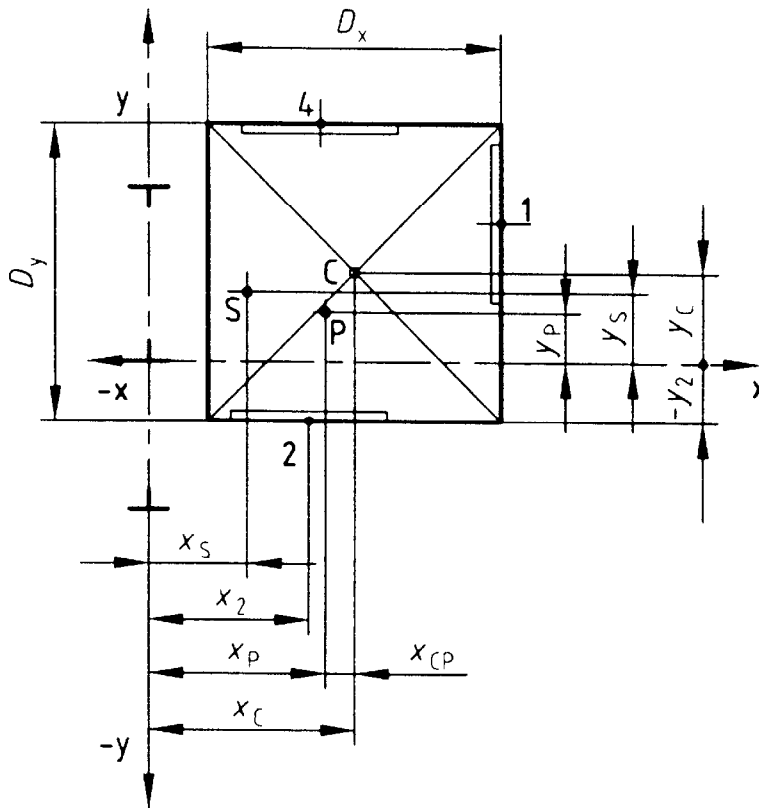
If $\sigma_{perm} < \sigma_m$, the figures for **G.5.2.3** may be used in the interest of minimum guide rail dimensions.

15) These figures apply to both load distribution cases **G.7.1.1.1**.

16) These figures apply to both load distribution cases **G.7.1.1.1**.

G.7.1.3 Normal use, loading

AC1



AC1

G.7.1.3.1 Bending stress

a) Bending stress relative to the Y-axis of the guide rail due to guiding force:

$$F_x = \frac{g_n \cdot P \cdot (x_P - x_S) + F_s \cdot (x_i - x_S)}{n \cdot h}, \quad M_y = \frac{3 \cdot F_x \cdot l}{16}, \quad \sigma_y = \frac{M_y}{W_y}$$

b) Bending stress relative to the X-axis of the guide rail due to guiding force:

$$F_y = \frac{g_n \cdot P \cdot (y_P - y_S) + F_s \cdot (y_i - y_S)}{\frac{n}{2} \cdot h}, \quad M_x = \frac{3 \cdot F_y \cdot l}{16}, \quad \sigma_x = \frac{M_x}{W_x}$$

G.7.1.3.2 Buckling

In normal use, loading, buckling does not arise.

G.7.1.3.3 Combined stress ¹⁷⁾

$$\sigma_m = \sigma_x + \sigma_y \leq \sigma_{perm}$$

$$\sigma = \sigma_m + \frac{k_3 \cdot M}{A} \leq \sigma_{perm}$$

G.7.1.3.4 Flange bending

$$\sigma_F = \frac{1,85 \cdot F_x}{c^2} \leq \sigma_{perm}$$

G.7.1.3.5 Deflections

$$\delta_x = 0,7 \frac{F_x \cdot l^3}{48 \cdot E \cdot I_y} \leq \delta_{perm}, \quad \delta_y = 0,7 \frac{F_y \cdot l^3}{48 \cdot E \cdot I_x} \leq \delta_{perm}$$

G.7.2 Centrally guided and suspended car

G.7.2.1 Safety gear operation

G.7.2.1.1 Bending stress

a) Bending stress relative to the Y-axis of the guide rail due to guiding force:

$$F_x = \frac{k_1 \cdot g_n \cdot (Q \cdot x_Q + P \cdot x_P)}{n \cdot h}, \quad M_y = \frac{3 \cdot F_x \cdot l}{16}, \quad \sigma_y = \frac{M_y}{W_y}$$

b) Bending stress relative to the X-axis of the guide rail due to guiding force:

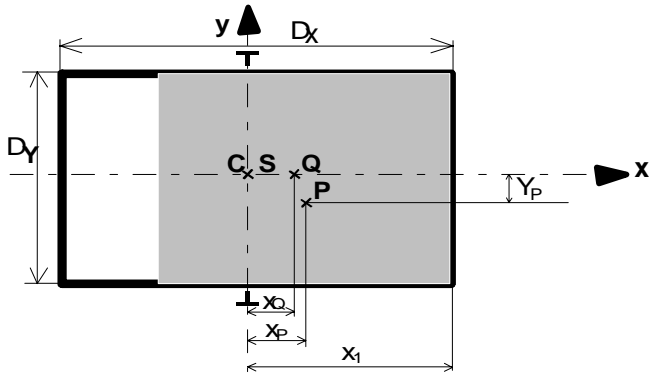
$$F_y = \frac{k_1 \cdot g_n \cdot (Q \cdot y_Q + P \cdot y_P)}{\frac{n}{2} \cdot h}, \quad M_x = \frac{3 \cdot F_y \cdot l}{16}, \quad \sigma_x = \frac{M_x}{W_x}$$

17) If $\sigma_{perm} < \sigma_m$, the figures for **G.5.2.3** may be used in the interest of minimum guide rail dimensions.

Load distribution

case 1 relative to X-axis

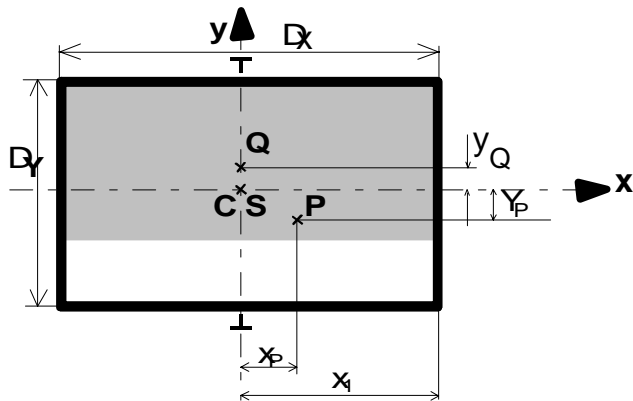
P and Q on the same side is the worst case, so Q in X-axis.



$$x_Q = \frac{D_x}{8}$$

$$y_Q = 0$$

case 2 relative to Y-axis



$$x_Q = 0$$

$$y_Q = \frac{D_y}{8}$$

G.7.2.1.2 Buckling

$$F_k = \frac{k_1 \cdot g_n \cdot (P + Q)}{2}, \quad \sigma_k = \frac{(F_k + k_3 \cdot M)}{A} \cdot \omega$$

G.7.2.1.3 Combined stress ¹⁸⁾

$$\sigma_m = \sigma_x + \sigma_y \leq \sigma_{perm}$$

$$\sigma = \sigma_m + \frac{F_k + k_3 \cdot M}{A} \leq \sigma_{perm}$$

$$\sigma_c = \sigma_k + 0,9 \cdot \sigma_m \leq \sigma_{perm}$$

18) These figures apply to both distribution load cases G.7.2.1.1.

G.7.2.1.4 Flange bending ¹⁹⁾

$$\sigma_F = \frac{1,85 \cdot F_x}{c^2} \leq \sigma_{perm}$$

G.7.2.1.5 Deflections ²⁰⁾

$$\delta_x = 0,7 \frac{F_x \cdot l^3}{48 \cdot E \cdot I_y} \leq \delta_{perm}, \quad \delta_y = 0,7 \frac{F_y \cdot l^3}{48 \cdot E \cdot I_x} \leq \delta_{perm}$$

G.7.2.2 Normal use, running

G.7.2.2.1 Bending stress

a) Bending stress relative to Y-axis of the guide rail due to guiding force:

$$F_x = \frac{k_2 \cdot g_n \cdot (Q \cdot x_Q + P \cdot x_P)}{n \cdot h} \quad M_y = \frac{3 \cdot F_x \cdot l}{16} \quad \sigma_y = \frac{M_y}{W_y}$$

b) Bending stress relative to X-axis of the guide rail due to guiding force:

$$F_y = \frac{k_2 \cdot g_n \cdot (Q \cdot y_Q + P \cdot y_P)}{\frac{n}{2} \cdot h}, \quad M_x = \frac{3 \cdot F_y \cdot l}{16}, \quad \sigma_x = \frac{M_x}{W_x}$$

Load distribution: Case 1 relative to the X-axis (see **G.7.2.1.1**)

Case 2 relative to the Y-axis (see **G.7.2.1.1**)

G.7.2.2.2 Buckling

In normal use, running, buckling does not arise.

G.7.2.2.3 Combined stress ²¹⁾

$$\sigma_m = \sigma_x + \sigma_y \leq \sigma_{perm}$$

$$\sigma = \sigma_m + \frac{k_3 \cdot M}{A} \leq \sigma_{perm}$$

19) These figures apply to both distribution load cases **G.7.2.1.1**.

20) These figures apply to both distribution load cases **G.7.2.1.1**.

21) These figures apply to both distribution load cases **G.7.2.1.1**.

If $\sigma_{perm} < \sigma_m$, the figures for **G.5.2.3** may be used in the interest of minimum guide rail dimensions.

G.7.2.2.4 Flange bending ²²⁾

$$\sigma_F = \frac{1,85 \cdot F_x}{c^2} \leq \sigma_{perm}$$

G.7.2.2.5 Deflections ²³⁾

$$\delta_x = 0,7 \frac{F_x \cdot l^3}{48 \cdot E \cdot I_y} \leq \delta_{perm}, \quad \delta_y = 0,7 \frac{F_y \cdot l^3}{48 \cdot E \cdot I_x} \leq \delta_{perm}$$

G.7.2.3 Normal use, loading

G.7.2.3.1 Bending stress

a) Bending stress relative to Y-axis of the guide rail due to guiding force:

$$F_x = \frac{g_n \cdot P \cdot x_P + F_s \cdot x_1}{2 \cdot h}, \quad M_y = \frac{3 \cdot F_x \cdot l}{16}, \quad \sigma_y = \frac{M_y}{W_y}$$

b) Bending stress relative to X-axis of the guide rail due to guiding force:

$$F_y = \frac{g_n \cdot P \cdot y_P + F_s \cdot y_1}{h}, \quad M_x = \frac{3 \cdot F_y \cdot l}{16}, \quad \sigma_x = \frac{M_x}{W_x}$$

G.7.2.3.2 Buckling

In normal use, loading, buckling does not arise.

G.7.2.3.3 Combined stress ²⁴⁾

$$\sigma_m = \sigma_x + \sigma_y \leq \sigma_{perm}$$

$$\sigma = \sigma_m + \frac{k_3 \cdot M}{A} \leq \sigma_{perm}$$

G.7.2.3.4 Flange bending

$$\sigma_F = \frac{1,85 \cdot F_x}{c^2} \leq \sigma_{perm}$$

22) These figures apply to both distribution load cases **G.7.2.1.1**.

23) These figures apply to both distribution load cases **G.7.2.1.1**.

24) If $\sigma_{perm} < \sigma_m$, the figures for **G.5.2.3** may be used in the interest of minimum guide rail dimensions.

G.7.2.3.5 Deflections

$$\delta_x = 0,7 \frac{F_x \cdot l^3}{48 \cdot E \cdot I_y} \leq \delta_{perm}, \quad \delta_y = 0,7 \frac{F_y \cdot l^3}{48 \cdot E \cdot I_x} \leq \delta_{perm}$$

G.7.3 Eccentrically guided and suspended car

G.7.3.1 Safety gear operation

G.7.3.1.1 Bending stress

a) Bending stress relative to Y-axis of the guide rail due to guiding force:

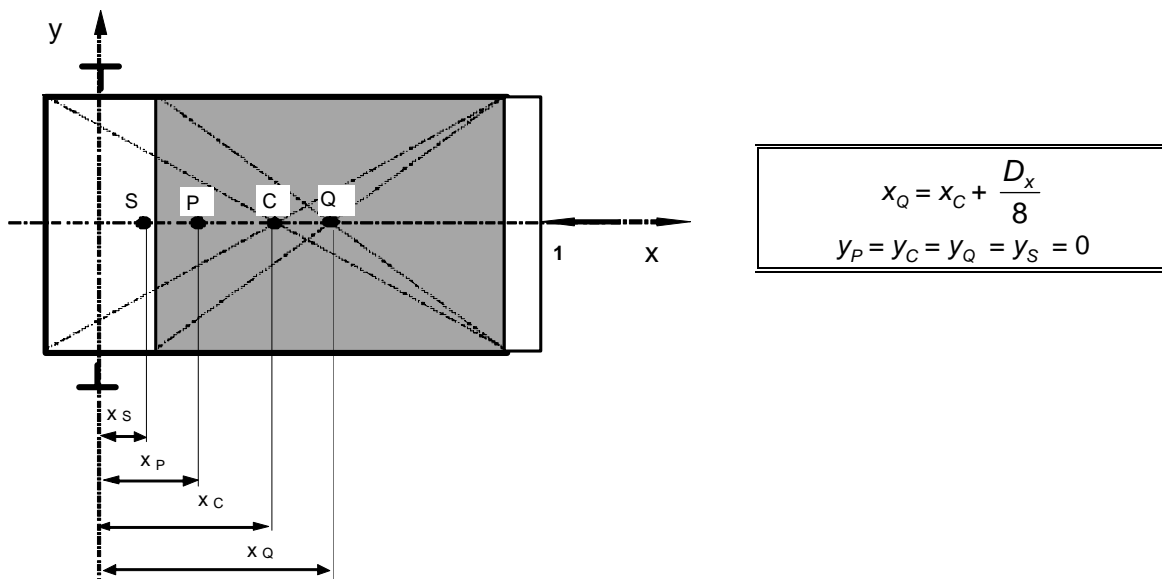
$$F_x = \frac{k_1 \cdot g_n \cdot (Q \cdot x_Q + P \cdot x_P)}{n \cdot h}, \quad M_y = \frac{3 \cdot F_x \cdot l}{16}, \quad \sigma_y = \frac{M_y}{W_y}$$

b) Bending stress relative to X-axis of the guide rail due to guiding force:

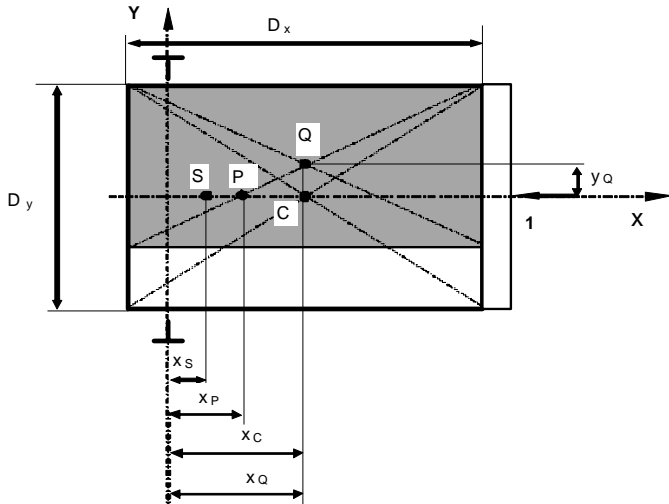
$$F_y = \frac{k_1 \cdot g_n \cdot (Q \cdot y_Q + P \cdot y_P)}{\frac{n}{2} \cdot h}, \quad M_x = \frac{3 \cdot F_y \cdot l}{16}, \quad \sigma_x = \frac{M_x}{W_x}$$

Load distribution

case 1 relative to X-axis



case 2 relative to Y-axis



$$y_Q = \frac{D_y}{8}$$

$$x_C = x_Q$$

G.7.3.1.2 Buckling

$$F_k = \frac{k_1 \cdot g_n \cdot (P + Q)}{n}, \quad \sigma_k = \frac{(F_k + k_3 \cdot M) \cdot \omega}{A}$$

G.7.3.1.3 Combined stress ²⁵⁾

$$\sigma_m = \sigma_x + \sigma_y \leq \sigma_{perm}$$

$$\sigma = \sigma_m + \frac{F_k + k_3 \cdot M}{A} \leq \sigma_{perm}$$

$$\sigma_c = \sigma_k + 0,9 \cdot \sigma_m \leq \sigma_{perm}$$

G.7.3.1.4 Flange bending ²⁶⁾

$$\sigma_F = \frac{1,85 \cdot F_x}{C^2} \leq \sigma_{perm}$$

25) These figures apply to both load distribution cases G.7.3.1.1.

If $\sigma_{perm} < \sigma_m$, the figures for G.5.2.3 may be used in the interest of minimum guide rail dimensions.

26) These figures apply to both load distribution cases G.7.3.1.1.

G.7.3.1.5 Deflections ²⁷⁾

$$\delta_x = 0,7 \frac{F_x \cdot l^3}{48 \cdot E \cdot I_y} \leq \delta_{perm} \quad \delta_y = 0,7 \frac{F_y \cdot l^3}{48 \cdot E \cdot I_x} \leq \delta_{perm}$$

G.7.3.2 Normal use, running

G.7.3.2.1 Bending stress

a) Bending stress relative to the Y-axis of the guide rail due to guiding force:

$$F_x = \frac{k_2 \cdot g_n \cdot [Q \cdot (x_Q - x_S) + P \cdot (x_P - x_S)]}{n \cdot h} \quad M_y = \frac{3 \cdot F_x \cdot l}{16}, \quad \sigma_y = \frac{M_y}{W_y}$$

b) Bending stress relative to the X-axis of the guide rail due to guiding force:

$$F_y = \frac{k_2 \cdot g_n \cdot [Q \cdot (y_Q - y_S) + P \cdot (y_P - y_S)]}{\frac{n}{2} \cdot h}, \quad M_x = \frac{3 \cdot F_y \cdot l}{16}, \quad \sigma_x = \frac{M_x}{W_x}$$

Load distribution: Case 1 relative to the X-axis (see G.7.2.1.1)

Case 2 relative to the Y-axis (see G.7.2.1.1)

G.7.3.2.2 Buckling

In normal use, running, buckling does not arise.

G.7.3.2.3 Combined stress²⁸⁾

$$\sigma_m = \sigma_x + \sigma_y \leq \sigma_{perm}$$

$$\sigma = \sigma_m + \frac{k_3 \cdot M}{A} \leq \sigma_{perm}$$

G.7.3.2.4 Flange bending ²⁹⁾

$$\sigma_F = \frac{1,85 \cdot F_x}{c^2} \leq \sigma_{perm}$$

27) These figures apply to both load distribution cases G.7.3.1.1.

28) These figures apply to both load distribution cases G.7.3.1.1.

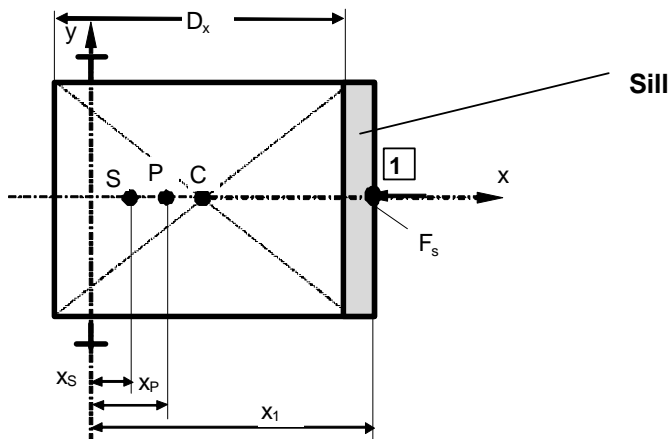
If $\sigma_{perm} < \sigma_m$, the figures for G.5.2.3 may be used in the interest of minimum guide rail dimensions.

29) These figures apply to both load distribution cases G.7.3.1.1.

G.7.3.2.5 Deflections ³⁰⁾

$$\delta_x = 0,7 \frac{F_x \cdot l^3}{48 \cdot E \cdot I_y} \leq \delta_{perm}, \quad \delta_y = 0,7 \frac{F_y \cdot l^3}{48 \cdot E \cdot I_x} \leq \delta_{perm}$$

G.7.3.3 Normal use, loading



G.7.3.3.1 Bending stress

a) Bending stress relative to the Y-axis of the guide rail due to guiding force:

$$F_x = \frac{g_n \cdot P \cdot (x_p - x_s) + F_s \cdot (x_1 - x_s)}{n \cdot h}, \quad M_y = \frac{3 \cdot F_x \cdot l}{16}, \quad \sigma_y = \frac{M_y}{W_y}$$

b) Bending stress relative to the X-axis of the guide rail due to guiding force:

$$F_y = 0$$

G.7.3.3.2 Buckling

In normal use, loading, buckling does not arise.

G.7.3.3.3 Combined stress ³¹⁾

$$\sigma_m = \sigma_y \leq \sigma_{perm}$$

$$\sigma = \sigma_m + \frac{k_3 \cdot M}{A} \leq \sigma_{perm}$$

30) These figures apply to both load distribution cases **G.7.3.1.1**.

31) If $\sigma_{perm} < \sigma_m$, the figures for **G.5.2.3** may be used in the interest of minimum guide rail dimensions.

G.7.3.3.4 Flange bending

$$\sigma_F = \frac{1,85 \cdot F_x}{C^2} \leq \sigma_{perm}$$

G.7.3.3.5 Deflections

$$\delta_x = 0,7 \frac{F_x \cdot l^3}{48 \cdot E \cdot I_y} \leq \delta_{perm}, \quad \delta_y = 0$$

G.7.4 Cantilevered guidance and suspension

G.7.4.1 Safety gear operation

G.7.4.1.1 Bending stress

a) Bending stress relative to the Y-axis of the guide rail due to guiding force:

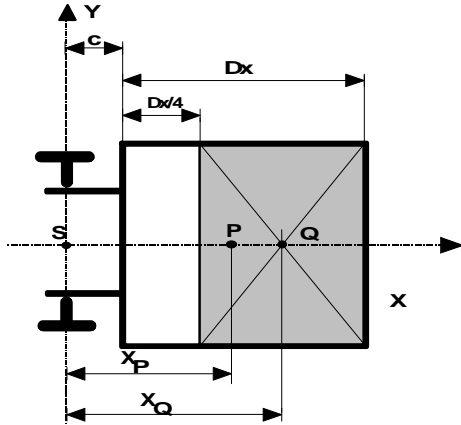
$$F_x = \frac{k_1 \cdot g_n \cdot (Q \cdot x_Q + P \cdot x_P)}{n \cdot h}, \quad M_y = \frac{3 \cdot F_x \cdot l}{16}, \quad \sigma_y = \frac{M_y}{W_y}$$

b) Bending stress relative to the X-axis of the guide rail due to guiding force:

$$F_y = \frac{k_1 \cdot g_n \cdot (Q \cdot y_Q + P \cdot y_P)}{\frac{n}{2} \cdot h}, \quad M_x = \frac{3 \cdot F_y \cdot l}{16}, \quad \sigma_x = \frac{M_x}{W_x}$$

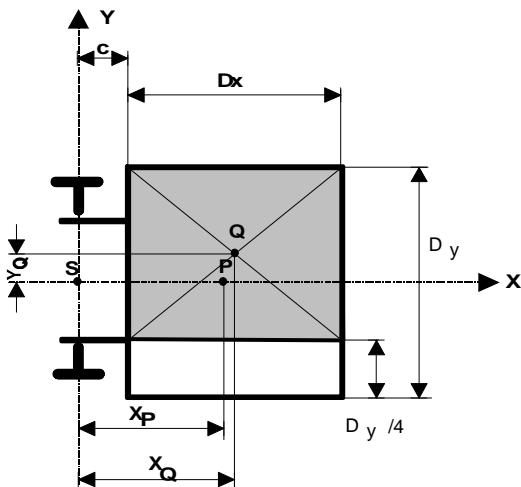
Load distribution

case 1 relative to the X-axis



$x_P > 0$	$y_P = 0$
$x_Q = c + \frac{5}{8} \cdot D_x$	$y_Q = 0$

case 2 relative to the Y-axis



$x_P > 0$	$y_P = 0$
$x_Q = c + \frac{D_x}{2}$	$y_Q = \frac{1}{8} \cdot D_y$

G.7.4.1.2 Buckling

$$F_k = \frac{k_1 \cdot g_n \cdot (P + Q)}{n},$$

$$\sigma_k = \frac{(F_k + k_3 \cdot M) \cdot \omega}{A}$$

G.7.4.1.3 Combined stress ³²⁾

$$\sigma_m = \sigma_x + \sigma_y \leq \sigma_{perm}$$

$$\sigma = \sigma_m + \frac{F_k + k_3 \cdot M}{A} \leq \sigma_{perm}$$

$$\sigma_c = \sigma_k + 0,9 \cdot \sigma_m \leq \sigma_{perm}$$

G.7.4.1.4 Flange bending ³³⁾

$$\sigma_F = \frac{1,85 \cdot F_x}{c^2} \leq \sigma_{perm}$$

G.7.4.1.5 Deflections ³⁴⁾

$$\delta_x = 0,7 \frac{F_x \cdot l^3}{48 \cdot E \cdot I_y} \leq \delta_{perm} \quad \delta_y = 0,7 \frac{F_y \cdot l^3}{48 \cdot E \cdot I_x} \leq \delta_{perm}$$

G.7.4.2 Normal use, running

G.7.4.2.1 Bending stress

a) Bending stress relative to the Y-axis of the guide rail due to guiding force:

$$F_x = \frac{k_2 \cdot g_n \cdot [Q \cdot (x_Q - x_S) + P \cdot (x_P - x_S)]}{n \cdot h} \quad M_y = \frac{3 \cdot F_x \cdot l}{16}, \quad \sigma_y = \frac{M_y}{W_y}$$

b) Bending stress relative to the X-axis of the guide rail due to guiding force:

$$F_y = \frac{k_2 \cdot g_n \cdot [Q \cdot (y_Q - y_S) + P \cdot (y_P - y_S)]}{\frac{n}{2} \cdot h}, \quad M_x = \frac{3 \cdot F_y \cdot l}{16}, \quad \sigma_x = \frac{M_x}{W_x}$$

Load distribution: Case 1 relative to the X-axis (see **G.7.4.1.1**)

Case 2 relative to the Y-axis (see **G.7.4.1.1**)

G.7.4.2.2 Buckling

In normal use, running, buckling does not arise.

32) These figures apply to both load distribution cases **G.7.4.1.1**.

If $\sigma_{perm} < \sigma_m$, the figures for **G.5.2.3** may be used in the interest of minimum guide rail dimensions.

33) These figures apply to both load distribution cases **G.7.4.1.1**.

34) These figures apply to both load distribution cases **G.7.4.1.1**.

G.7.4.2.3 Combined stress ³⁵⁾

$$\sigma_m = \sigma_x + \sigma_y \leq \sigma_{perm}$$

$$\sigma = \sigma_m + \frac{k_3 \cdot M}{A} \leq \sigma_{perm}$$

G.7.4.2.4 Flange bending ³⁶⁾

$$\sigma_F = \frac{1,85 \cdot F_x}{c^2} \leq \sigma_{perm}$$

G.7.4.2.5 Deflections ³⁷⁾

$$\delta_x = 0,7 \frac{F_x \cdot l^3}{48 \cdot E \cdot I_y} \leq \delta_{perm}, \quad \delta_y = 0,7 \frac{F_y \cdot l^3}{48 \cdot E \cdot I_x} \leq \delta_{perm}$$

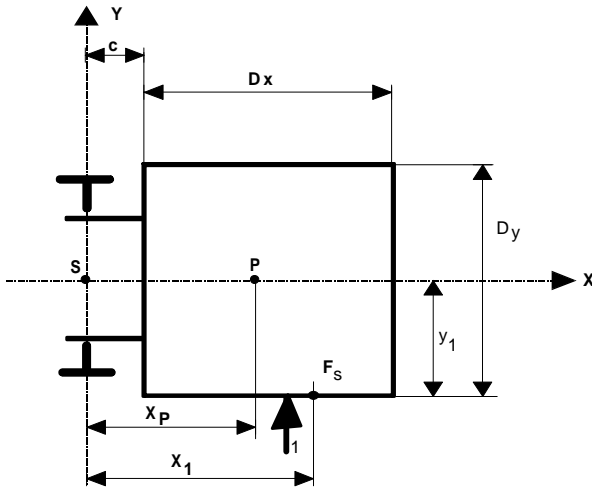
35) These figures apply to both load distribution cases **G.7.4.1.1**.

If $\sigma_{perm} < \sigma_m$, the figures for **G.5.2.3** may be used in the interest of minimum guide rail dimensions.

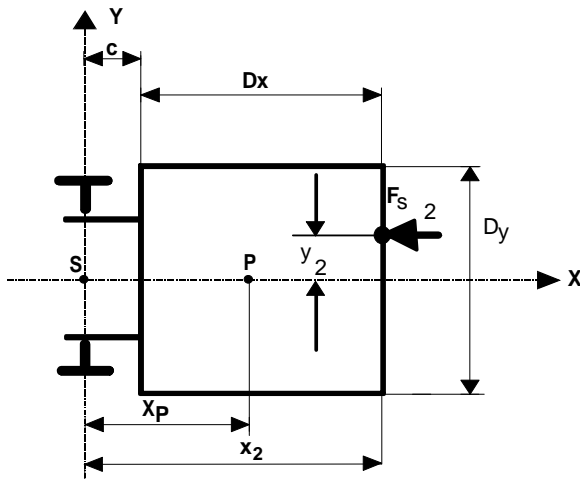
36) These figures apply to both load distribution cases **G.7.4.1.1**.

37) These figures apply to both load distribution cases **G.7.4.1.1**.

G.7.4.3 Normal use, loading



$x_p > 0$	$y_p = 0$
$x_1 > 0$	$y_1 = \frac{D_y}{2}$



$x_p > 0$	$y_p = 0$
$x_2 > c + D_x$	$y_2 > 0$

G.7.4.3.1 Bending stress

a) Bending stress relative to the Y-axis of the guide rail due to guiding force:

$$F_x = \frac{g_n \cdot P \cdot x_p + F_s \cdot x_i}{n \cdot h}, \quad M_y = \frac{3 \cdot F_x \cdot l}{16}, \quad \sigma_y = \frac{M_y}{W_y}$$

b) Bending stress relative to the X-axis of the guide rail due to guiding force:

$$F_y = \frac{F_s \cdot y_i}{\frac{n}{2} \cdot h}, \quad M_x = \frac{3 \cdot F_y \cdot l}{16}, \quad \sigma_x = \frac{M_x}{W_x}$$

G.7.4.3.2 Buckling

In normal use, loading, buckling does not arise.

G.7.4.3.3 Combined stress ³⁸⁾

$$\sigma_m = \sigma_x + \sigma_y \leq \sigma_{perm}$$

$$\sigma = \sigma_m + \frac{k_3 \cdot M}{A} \leq \sigma_{perm}$$

G.7.4.3.4 Flange bending

$$\sigma_F = \frac{1,85 \cdot F_x}{c^2} \leq \sigma_{perm}$$

G.7.4.3.5 Deflections

$$\delta_x = 0,7 \frac{F_x \cdot l^3}{48 \cdot E \cdot I_y} \leq \delta_{perm} \quad \delta_y = 0,7 \frac{F_y \cdot l^3}{48 \cdot E \cdot I_x} \leq \delta_{perm}$$

G.7.5 Panoramic lift - General configuration

The following example is based on a panoramic car with eccentric guiding and suspension.

G.7.5.1 Safety gear operation

G.7.5.1.1 Bending stress

a) Bending stress relative to the Y-axis of the guide rail due to guiding force:

$$F_x = \frac{k_1 \cdot g_n \cdot (Q \cdot x_Q + P \cdot x_P)}{n \cdot h}, \quad M_y = \frac{3 \cdot F_x \cdot l}{16}, \quad \sigma_y = \frac{M_y}{W_y}$$

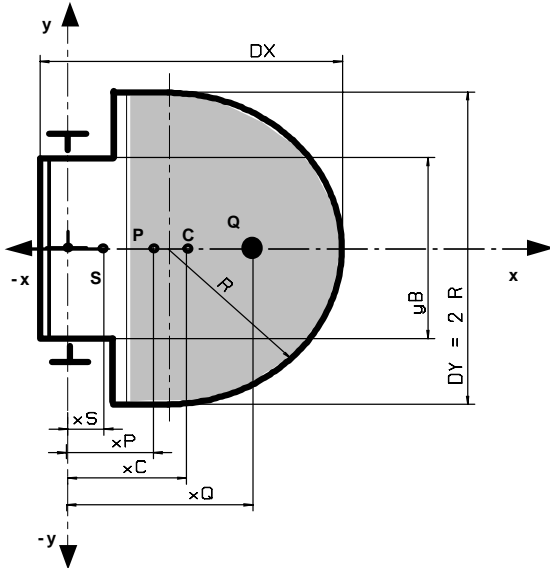
b) Bending stress relative to the X-axis of the guide rail due to guiding force:

$$F_y = \frac{k_1 \cdot g_n \cdot (Q \cdot y_Q + P \cdot y_P)}{\frac{n}{2} \cdot h}, \quad M_x = \frac{3 \cdot F_y \cdot l}{16}, \quad \sigma_x = \frac{M_x}{W_x}$$

38) If $\sigma_{perm} < \sigma_m$, the figures for **G.5.2.3** may be used in the interest of minimum guide rail dimensions.

Load distribution

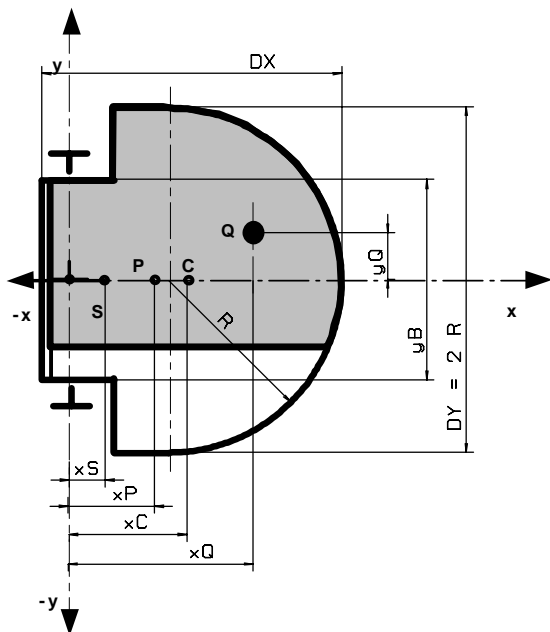
case1 relative to the X-axis



x_Q = The lever $\overline{AC_1} x_Q \overline{AC_1}$ means the distance from the centre of gravity of the area marked, which is equal to 3/4rds of the total area covered by the car.

$$Y_Q = 0$$

case 2 relative to the Y-axis



$$x_Q =$$

$$Y_Q =$$

The levers $\overline{AC_1} x_Q \overline{AC_1}$ and $\overline{AC_1} y_Q \overline{AC_1}$ mean the distances from the centre of gravity of the area marked which is equal to 3/4rds of the total area covered by the car

G.7.5.1.2 Buckling

$$F_k = \frac{k_1 \cdot g_n \cdot (P + Q)}{n}, \quad \sigma_k = \frac{(F_k + k_3 \cdot M) \cdot \omega}{A}$$

G.7.5.1.3 Combined stress ³⁹⁾

$$\sigma_m = \sigma_x + \sigma_y \leq \sigma_{perm}$$

$$\sigma = \sigma_m + \frac{F_k + k_3 \cdot M}{A} \leq \sigma_{perm}$$

$$\sigma_c = \sigma_k + 0,9 \cdot \sigma_m \leq \sigma_{perm}$$

G.7.5.1.4 Flange bending ⁴⁰⁾

$$\sigma_F = \frac{1,85 \cdot F_x}{c^2} \leq \sigma_{perm}$$

G.7.5.1.5 Deflections ⁴¹⁾

$$\delta_x = 0,7 \frac{F_x \cdot l^3}{48 \cdot E \cdot I_y} \leq \delta_{perm}, \quad \delta_y = 0,7 \frac{F_y \cdot l^3}{48 \cdot E \cdot I_x} \leq \delta_{perm}$$

G.7.5.2 Normal use, running

G.7.5.2.1 Bending stress

a) Bending stress relative to the Y-Axis of the guide rail due to guiding force:

$$F_x = \frac{k_2 \cdot g_n \cdot [Q \cdot (x_Q - x_S) + P \cdot (x_P - x_S)]}{n \cdot h}, \quad M_y = \frac{3 \cdot F_x \cdot l}{16}, \quad \sigma_y = \frac{M_y}{W_y}$$

b) Bending stress relative to the X-Axis of the guide rail due to guiding force:

$$F_y = \frac{k_2 \cdot g_n \cdot [Q \cdot (y_Q - y_S) + P \cdot (y_P - y_S)]}{\frac{n}{2} \cdot h}, \quad M_x = \frac{3 \cdot F_y \cdot l}{16}, \quad \sigma_x = \frac{M_x}{W_x}$$

Load distribution: Case 1 relative to the X-axis (see **G.7.5.1.1**)
Case 2 relative to the Y-axis (see **G.7.5.1.1**)

G.7.5.2.2 Buckling

In normal use, running, buckling does not arise.

39) These figures apply to both load distribution cases **G.7.5.1.1**.

If $\sigma_{perm} < \sigma_m$, the figures for **G.5.2.3** may be used in the interest of minimum guide rail dimensions.

40) These figures apply to both load distribution cases **G.7.5.1.1**.

41) These figures apply to both load distribution cases **G.7.5.1.1**.

G.7.5.2.3 Combined stress ⁴²⁾

$$\sigma_m = \sigma_x + \sigma_y \leq \sigma_{perm}$$

$$\sigma = \sigma_m + \frac{k_3 \cdot M}{A} \leq \sigma_{perm}$$

G.7.5.2.4 Flange bending ⁴³⁾

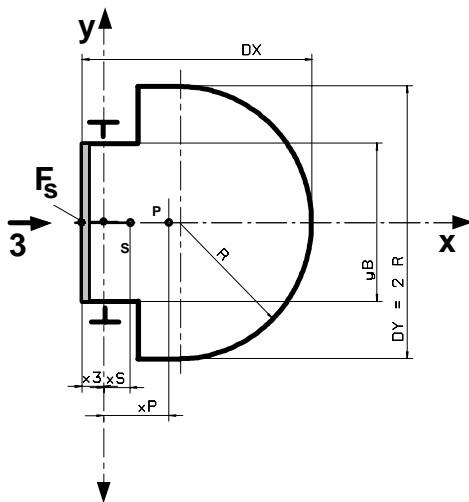
$$\sigma_F = \frac{1,85 \cdot F_x}{c^2} \leq \sigma_{perm}$$

G.7.5.2.5 Deflections ⁴⁴⁾

$$\delta_x = 0,7 \frac{F_x \cdot l^3}{48 \cdot E \cdot I_y} \leq \delta_{perm}$$

$$\delta_y = 0,7 \frac{F_y \cdot l^3}{48 \cdot E \cdot I_x} \leq \delta_{perm}$$

G.7.5.3 Normal use, loading



$$y_i = 0$$

42) These figures apply to both load distribution cases **G.7.5.1.1.**

43) These figures apply to both load distribution cases **G.7.5.1.1.**

44) These figures apply to both load distribution cases **G.7.5.1.1.**

G.7.5.3.1 Bending stress

a) Bending stress relative to the Y-Axis of the guide rail due to guiding force:

$$F_x = \frac{g_n \cdot P \cdot (x_P - x_S) - F_s \cdot (x_i + x_S)}{n \cdot h}, \quad M_y = \frac{3 \cdot F_x \cdot l}{16}, \quad \sigma_y = \frac{M_y}{W_y}$$

b) Bending stress relative to the X-Axis of the guide rail due to guiding force:

$$F_y = 0$$

G.7.5.3.2 Buckling

In normal use, loading, buckling does not arise.

G.7.5.3.3 Combined stress

$$\sigma_m = \sigma_y \leq \sigma_{perm}$$

$$\sigma = \sigma_m + \frac{k_3 \cdot M}{A} \leq \sigma_{perm}$$

G.7.5.3.4 Flange bending ⁴⁵⁾

$$\sigma_F = \frac{1,85 \cdot F_x}{c^2} \leq \sigma_{perm}$$

G.7.5.3.5 Deflections

$$\delta_x = 0,7 \frac{F_x \cdot l^3}{48 \cdot E \cdot I_y} \leq \delta_{perm}, \quad \delta_y = 0$$

45) If $\sigma_{perm} < \sigma_m$, the figures for **G.5.2.3** may be used in the interest of minimum guide rail dimensions.

Annex H (normative)

Electronic components - Failure exclusion

The faults to be considered in the electric equipment of a lift are listed in **14.1.1.1**. In **14.1.1** it is stated that certain faults can be excluded under specified conditions.

Failure exclusion shall only be considered provided that components are applied within their worst case limits of characteristics, value, temperature, humidity, voltage and vibrations.

The following **table H.1** describes the conditions under which the faults envisaged in **14.1.1.1 e)** can be excluded.

In the table:

- the “NO” in the cell means: failure not excluded, i.e. shall be considered;
- the unmarked cell means: the identified fault type is not relevant.

Table H.1 — Exclusions of failures

Component	Possible failure exclusion					Conditions	Remarks
	Open circuit	Short circuit	Change to higher value	Change to lower value	Change of function		
1 Passive components							
1.1 Resistor fixed	NO	(a)	NO	(a)		(a) Only for film resistors with varnished or sealed resistance film and axial connection according to applicable IEC standards, and for wire wound resistors if they are made of a single layer winding protected by enamel or sealed.	
1.2 Resistor variable	NO	NO	NO	NO			
1.3 Resistor, non linear NTC, PTC, VDR, IDR	NO	NO	NO	NO			
1.4 Capacitor	NO	NO	NO	NO			
1.5 Inductive components - coil - choke	NO	NO		NO			
2 Semiconductors							
2.1 Diode, LED	NO	NO			NO		Change of function refers to a change in reverse current value.
2.2 Zener Diode	NO	NO		NO	NO		Change to lower value refers to change in Zener voltage. Change of function refers to change in reverse current value.
<i>"to be continued"</i>							

Table H.1 (continued)

Component	Possible failure exclusion					Conditions	Remarks	
	Open circuit	Short circuit	Change to higher value	Change to lower value	Change of function			
2 Semiconductors (Continued)								
2.3 Thyristor, Triac, GTO	NO	NO			NO		Change of function refers to self triggering or latching of components.	
2.4 Optocoupler	NO	(a)			NO	(a) Can be excluded under condition that the optocoupler is according to IEC 60747-5, and the isolation voltage is at least according to table below, IEC 60664-1, Table 1.	Open circuit means open circuit in one of the two basic components (LED and photo transistor). Short circuit means short circuit between them.	
						Voltage phase-to-earth derived from rated system voltage up to and including V_{rms} and d.c.		Preferred series of impulse withstand voltages in volts for installation
								Category III
						50	800	
						100	1 500	
						150	2 500	
						300	4 000	
						600	6 000	
						1 000	8 000	

"to be continued"

Table H.1 (continued)

Component	Possible failure exclusion					Conditions	Remarks
	Open circuit	Short circuit	Change to higher value	Change to lower value	Change of function		
2 Semiconductors (continued)							
2.5 Hybrid circuit	NO	NO	NO	NO	NO		
2.6 Integrated circuit	NO	NO	NO	NO	NO		Change in function to oscillation, "and" gates becoming "or" gates, etc...
3 Miscellaneous							
3.1 Connectors Terminals Plugs	NO	(a)				(a) The short circuits of connectors can be excluded if the minimum values are according to the tables (taken over from IEC 60664-1) with the conditions: - the pollution degree is 3; - the material group is III; - inhomogeneous field . The column "printed wiring material" of table 4 is not used. These are absolute minimum values which can be found on the connected unit, not pitch dimension or theoretical values. If the protection of the connector is IP 5X or better, the creepage distances can be reduced to the clearance value, e.g. 3 mm for 250 V _{rms} .	
3.2 Neon bulb	NO	NO					

"to be continued"

Table H.1 (continued)

Component	Possible failure exclusion					Conditions	Remarks
	Open circuit	Short circuit	Change to higher value	Change to lower value	Change of function		
3 Miscellaneous (continued)							
3.3 Transformer	NO	(a)	(b)	(b)		(a) (b) Can be excluded under condition that isolation voltage between windings and core is in line with EN 60742, 17.2 and 17.3, and the working voltage is the highest possible voltage of table 6 between live and earth	Short-circuits include short-circuits of primary or secondary windings, or between primary and secondary coils. Change in value refers to change of ratio by partial short-circuit in a winding.
3.4 Fuse		(a)				(a) Can be excluded if the fuse is correctly rated, and constructed according to the applicable IEC standards.	Short circuit means short circuit of the blown fuse.
3.5 Relay	NO	(a) (b)				(a) Short-circuits between contacts, and between contacts and coil can be excluded if the relay fulfils the requirements of 13.2.2.3 (14.1.2.2.3) . (b) Welding of contacts can not be excluded. However, if the relay is constructed to have mechanically forced interlocked contacts, and made according to EN 60947-5-1, the assumptions of 13.2.1.3 apply.	

"to be continued"

Table H.1 (continued)

Component	Possible failure exclusion					Conditions	Remarks
	Open circuit	Short circuit	Change to higher value	Change to lower value	Change of function		
3 Miscellaneous (continued)							
3.6 Printed circuit board (PCB)	NO	(a)				<p>(a) The short circuit can be excluded provided:</p> <ul style="list-style-type: none"> - the general specifications of PCB are in accordance with EN 62326-1; - the base material is in accordance to the specifications of EN 60249-2-3 and/or EN 60249-2-2; - the PCB is constructed according to the above requirements and the minimum values are according to the tables (taken over from IEC 60664-1) with the conditions: <ul style="list-style-type: none"> - the pollution degree is 3; - the material group is III; - inhomogeneous field. <p>The column "printed wiring material" of table 4 is not used.</p> <p>That means that the creepage distances are 4 mm and the clearances 3 mm for 250 V_{rms}. For other voltages refer to IEC 60664-1.</p> <p>If the protection of the PCB is IP 5X or better, or the material involved of higher quality, the creepage distances can be reduced to the clearance value, e.g. 3 mm for 250 V_{rms}. For multi-layer boards comprising at least 3 prepreg or other thin sheet insulating materials short circuit can be excluded (see EN 60950).</p>	

"to be continued"

Table H.1 (ending)

Component	Possible failure exclusion					Conditions	Remarks
	Open circuit	Short circuit	Change to higher value	Change to lower value	Change of function		
4 Assembly of components on printed circuit board (PCB)	NO	(a)				(a) Short circuit can be excluded under circumstances where the short circuit of the component itself can be excluded and the component is mounted in a way that the creeping distances and clearances are not reduced below the minimum acceptable values as listed in 3.1 and 3.6 of this table , neither by the mounting technique nor by the PCB itself.	

NOTE Design guidelines.

Some dangerous situations are recognized coming from the possibility of bridging one or several safety contacts by short circuiting or by local interruptions of common lead (earth) combined with one or several other failures. It is good practice to follow the recommendations given below, when information is collected from the safety chain for control purposes, for remote control, alarm control, etc.:

- design the board and circuits with distances in accordance with specifications **3.1** and **3.6** of **table H.1**;
- organize common of the connections to the safety chain on the printed circuit board so that the common to the contactors or relay-contactors as mentioned in **14.1.2.4** will switch off at interruption of the common lead on the printed board;
- make always failure analyses for the safety circuits as mentioned in **14.1.2.3** and in accordance with EN 1050. If modifications or additions are made after the lift installation the failure analyses involving new and existing equipment must be carried out again;
- always use outside (out of element) resistors as protective devices of input elements;
- internal resistor of the device should not be considered as safe;
- components shall only be used within to the manufacturer specification;
- backwards voltage coming from electronics must be considered. Using galvanically separated circuits can solve the problems in some cases;
- electrical installations regarding to earthing should be in accordance with HD 384.5.54 S1. In that case, the interruption of the earth from the building to the controller collection bar (rail) can also be excluded.

Annex J (normative)

Pendulum shock tests

J.1 General

Due to the fact that a European standard does not exist for pendulum shock tests on glass (see CEN/TC 129), tests to fulfil the requirements of **7.2.3.1**, **8.3.2.1** and **8.6.7.1** shall be carried out according to the following prescriptions.

J.2 Test rig

J.2.1 Hard pendulum shock device

The hard pendulum shock device shall be a body according to **figure J.1**. This body consists of a shock ring made of steel S 235 JR, according to EN 10025 and a case made of steel E 295, according to EN 10025. The overall mass of this body will be brought up to $10 \text{ kg} \pm 0,01 \text{ kg}$ by filling with lead balls of a diameter of $3,5 \text{ mm} \pm 0,25 \text{ mm}$.

J.2.2 Soft pendulum shock device

The soft pendulum shock device shall be a small shot bag according to **figure J.2** made of leather, which is filled with lead balls of a diameter of $3,5 \text{ mm} \pm 1 \text{ mm}$ up to an overall mass of $45 \text{ kg} \pm 0,5 \text{ kg}$.

J.2.3 Suspension of the pendulum shock device

The pendulum shock device shall be suspended by a wire rope of $\sim 3 \text{ mm}$ diameter in such a way that the horizontal distance between the outer edge of the free hanging shock device and the panel to be tested does not exceed 15 mm .

The pendulum length (lower end of the hook to reference point of the shock device) shall be at least $1,5 \text{ m}$.

J.2.4 Pulling and triggering device

The suspended pendulum shock device shall be swung away from the panel by a pulling and triggering device and thus lifted to the falling height required in **J.4.2** and **J.4.3**. The triggering device shall not give an additional impulse to the pendulum shock device in the moment of releasing.

J.3 Panels

A panel of doors shall be complete including its guidance elements; a panel of walls shall have the intended size and fixations. The panels shall be fixed to a frame or other appropriate construction in such a way that at the fixation points, no deformations under test conditions are possible (stiff fixation).

A panel shall be submitted to the tests in the intended manufacturing finish (machined edges, holes, etc.).

J.4 Test procedure

J.4.1 The tests shall be carried out at a temperature of $23\text{ °C} \pm 2\text{ °C}$. The panels shall be stored directly before the tests at least 4 hours at that temperature.

J.4.2 The hard pendulum shock test shall be carried out with the device according to **J.2.1** with a falling height of 500 mm (see **figure J.3**).

J.4.3 The soft pendulum shock test shall be carried out with the device according to **J.2.2** with a falling height of 700 mm (see **figure J.3**).

J.4.4 The pendulum shock device shall be brought to the required falling height and released. It shall hit the panel in the middle of its width and at a height of $1,0\text{ m} \pm 0,05\text{ m}$ above the floor level intended for the panel.

The falling height is the vertical distance between the reference points (see **figure J.3**).

J.4.5 One test only is required for each of the devices called for in **J.2.1** and **J.2.2**. The two tests shall be carried out on the same panel.

J.5 Interpretation of the results

The requirements of the standard are fulfilled if after the tests there:

- a) is no total damage of the panel;
- b) are no cracks in the panel;
- c) are no holes in the panel;
- d) is no leaving its guiding elements;
- e) is no permanent deformation of the guiding elements;
- f) is no damage on the surface of the glass except a mark of 2 mm maximum in diameter without cracks and after successful repetition of the soft pendulum test.

J.6 Test report

The test report shall contain at least the following information:

- a) name and address of the laboratory having made the tests;
- b) date of the tests;
- c) dimensions and construction of the panel;
- d) fixation of the panel;
- e) falling height of the tests;
- f) number of tests carried out;
- g) signature of the responsible for these tests.

J.7 Exceptions from the tests

The pendulum shock tests need not be made, if panels according to the tables J.1 and J.2 are used, since they are known to fulfil the tests.

It should be noted that National Building Regulations may demand higher requirements.

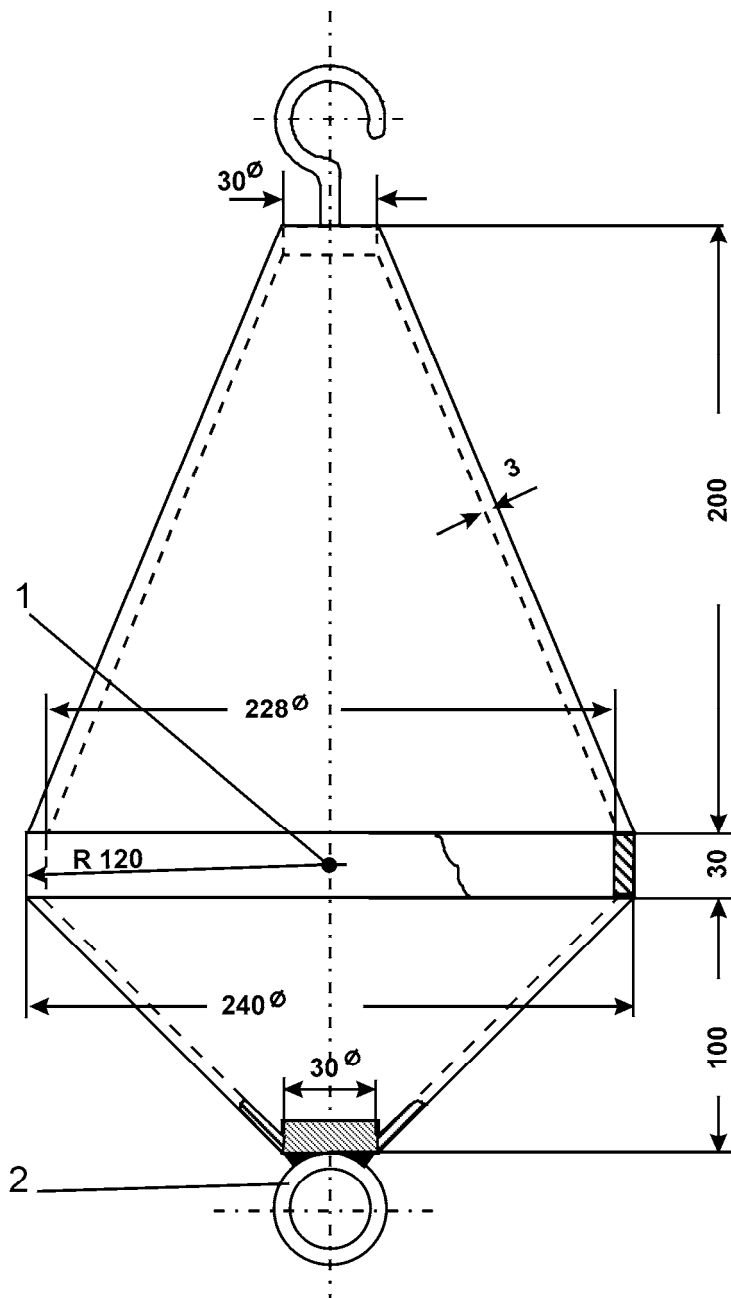
Table J.1 — Plane glass panels to be used in walls of the car

Type of glass	Diameter of inscribed circle	
	1 m maximum	2 m maximum
	Minimum thickness (mm)	Minimum thickness (mm)
Laminated toughened	8 (4 + 4 + 0,76)	10 (5 + 5 + 0,76)
Laminated	10 (5 + 5 + 0,76)	12 (6 + 6 + 0,76)

Table J.2 — Plane glass panels to be used in horizontally sliding doors

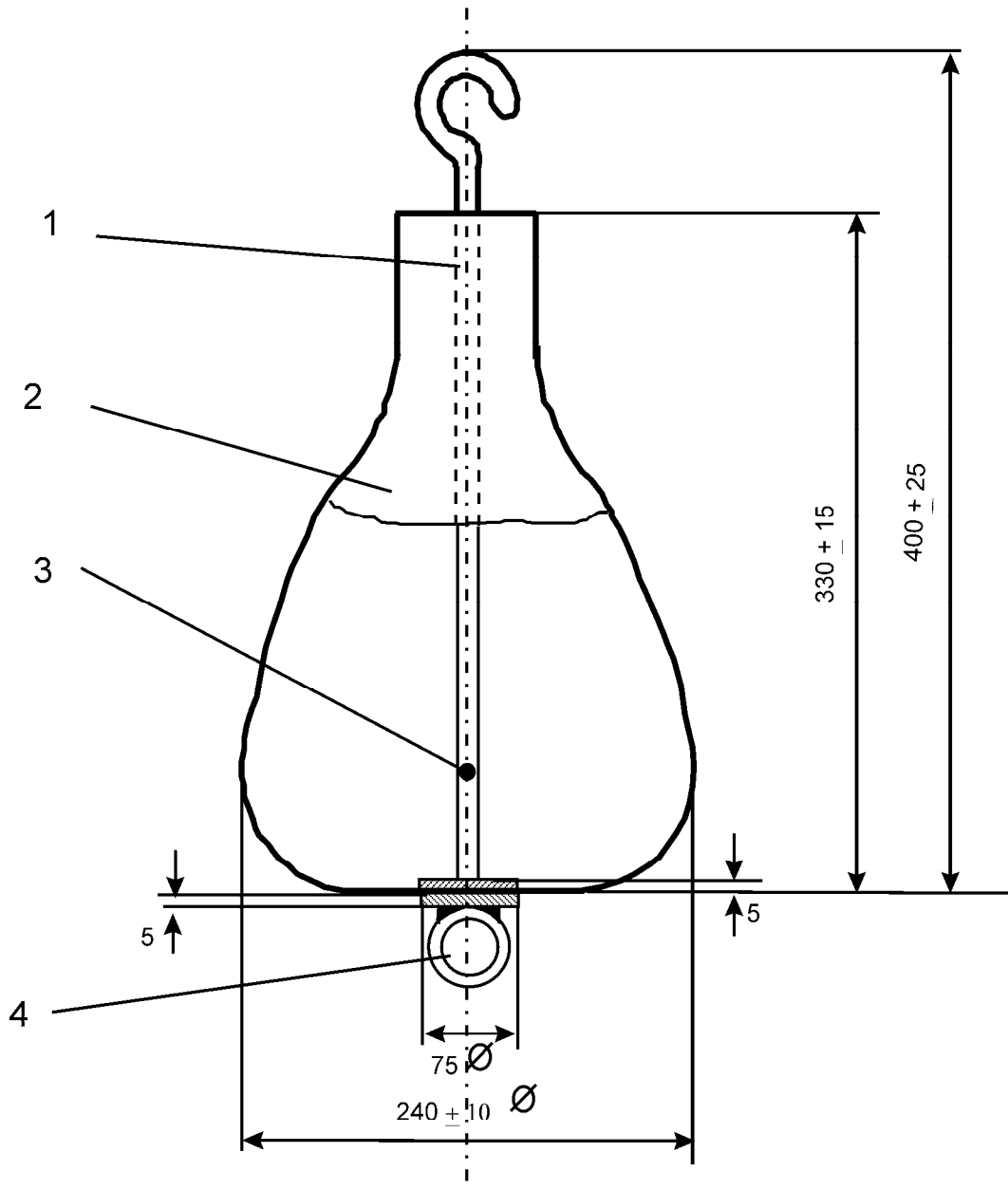
Type of glass	Minimum thickness (mm)	Width (mm)	Free door height (m)	Fixing of the glass panels
Laminated toughened	16 (8 + 8 + 0,76)	360 to 720	2,1 max	2 fixings upper and lower
Laminated	16 (8 + 8 + 0,76)	300 to 720	2,1 max	3 fixings upper/lower and one side
	10 (6 + 4 + 0,76) (5 + 5 + 0,76)	300 to 870	2,1 max	all sides

The values of this table are valid under the condition that in case of 3- or 4- side fixing the profiles are rigidly connected to another.



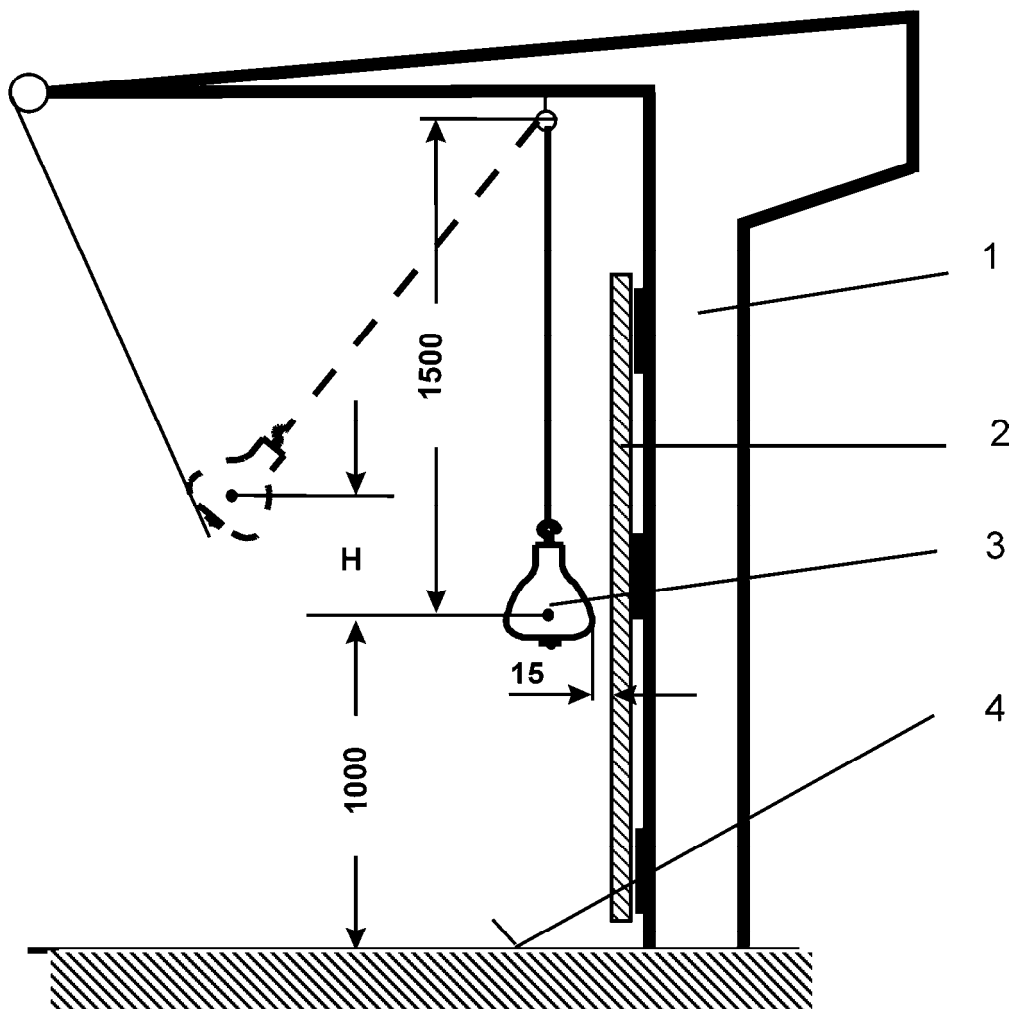
- ① shocking ring
- ② reference point for measuring the falling height
- ③ triggering device attachment

Figure J.1 — Hard pendulum shock device



- ① screwed rod
- ② reference point for measuring the falling height in the plane of the maximum diameter
- ③ leather bag
- ④ steel disk
- ⑤ triggering device attachment

Figure J.2 — Soft pendulum shock device

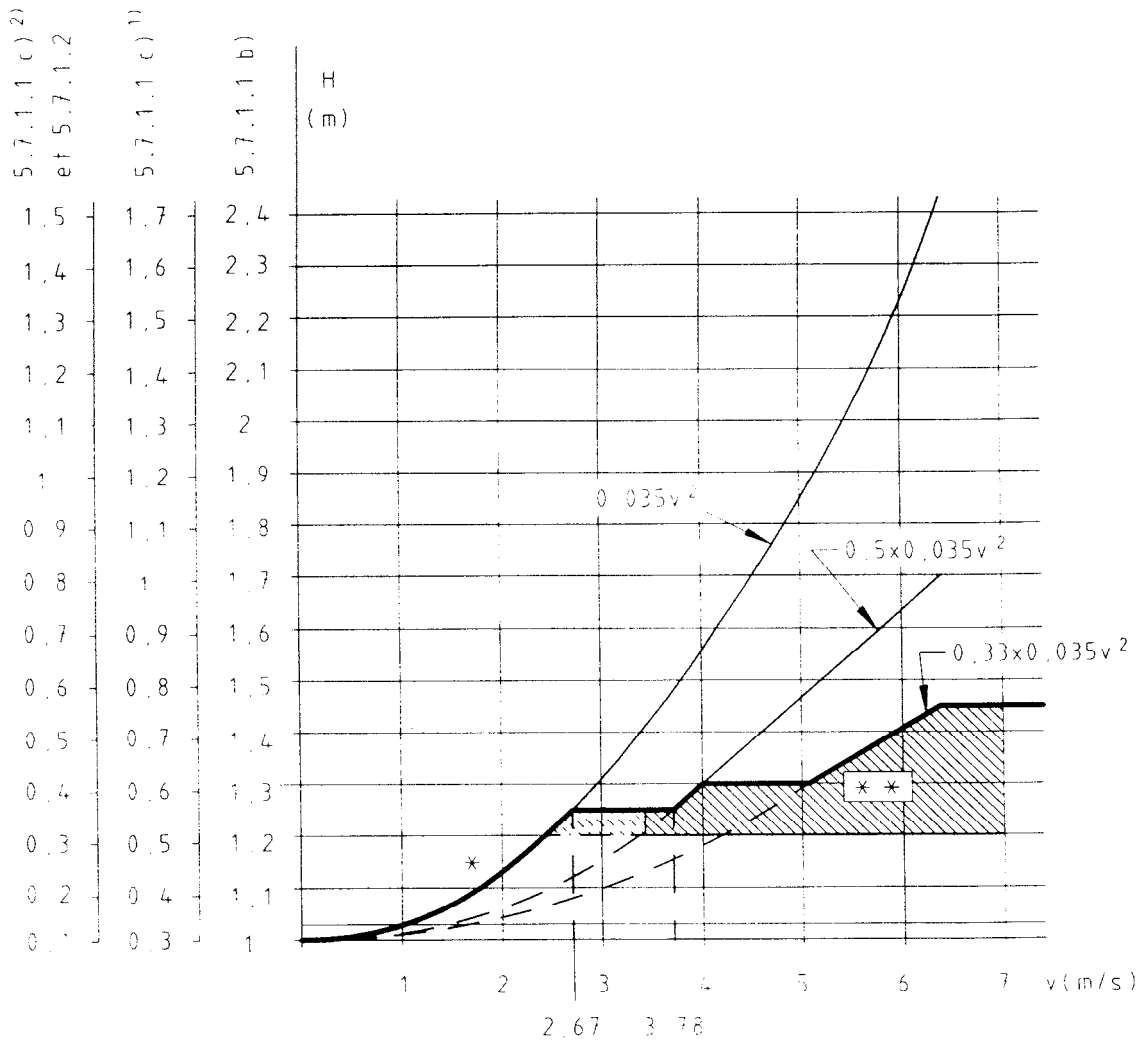


- ① frame
- ② glass panel to be tested
- ③ shock device
- ④ floor level with respect to the glass panel to be tested
- H falling height

Figure J.3 — Test rig falling height

Annex K
(normative)

Top clearances for traction drive lifts



V rated speed
H top clearances

*) In heavy lines: minimum clearance possible when maximum advantage is taken of the possibilities afforded in 5.7.1.3.

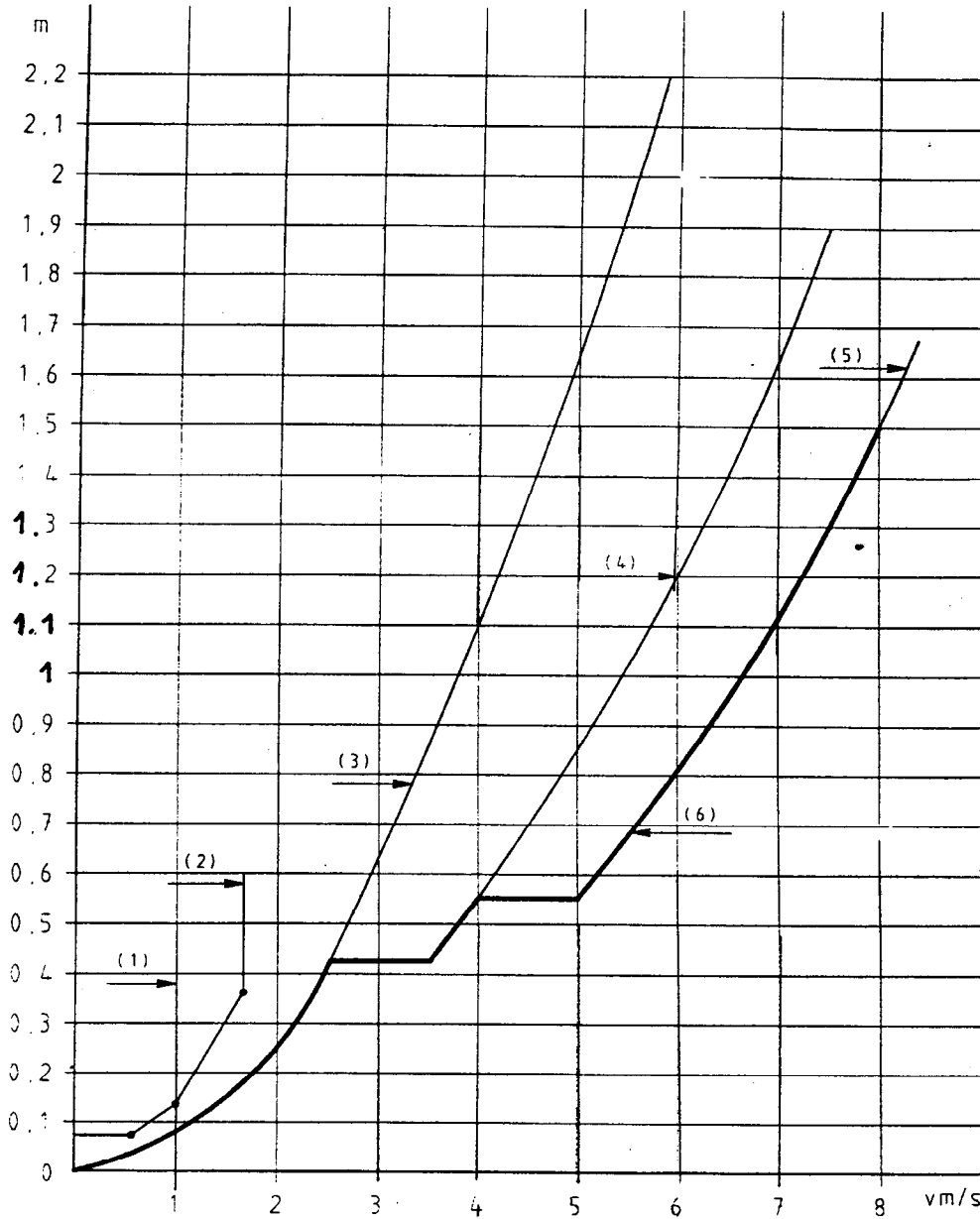
**) Area of values which can be obtained by calculations in accordance with 5.7.1.4 in the case of lifts with compensation pulleys fitted with an anti-rebound device. This device is only required for rated speeds of over 3,5 m/s but is not prohibited for lower speeds.

These values depend on the design of the anti-rebound device and the travel of the lift.

Figure K.1 — Graph illustrating the top clearances for traction drive lifts (5.7.1)

Annex L
 (normative)

Necessary buffer stroke



- | | | | |
|---|--|---|--|
| s | buffer stroke | ③ | energy dissipation without reduction in stroke
(AC1)10.4.3.1(AC1) |
| v | rated speed | ④ | energy dissipation reduction 0,5 (10.4.3.2 a) |
| ① | energy accumulation (10.4.1.1) | ⑤ | energy dissipation reduction 0,33 (10.4.3.2 b) |
| ② | energy accumulation with buffered return movement (10.4.2) | ⑥ | heavy line- minimum stroke possible when advantage is taken of all the possibilities in 10.4.3 |

Figure L.1 — Graph illustrating the strokes required for buffers (10.4)

Annex M (informative)

Traction evaluation

M.1 Introduction

Traction should be ensured at all times taking into account:

- normal travel;
- loading the car at floor level;
- and retardation due to an emergency stop.

Nevertheless, considerations must be given to allow slip to occur if the car is stalled in the well for any reason.

The following dimensioning procedure is a guidance which can be used for the evaluation of traction in the traditional applications which include steel wire ropes and steel/cast iron sheaves and machines above well.

The results are - as shown by experience - safe due to built-in safety margins. Therefore the following elements need not to be taken into consideration in detail:

- rope construction;
- type and amount of lubrication;
- material of sheaves and ropes;
- manufacturing tolerances.

M.2 Traction calculation

The following formulae have to be applied:

$$\frac{T_1}{T_2} \leq e^{f\alpha} \quad \text{for car loading and emergency braking conditions;}$$

$$\frac{T_1}{T_2} \geq e^{f\alpha} \quad \text{for car stalled conditions (counterweight resting on the buffers and the machine rotating in the "up" direction);}$$

where:

f = friction factor;

α = angle of wrap of the ropes on the traction sheave;

T_1, T_2 = forces in the portion of the ropes situated at either side of the traction sheave.

M.2.1 Evaluation of T_1 and T_2

M.2.1.1 Car loading condition

The static ratio T_1/T_2 has to be evaluated for the worst case depending on the position of the car in the well with 125 % of the rated load. The case **8.2.2** requires special treatment, if not covered by the factor 1,25 for the load.

M.2.1.2 Emergency braking condition

The dynamic ratio T_1/T_2 has to be evaluated for the worst case depending on the position of the car in the well and the load conditions (empty, or with rated load).

Each moving element should be considered with its proper rate of acceleration, taking into account the reeving ratio of the installation.

In no case the rate of acceleration to consider will be less than:

- 0,5 m/s² for normal case;
- 0,8 m/s² when reduced stroke buffers are used.

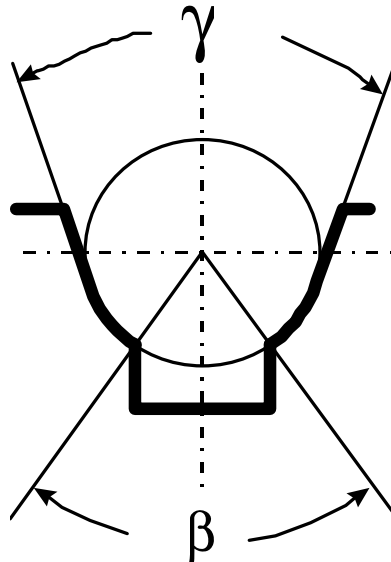
M.2.1.3 Car stalled condition

The static ratio T_1/T_2 has to be evaluated for the worst case depending on the position of the car in the well and the load conditions (empty, or with rated load).

M.2.2 Evaluation of the friction factor

M.2.2.1 Grooving considerations

M.2.2.1.1 Semi-circular and semi-circular undercut grooves



β : undercut angle
 γ : groove angle

Figure M.1 — Semi-circular groove, undercut

The following formula should be used:

$$f = \mu \cdot \frac{4 \left(\cos \frac{\gamma}{2} - \sin \frac{\beta}{2} \right)}{\pi - \beta - \gamma - \sin \beta + \sin \gamma}$$

where:

β = value of the undercut angle;

γ = value of the groove angle;

μ = friction coefficient;

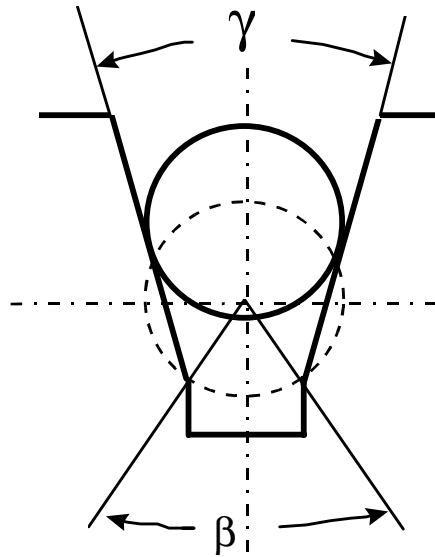
f = friction factor.

The maximum value of the undercut angle β should not exceed 106° (1,83 rad.), which corresponds to 80 % undercut.

The value of the groove angle γ should be given by the manufacturer according to the grooving design. In no case it should be less than 25° (0,43 rad.).

M.2.2.1.2 V-grooves

Where the groove has not been submitted to an additional hardening process, in order to limit the deterioration of traction due to wear, an undercut is necessary.



β : undercut angle
 γ : groove angle

Figure M.2 — V-groove

The following formulae apply:

— in the case of car loading and emergency braking:

$$f = \mu \cdot \frac{4 \left(1 - \sin \frac{\beta}{2} \right)}{\pi - \beta - \sin \beta} \quad \text{for non-hardened grooves;}$$

$$f = \mu \cdot \frac{1}{\sin \frac{\gamma}{2}} \quad \text{for hardened grooves;}$$

— in the case of car stalled conditions:

$$f = \mu \cdot \frac{1}{\sin \frac{\gamma}{2}} \quad \text{for hardened and non-hardened grooves}$$

where:

β = value of the undercut angle;

γ = value of the groove angle;

μ = friction coefficient;

f = friction factor.

The maximum value of the undercut angle β should not exceed 106° (1,83 rad.), which corresponds to 80 % undercut. In no case, angle γ should be less than 35° for lifts.

M.2.2.2 Friction coefficient consideration

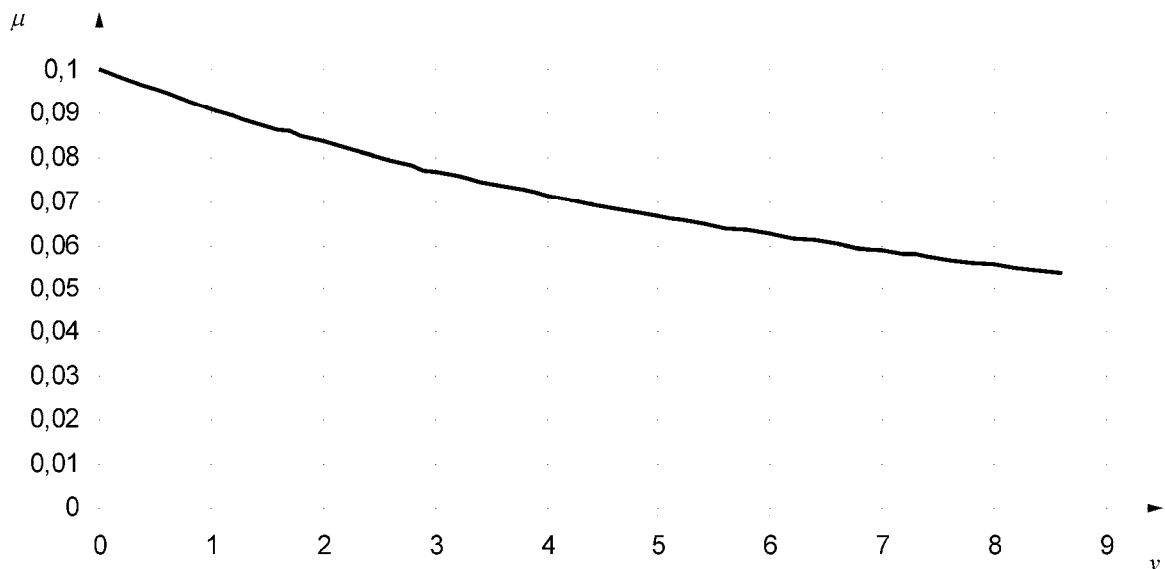


Figure M.3 — Minimum friction coefficient

The following values apply:

— loading conditions $\mu = 0,1$;

— emergency braking conditions $\mu = \frac{0,1}{1 + \frac{v}{10}}$,

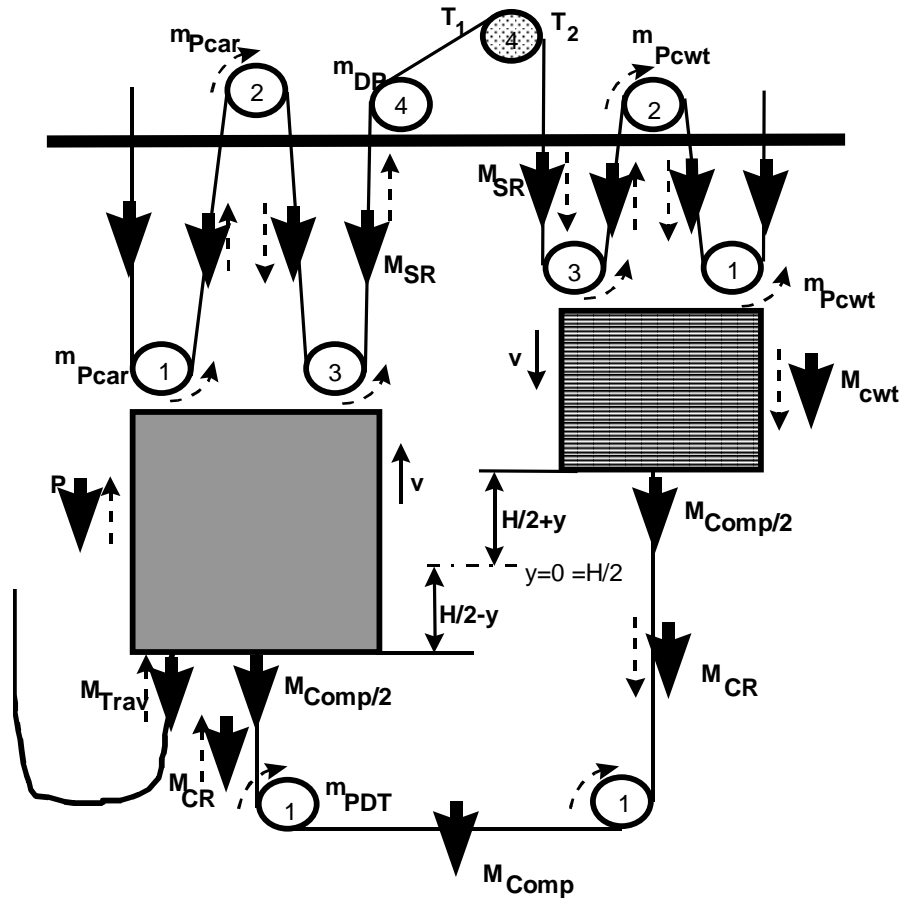
— car stalled conditions $\mu = 0,2$

where:

μ = friction coefficient;

v = rope speed at rated speed of the car.

M.3 Practical example



1, 2, 3, 4 = speed factor of pulleys (example: 2 = 2 · v_{car}).

Figure M.4 — General case

The following formulae apply:

$$T_1 = \frac{(P + Q + M_{CRcar} + M_{Trav}) \cdot (g_n \pm a)}{r} + \frac{M_{Comp}}{2 \cdot r} g_n + M_{SRcar} (g_n \pm r \cdot a) + \left(-\frac{2 \cdot m_{PDT}}{r} a \right)^I$$

$$\pm (m_{DP} \cdot r \cdot a)^{II} \pm \left[M_{SRcar} \cdot a \left(\frac{r^2 - 2r}{2} \right) \pm \sum_{i=1}^{r-1} (m_{Pcar} \cdot i_{Pcar} \cdot a) \right]^{III} \pm \frac{FR_{car}}{r}$$

$$T_2 = \frac{M_{cwt} \cdot (g_n \pm a)}{r} + \frac{M_{Comp}}{2 \cdot r} g_n + M_{SRcwt} (g_n \pm r \cdot a) + \frac{M_{CRcwt}}{r} (g_n \pm a) + \left(-\frac{2 \cdot m_{PDT}}{r} a \right)^{IV}$$

$$\pm (m_{DP} \cdot r \cdot a)^{II} \pm \left[M_{SRcwt} \cdot a \left(\frac{r^2 - 2r}{2} \right) \pm \sum_{i=1}^{r-1} (m_{Pcwt} \cdot i_{Pcwt} \cdot a) \right]^V \pm \frac{FR_{cwt}}{r} \text{AC1}$$

$$\frac{T_2}{T_1} \leq e^{f \cdot \alpha}$$

Conditions:

- I = only the car in upper position;
- II = deflection pulley car or counterweight side;
- III = only for reeving > 1;
- IV = only the counterweight in upper position;
- V = only for reeving > 1.

where:

- m_{Pcar} = reduced mass of pulley on car side J_{Pcar}/R^2 in kilograms;
- m_{Pcwt} = reduced mass of pulley on counterweight side J_{Pcwt}/R^2 in kilograms;
- m_{PTD} = reduced mass of pulley for tension device (2 pulleys) J_{PTD}/R^2 in kilograms;
- m_{DP} = reduced mass of deflection pulley on car/counterweight side J_{DP}/R^2 in kilograms;
- n_S = number of suspension ropes;
- n_C = number of compensating ropes/chains;
- n_t = number of travelling cables;
- P = masses of the empty car and components supported by the car, i.e. part of the travelling cable, compensating ropes/chains (if any), etc. in kilograms;
- Q = rated load in kilograms;
- M_{cwt} = mass of counterweight including mass of pulleys in kilograms;
- M_{SR} = actual mass of suspension ropes ($[0,5 H \pm y] \times n_S \times$ rope weight per unit length) in kilograms;
- M_{SRcar} = mass M_{SR} on car side;
- M_{SRcwt} = mass M_{SR} on counterweight side;
- M_{CR} = actual mass of compensation ropes/chains ($[0,5 H \pm y] \times n_C \times$ rope weight per unit length) in kilograms;
- M_{CRcar} = mass M_{CR} on car side;
- M_{CRwt} = mass M_{CR} on counterweight side;

M_{Trav}	= actual mass of travelling cable ($[0,25 H \pm 0,5 y] \times n_t \times$ travelling cable weight per unit length) in kilograms;
M_{Comp}	= mass of tension device including mass of pulleys in kilograms;
FR_{car}	= frictional force in the well (efficiency of bearings car side and friction on guide rails, etc.) in newtons;
FR_{cwt}	= frictional force in the well (efficiency of bearings counterweight side and friction on guide rails, etc.) in newtons;
H	= travel height in metres;
y	= on the level $0,5 H \rightarrow y = 0$ in metres;
T_1, T_2	= force exerted on rope in newtons;
r	= reeving factor;
$\boxed{AC1} a$	= braking retardation (positive value) of the car in metres per square second; $\boxed{AC1}$
g_n	= standard acceleration of free fall in metres per square second;
i_{Pcar}	= number of pulleys on car side (without deflection pulleys);
i_{Pcwt}	= number of pulleys on counterweight side (without deflection pulleys);
\rightarrow	= static force;
\longrightarrow	= dynamic force;
f	= friction factor;
α	= angle of wrap of the ropes on the traction sheave.

Annex N (normative)

Evaluation of safety factor for suspension ropes

N.1 General

With reference to 9.2.2, this annex describes the method of evaluation of the safety factor "S_r" for the suspension ropes. The method takes into consideration:

- traditional materials used in the design of ropes drives for elements as steel/cast iron traction sheaves;
- steel wire ropes according to European standards;
- a sufficient life time of the ropes assuming a regular maintenance and inspection.

N.2 Equivalent number N_{equiv} of pulleys

The number of bends and the degree of severity of each bend cause deterioration of the rope. This is influenced by the type of grooves (U- or V- groove) and whether the bend is reversed or not.

The degree of severity of each bend can be equated to a number of simple bends.

A simple bend is defined by the rope travelling over a semi-circular groove where the radius of the groove is about 5 % to 6 % greater than the nominal rope radius.

The number of simple bends corresponds to an equivalent number of pulleys N_{equiv} , which can be derived from:

$$N_{equiv} = N_{equiv(t)} + N_{equiv(p)}$$

where:

$N_{equiv(t)}$ = the equivalent number of traction sheaves;

$N_{equiv(p)}$ = the equivalent number of deflection pulleys.

N.2.1 Evaluation of $N_{equiv(t)}$

Values of $N_{equiv(t)}$ can be taken from **table N.1**.

Table N.1

V-grooves	V-angle (γ)	--	35°	36°	38°	40°	42°	45°
	$N_{equiv(t)}$	--	18,5	15,2	10,5	7,1	5,6	4,0
U-<small>(AC₁)</small>-<small>(AC₁)</small>V-<small>(AC₁)</small> Undercut grooves	U-angle (β)	75°	80°	85°	90°	95°	100°	105°
	$N_{equiv(t)}$	2,5	3,0	3,8	5,0	6,7	10,0	15,2

For U-grooves without undercut: $N_{\text{equiv}(t)} = 1$.

N.2.2 Evaluation of $N_{\text{equiv}(p)}$

A reversed bend is only considered if the distance from the ropes contact on two consecutive stationary pulleys does not exceed 200 times the rope diameter.

$$N_{\text{equiv}(p)} = K_p \cdot (N_{ps} + 4 \cdot N_{pr})$$

where:

N_{ps} = number of pulleys with simple bends;

N_{pr} = number of pulleys with reversed bends;

K_p = factor of ratio between sheave and pulley diameters.

with

$$K_p = \left(\frac{D_t}{D_p} \right)^4$$

where:

D_t = diameter of the traction sheave;

D_p = average diameter of all pulleys, traction sheave excluded.

N.3 Safety factor

For a given design of rope drive the minimum value of safety factor can be selected from **figure N.1** taking into account the correct ratio of D_t/d_r and the calculated N_{equiv} .

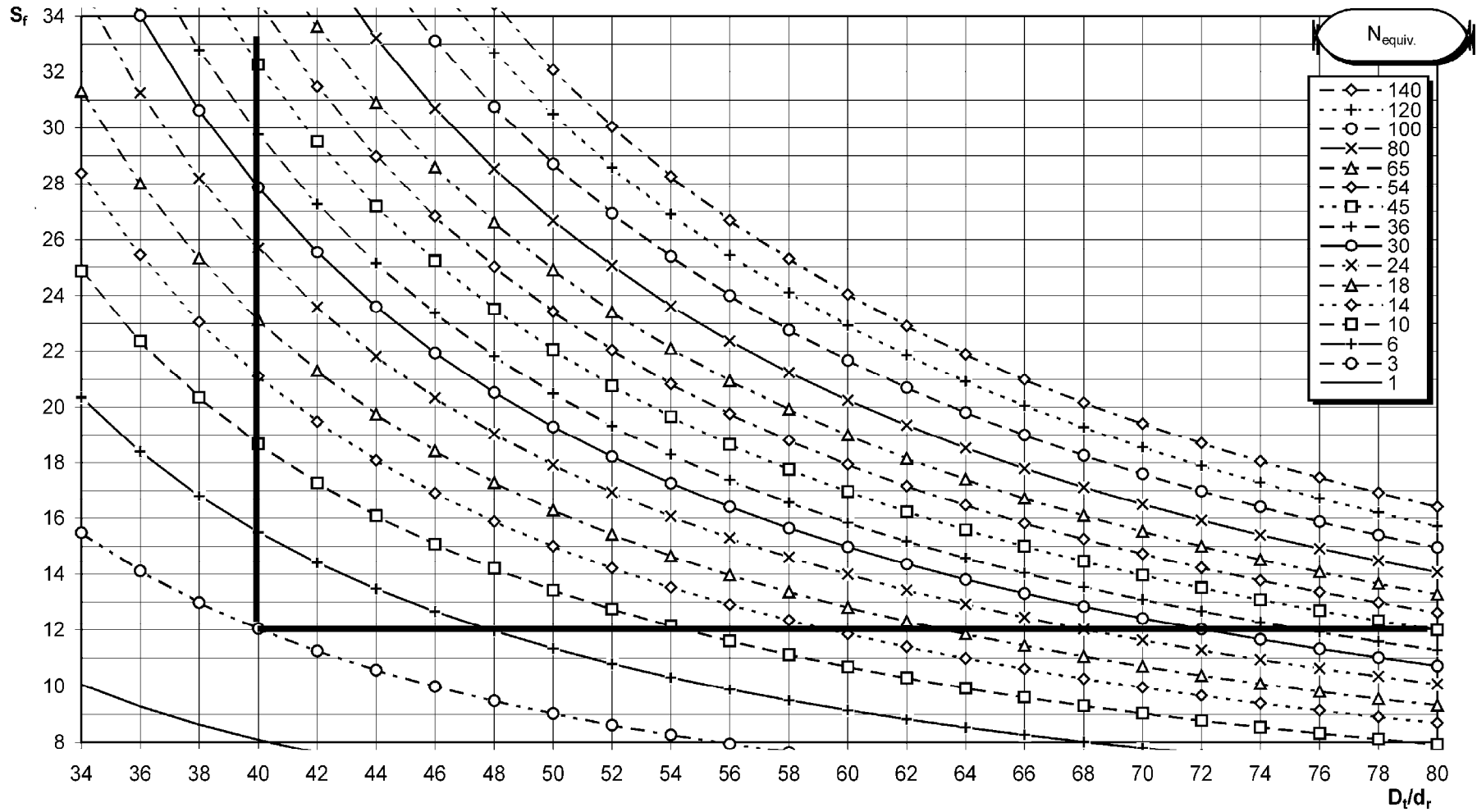


Figure N.1 — Evaluation of minimum safety factor

The curves of the **figure N.1** are based on the following formulae:

$$S_f = 10^{\left(\frac{2,6834 \cdot \log \left(\frac{695,85 \cdot 10^6 \cdot N_{equiv}}{\left(\frac{D_t}{d_r} \right)^{8,567}} \right)}{\log \left(77,09 \left(\frac{D_t}{d_r} \right)^{-2,894} \right)} \right)}$$

where:

S_f = safety factor;

N_{equiv} = equivalent number of pulleys;

D_t = diameter of traction sheave;

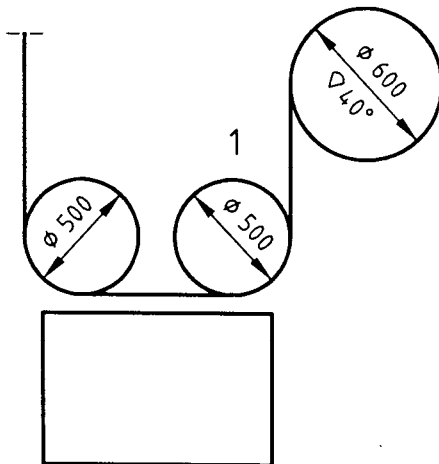
d_r = diameter of the ropes.

N.4 Examples

Examples of calculation of the equivalent number of pulleys N_{equiv} are given in **figure N.2**.

Example 1

AC1



$$V_{groove}, \gamma = 40^\circ$$

$$N_{equiv(t)} = 7,1$$

$$K_p = 2,07$$

$$N_{equiv(p)} = 2 \times 2,07 = 4,1$$

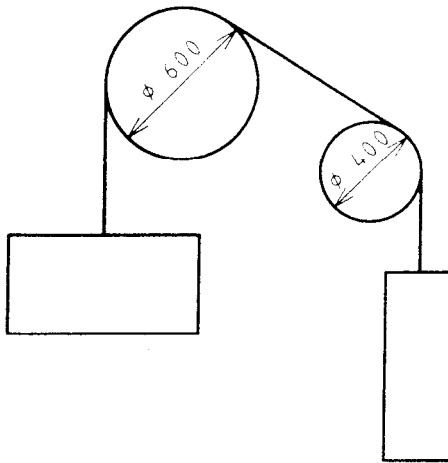
$$N_{equiv} = 11,2$$

AC1

(1) car side

NOTE No reversed bend because of moving pulley.

Example 2



undercut V_{groove} , $\gamma = 40^\circ$, $\beta = 90^\circ$

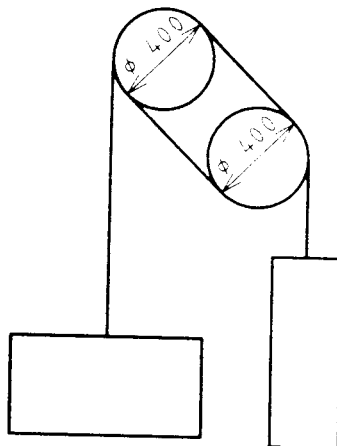
$$N_{equiv(t)} = 5$$

$$K_p = 5,06$$

$$N_{equiv(p)} = 5,06$$

$$N_{equiv} = 10,06$$

Example 3



$U_{grooves}$

$$N_{equiv(t)} = 1 + 1 \text{ (double wrap)}$$

$$K_p = 1$$

$$N_{equiv} = 4$$

Figure N.2 — Examples of calculation of the equivalent number of pulleys

Annex O
 (informative)

A₂ Machinery spaces - Access (6.1)

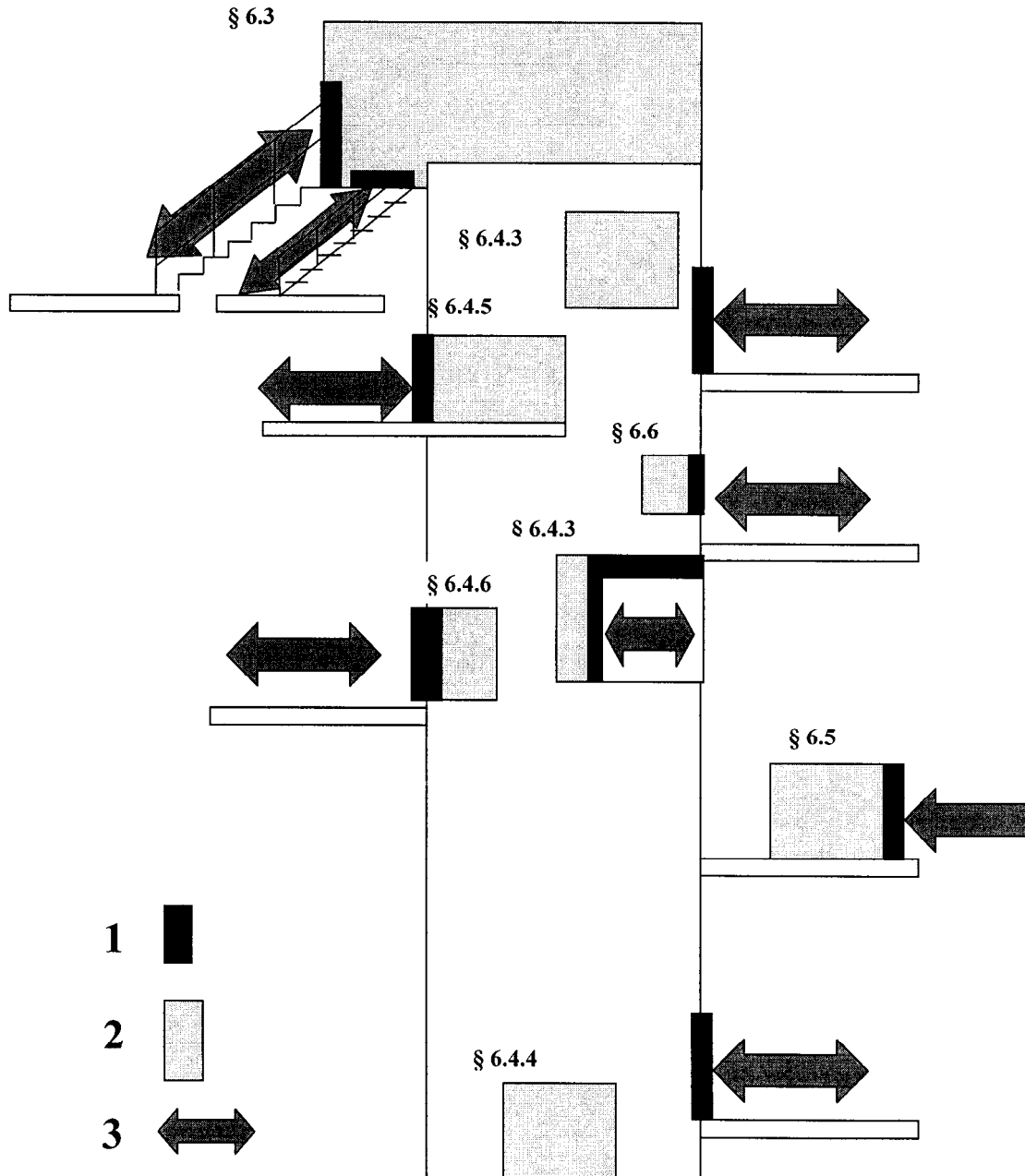


Figure O.1 - Machinery spaces - Access (6.1) A₂

Annex P (informative)

A₁ Description of possible measures

The following Table contains descriptions of possible measures which are considered to be helpful when fulfilling the requirements of 14.1.2.6:

Table P.1 - Description of possible measures to failure control

Components and functions	Measure No.	Description of measures
Structure	M 1.1	<p>One channel structure with self-test</p> <p><u>Description:</u> Even though the structure consists of a single channel, redundant output paths shall be provided to ensure a safe shutdown. Self-tests (cyclical) are applied to the sub-units of the PESSRAL at time intervals which may be application dependent. These tests (e.g. CPU tests or memory tests) are designed to detect latent failures which are independent of the data flow.</p> <p>A detected failure shall cause the system to go into a safe state.</p>
	M.1.2	<p>One channel structure with self-test and monitoring</p> <p><u>Description:</u> A one channel structure with self-test and monitoring consists of a separate hardware monitoring unit which, independent of the application, periodically receives test data from the system which might result from self-test procedures. In case of incorrect data, the system shall go into a safe state.</p> <p>At least two independent shut down paths are needed so that a shut down can be caused either by the processing unit itself or by the monitoring unit.</p>
	M.1.3	<p>Two channels or more with comparison</p> <p><u>Description:</u> Two-channel safety-related design consists of two independent and feedback-free functional units. This allows the specified functions to be processed independently in each channel. For a two-channel PESSRAL exclusively designed for the function of one safety device the design of the channels may be identical in terms of hardware and software. In the case of a two-channel PESSRAL used for complex solutions (e.g. combinations of several safety functions) and where the processes or conditions are not definitely verifiable, diversity for hardware and software should be considered.</p> <p>The structure includes a function which compares internal signals (e.g. bus comparison) and/or output signals which are relevant to safety functions in order to aid failure detection.</p> <p>At least two independent shut down paths are needed so that a shut down can be caused either by the channels themselves or by the comparator. The comparison itself also has to be subject to the failure recognition.</p>

Table P.1 (continued)



Components and functions	Measure No.	Description of measures
Processing units	M 2.1	<p>Failure correcting hardware</p> <p><u>Description:</u> Such units can be realised using special failure recognising or failure correcting circuit techniques. These techniques are known for simple structures.</p>
	M 2.2	<p>Self-test by software</p> <p><u>Description:</u> All the functions of the processing unit, which are used in the safety related application shall be tested cyclically. These tests can be combined with the test of the sub-components, e.g. memories, I/O's etc.</p>
	M.2.3	<p>Software self-test supported by hardware</p> <p><u>Description:</u> A special hardware facility is used for the failure detection which supports the self-test functions. For example, a monitoring unit which checks the periodic output of certain bit patterns.</p>
	M.2.4	<p>Comparator for 2 channel structures</p> <p><u>Description:</u></p>  <p>Two channels with hardware comparator:</p> <p>a) signals of both processing units are compared using a hardware unit cyclically or continuously. The comparator can be an externally tested unit or designed as a self-monitoring device <u>or</u></p> <p>b) signals of both channels are compared using a processing unit. The comparator can be an externally tested unit or designed as a self-monitoring device.</p>
	M.2.5	<p>Reciprocal comparison of 2 channels</p> <p><u>Description:</u></p>  <p>Two redundant processing units are used which exchange safety relevant data reciprocally. A comparison of the data is carried out by each unit.</p>

Table P.1 (continued)

Components and functions	Measure No.	Description of measures
Invariant Memory Ranges (ROM, EPROM...)	M 3.1	<p>Block safety procedure with one-word-redundancy (e.g. signature formation via ROM with single word width)</p> <p><u>Description:</u></p> <p>In this test, the contents of the ROM is compressed by a certain algorithm to at least one memory word. The algorithm e.g. cyclic redundancy check (CRC), can be realised using hardware or using software.</p>
	M 3.2	<p>Word saving with multi-bit-redundancy (e.g. modified hamming code)</p> <p><u>Description:</u></p> <p>Every word of the memory is extended by several redundant bits to produce a modified hamming code with a hamming distance of at least 4. Every time a word is read, one can determine whether a corruption has taken place by checking the redundant bits. If a difference is found, the system has to go into a safe state.</p>
	M 3.3	<p>Block safety procedure with block replication</p> <p><u>Description:</u></p> <p>The address space is equipped with two memories. The first memory is operated in the normal manner. The second memory contains the same information and is accessed in parallel to the first. The outputs are compared and a failure is assumed if a difference is detected. In order to detect certain kinds of bit errors, the data shall be stored inversely in one of the two memories and inverted once again when read. In the software procedure, the contents of both memory areas are compared cyclically using a program.</p>
	M 3.4	<p>Block safety procedure with multiword redundancy</p> <p><u>Description:</u></p> <p>This procedure calculates a signature using a CRC algorithm, but the resulting value is at least two words in size. The extended signature is stored, recalculated and compared as in a single-word case. A failure message is produced if a difference occurs.</p>
	M 3.5	<p>Word saving one bit redundancy (e.g. ROM monitoring with parity bit)</p> <p><u>Description:</u></p> <p>Every word of the memory is extended by one bit (the "parity" bit) which completes each word to an even or odd number of logical 1's. The parity of the data word is checked each time it is read. If the wrong number of 1's is found, a failure message is produced. The choice of even or odd parity should be made such that whichever of zero word (nothing but 0's) and the one word (nothing but 1's) is the more unfavourable in the event of failure, then that word is not a valid code. Parity can also be used to detect addressing failure, when the parity is calculated for the concatenation of the data word and its address.</p>

Table P.1 (continued)

Components and functions	Measure No.	Description of measures
Variable memory ranges	M 4.1	<p>Check via test pattern against static or dynamic faults, e.g. RAM test "walkpath"</p> <p><u>Description:</u> The memory range to be tested is initialised by a uniform bit stream . The first cell is then inverted and the remaining memory area is inspected to ensure that the background is correct. After this, the first cell is re-inverted to return to its original value and the whole process is repeated for the next. A second run of the "wandering bit model" is carried out with an inverse background pre-assignment. If a difference occurs the system has to go into a safe state</p>
	M.4.2	<p>Block safety procedures with block replication, e.g. double RAM with hardware or software comparison</p> <p><u>Description:</u> The address space is equipped with two memories. The first memory is operated in the normal manner. The second memory contains the same information and is accessed in parallel to the first. The outputs are compared and a failure is assumed if a difference is detected. In order to detect certain kinds of bit errors, the data shall be stored inversely in one of the two memories and inverted once again when read. In the software procedure, the contents of both memory areas are compared cyclically using a program.</p>
	M.4.3	<p>Inspection to check for static and dynamic failures e. g. "GALPAT"</p> <p><u>Description:</u></p> <p>a) RAM test "galpat": An inverse element is written into the standard pre assigned memory and then all the remaining cells are inspected to ensure that their contents are correct. After every reading access to one of the remaining cells, the inversely described cell is also inspected and read in addition to this. This process is repeated for every cell. A second run is carried out with an inverse pre-assignment. A failure is assumed if there is a difference; or</p> <p>b) Transparent "galpat" test: At the beginning of the test, a "signature" is formed using software or also hardware regarding the content of the memory range to be tested and this is stored in the register; this corresponds to the pre-assignment of the memory in the galpat test. The contents are now written into the test cell in an inverted way and inspects the contents of the remaining cells. The contents of the test cell are also read after every reading access to one of these cells. Since the contents of the remaining cells is indeed unknown, their contents are not inspected individually, but by forming a signature once again. After this first run for the first cell, a second run for this cell takes place with contents which have been inverted several times - therefore contents which are real again. Thus, the original contents of the memory are re established. All the other memory cells are tested in the same manner. A failure is assumed if there is a difference.</p>

Table P.1 (continued)

Components and functions	Measure No.	Description of measures
I / O units and interfaces	M 5.1	<p>Multi-channel parallel input</p> <p><u>Description:</u> This is a data flow dependent comparison of independent inputs complying with a defined tolerance area (time value).</p>
	M.5.2	<p>Output read back (monitored output)</p> <p><u>Description:</u> This is a data flow dependent comparison of outputs with independent inputs complying with a defined tolerance area (time, value). The failure cannot always be related to the defective output.</p>
	M.5.3	<p>Multi-channel parallel output</p> <p><u>Description:</u> This is a data flow dependent output redundancy. Failure recognition takes place directly via the technical process or via external comparators.</p>
	M.5.4	<p>Code safety</p> <p><u>Description:</u> This procedure protects the input and output information with regard to coincident failures and systematic failures. It provides data flow dependent failure recognition of the input and output units with information redundancy or/and time redundancy.</p>
	M.5.5	<p>Test pattern (model)</p> <p><u>Description:</u> This is a data flow independent cyclical test of input and output units carried out with the aid of defined testing pattern to compare observations with the corresponding expected values. The testing pattern information, the testing pattern reception and testing pattern evaluation have to be independent from each other. It has to be assumed that all possible input patterns are tested.</p>
Clock	M 6.1	<p>Watch dog with separate time base</p> <p><u>Description:</u> Hardware timer with separate time base triggered by correct operation of the program.</p>
	M.6.2	<p>Reciprocal monitoring</p> <p><u>Description:</u> Hardware timer with separate time base triggered by the correct operation of the program of the other processor.</p>
Program sequence	M 7.1	<p>Combination of timing and logical monitoring of program sequence</p> <p><u>Description:</u> A time based facility monitoring the program sequence is re-triggered only if the sequence of the program sections is executed correctly.</p>

Annex ZA (informative)

A3 Relationship between this European Standard and the Essential Requirements of EC Directive 95/16/EC amended by Directive 2006/42/EC

This European Standard has been prepared under a mandate given to CEN by the European Commission and the European Free Trade Association to provide a means of conforming to Essential Requirements of the New Approach Directive 95/16/EC amended by Directive 2006/42/EC.

Once this standard is cited in the Official Journal of the European Union under that Directive and has been implemented as a national standard in at least one Member State, compliance with the normative clauses of this standard confers, within the limits of the scope of this standard, a presumption of conformity with the relevant Essential Requirements of that Directive and associated EFTA regulations.

WARNING — Other requirements and other EU Directives may be applicable to the product(s) falling within the scope of this standard.

NOTE 1 Regarding 6.2, 6.3, 6.5 and 6.7 see clause 0.2.2 of this standard.

NOTE 2 Note of 5.2.1.2 implies that the installation of lifts with partially enclosed wells may be subject to the authorization of national authorities. **A3**

This page deliberately set blank

BSI - British Standards Institution

BSI is the independent national body responsible for preparing British Standards. It presents the UK view on standards in Europe and at the international level. It is incorporated by Royal Charter.

Revisions

British Standards are updated by amendment or revision. Users of British Standards should make sure that they possess the latest amendments or editions.

It is the constant aim of BSI to improve the quality of our products and services. We would be grateful if anyone finding an inaccuracy or ambiguity while using this British Standard would inform the Secretary of the technical committee responsible, the identity of which can be found on the inside front cover. Tel: +44 (0)20 8996 9000. Fax: +44 (0)20 8996 7400.

BSI offers members an individual updating service called PLUS which ensures that subscribers automatically receive the latest editions of standards.

Buying standards

Orders for all BSI, international and foreign standards publications should be addressed to Customer Services. Tel: +44 (0)20 8996 9001. Fax: +44 (0)20 8996 7001 Email: orders@bsigroup.com You may also buy directly using a debit/credit card from the BSI Shop on the Website <http://www.bsigroup.com/shop>

In response to orders for international standards, it is BSI policy to supply the BSI implementation of those that have been published as British Standards, unless otherwise requested.

Information on standards

BSI provides a wide range of information on national, European and international standards through its Library and its Technical Help to Exporters Service. Various BSI electronic information services are also available which give details on all its products and services. Contact Information Centre. Tel: +44 (0)20 8996 7111 Fax: +44 (0)20 8996 7048 Email: info@bsigroup.com

Subscribing members of BSI are kept up to date with standards developments and receive substantial discounts on the purchase price of standards. For details of these and other benefits contact Membership Administration. Tel: +44 (0)20 8996 7002 Fax: +44 (0)20 8996 7001 Email: membership@bsigroup.com

Information regarding online access to British Standards via British Standards Online can be found at <http://www.bsigroup.com/BSOL>

Further information about BSI is available on the BSI website at <http://www.bsigroup.com>

Copyright

Copyright subsists in all BSI publications. BSI also holds the copyright, in the UK, of the publications of the international standardization bodies. Except as permitted under the Copyright, Designs and Patents Act 1988 no extract may be reproduced, stored in a retrieval system or transmitted in any form or by any means – electronic, photocopying, recording or otherwise – without prior written permission from BSI.

This does not preclude the free use, in the course of implementing the standard, of necessary details such as symbols, and size, type or grade designations. If these details are to be used for any other purpose than implementation then the prior written permission of BSI must be obtained.

Details and advice can be obtained from the Copyright and Licensing Manager. Tel: +44 (0)20 8996 7070 Email: copyright@bsigroup.com